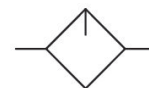


R412006232

## Series AS2

The AVENTICS Series AS2 is a modular, versatile maintenance unit for universal application. This Series offers compact dimensions, is highly efficient, lightweight and easy-to-use. The AVENTICS Series AS guarantees reliability, safety, and efficiency with a simplified assembly and maintenance efforts.



## Technical data

|                             |   |
|-----------------------------|---|
| Industry                    | Industrial  |
| Parts                       | Lubricator  |
| Reservoir                   | reservoir, polycarbonate, with PA protective guard                |
| Lubricator version          | with level indicator  |
| Compressed air connection   | G 3/8   |
| Nominal flow Qn             | 3100 l/min  |
| Mounting orientation        | vertical  |
| Min. working pressure       | 0.5 bar   |
| Max. working pressure       | 16 bar  |
| Min. ambient temperature    | -10 °C  |
| Max. ambient temperature    | 50 °C   |
| Medium                      | Compressed air<br>Neutral gases                                   |
| Type of filling             | Semi-automatic oil filling during operation<br>Manual oil filling |
| Lubricator reservoir volume | 40 cm <sup>3</sup>  |
| Protective guard            | with protective guard   |
| Oil dosing at 1000 l/min    | 1-2 drops   |
| Function                    | Oil-mist lubricator   |

R412006232

---

|          |                              |
|----------|------------------------------|
| Function | Can be assembled into blocks |
| Weight   | 0.229 kg                     |

## Material

|                           |                                 |
|---------------------------|---------------------------------|
| Housing material          | Polyamide                       |
| Material front plate      | Acrylonitrile butadiene styrene |
| Seal material             | Acrylonitrile butadiene rubber  |
| Material threaded bushing | Die cast zinc                   |
| Material reservoir        | Polycarbonate                   |
| Material protective guard | Polyamide                       |
| Part No.                  | R412006232                      |

## Technical information

The pressure dew point must be at least 15 °C less than ambient and medium temperature and may not exceed 3 °C.

Electrical level detection only with ST6 sensor with reed contact, sensor holder included in the scope of the delivery.

Sensor not included in scope of delivery, sensor installation prepared.

The entire preset drip quantity enters the pressure system.

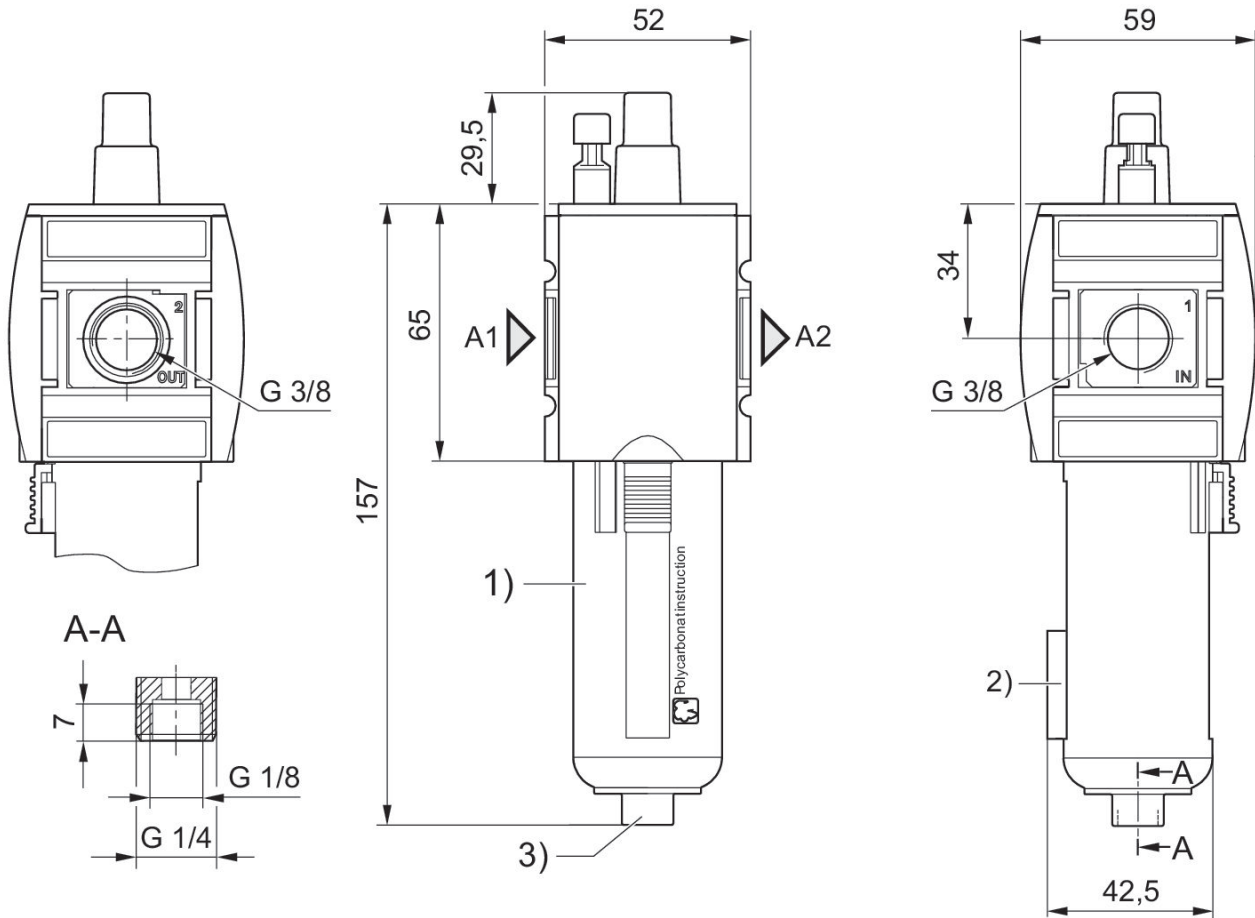
Manual oil filling possible during operation at a maximum operating pressure of 10 bar.

Note: Polycarbonate reservoirs are susceptible to solvents, supplementary information can be found at "Customer information".

A change in the flow direction (from air supply on the left to air supply on the right) occurs by rotating installation by 180° about the vertical axis. Please see the operating instructions for further details.

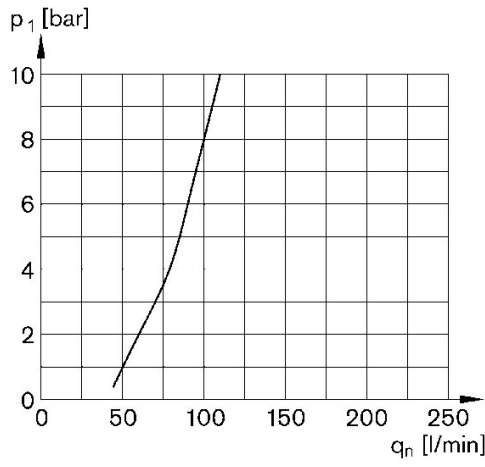
Nominal flow  $Q_n$  with secondary pressure  $p_2 = 6$  bar at  $\Delta p = 1$  bar

## Dimensions in mm



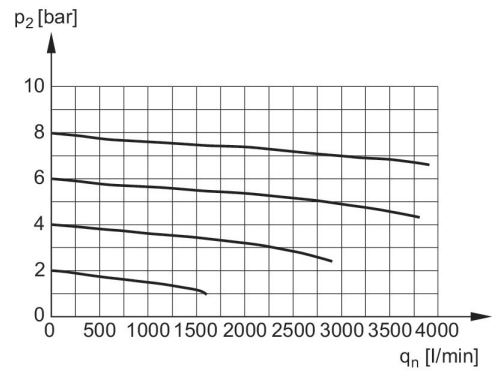
- A1 = input
- A2 = output
- 1) Plastic reservoir and protective guard with window
- 2) Holder for sensor
- 3) Port for semi-automatic oil filling

## Lubricator activation margin



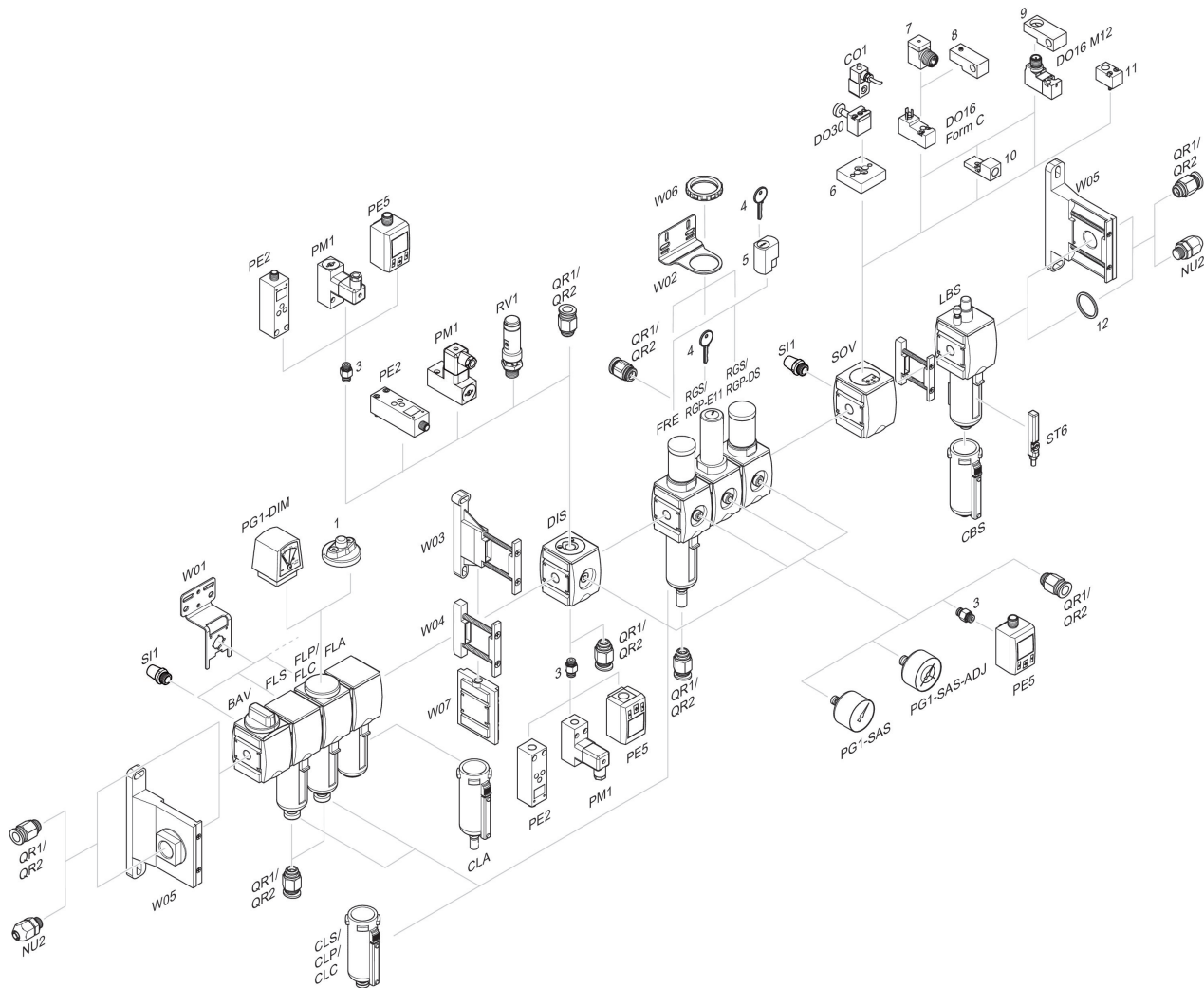
p<sub>1</sub> = Working pressure  
q<sub>n</sub> = Nominal flow

## Flow rate characteristic, p<sub>2</sub> = 0,05 - 7 bar



p<sub>2</sub> = Secondary pressure  
q<sub>n</sub> = Nominal flow

## Accessories overview



1 = contamination display 3 = Double nipple 4 = Key for E11 locking 5 = mortise lock 6 = Transition plate DO30 7 = Adapter, Series CON-VP 8 = Mounting aid DO16, form C 9 = Mounting aid DO16, M12 10 = Adapter for external pilot air 11 = Adapter pneumatic operation 12 = Sealing ring