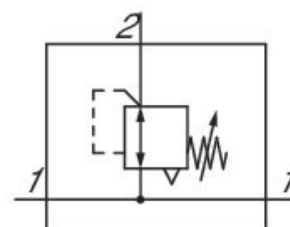


Precision pressure regulator, Series AS2- RGP-...-DS

R412006160

General series information Series AS2

- The AVENTICS Series AS2 is a modular, versatile maintenance unit for universal application. This Series offers compact dimensions, is highly efficient, lightweight and easy-to-use. The AVENTICS Series AS guarantees reliability, safety, and efficiency with a simplified assembly and maintenance efforts.



Technical data

Industry

Industrial

Function

Precision pressure regulator

Parts

Precision pressure regulator with continuous pressure supply

Port

G 1/4

Nominal flow Qn

2200 l/min

Pressure gauge

without pressure gauge

Mounting orientation

Any

Regulator type

Diaphragm-type pressure regulator

Regulation range min.

0.1 bar

Regulation range max.

1 bar

Working pressure min.

0.1 bar

Working pressure max

16 bar

Min. ambient temperature

-10 °C

Max. ambient temperature
50 °C

Activation
Mechanical

Regulator function
with relieving air exhaust

Regulator type
Can be assembled into blocks

Pressure supply
double

Lock type
lockable

with continuous pressure supply
with continuous pressure supply

Internal air consumption q_v max.
2.6 l/min

Medium
Compressed air
Neutral gases

Max. pressure gauge Ø in blocked state
50 mm

Weight
0.248 kg

Material

Housing material
Polyamide

Material front plate
Acrylonitrile butadiene styrene

Seal material
Acrylonitrile butadiene rubber

Material threaded bushing
Die cast zinc

Part No.
R412006160

Technical information

The pressure dew point must be at least 15 °C under ambient and medium temperature and may not exceed 3 °C .

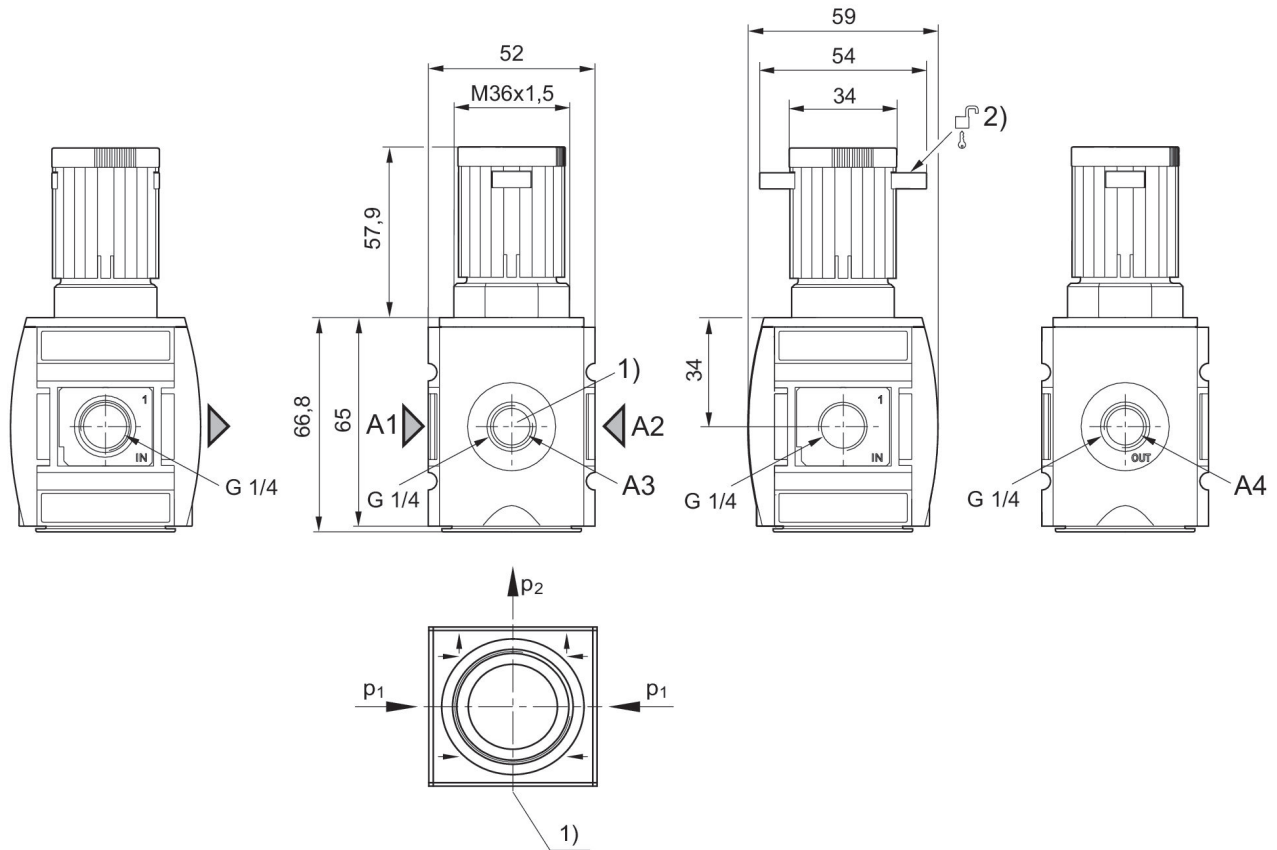
The rear pressure gauge connection on the pressure regulator is closed with a blanking plug, the front connection is open. Depending on the customer application, a second blanking plug may be necessary. Please order separately (see accessories).

Nominal flow Q_n with secondary pressure $p_2 = 6$ bar at $\Delta p = 1$ bar

Recommended pre-filter: 5 µm

Order pressure gauge separately

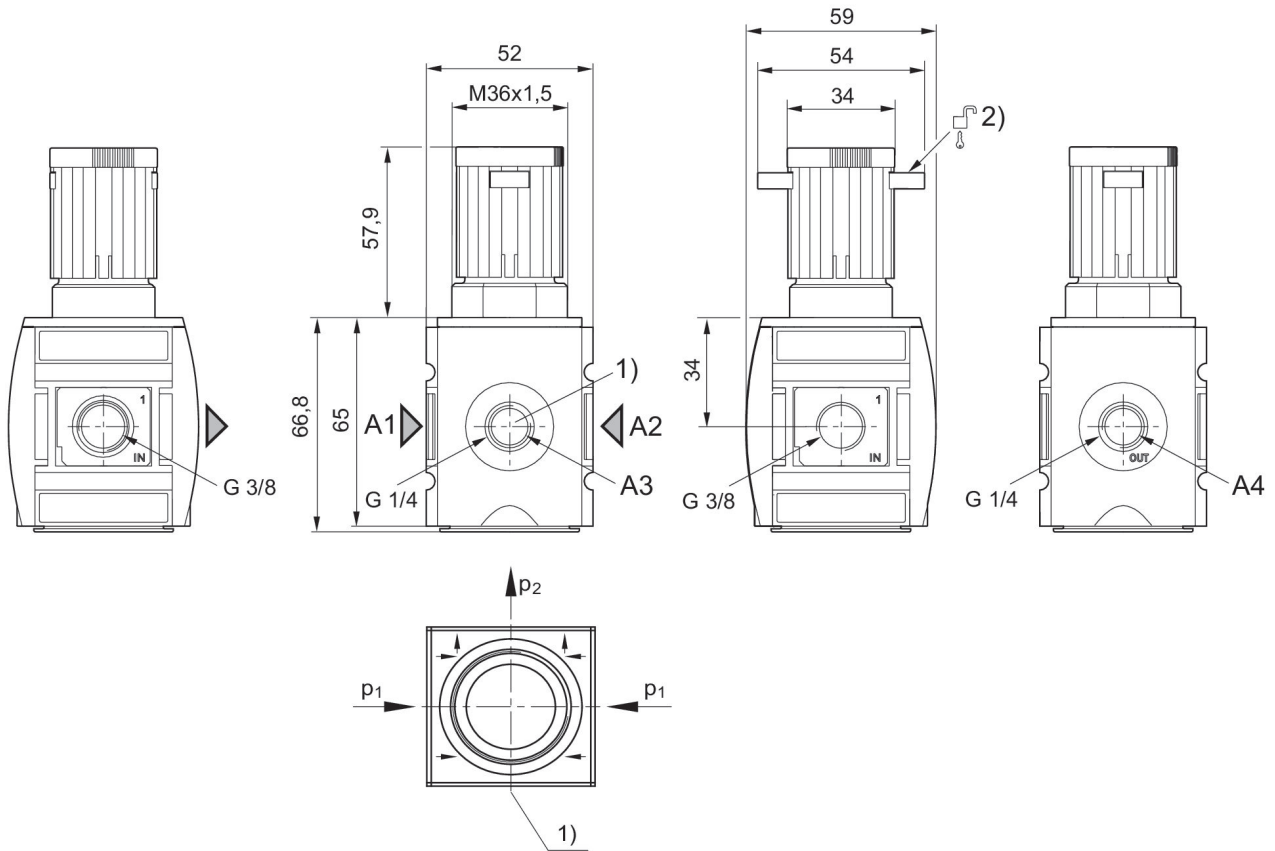
Dimensions in mm



A1 = input A2 = output A3 = pressure gauge connection
A4 = output
1) Pressure gauge connection
2) Mounting option for padlocks, max. shackle \varnothing 8

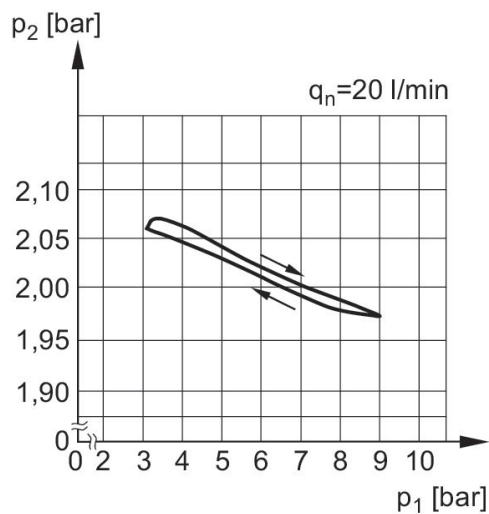
Dimensions in mm

Fig. 2



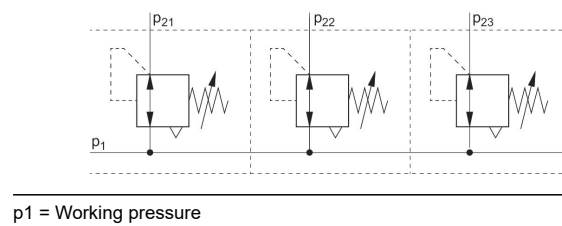
A1 = input A2 = output A3 = pressure gauge connection
A4 = output
1) Pressure gauge connection
2) Mounting option for padlocks, max. shackle \varnothing 8

Pressure characteristics curve

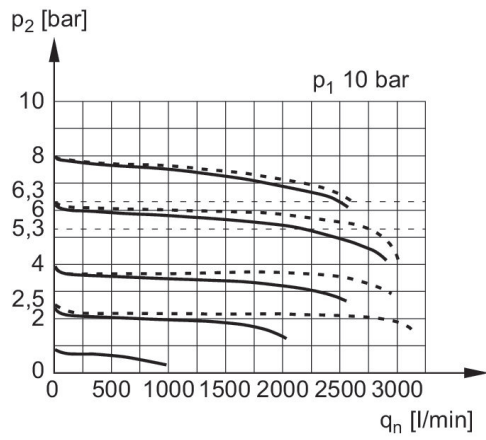


p_1 = Working pressure p_2 = Secondary pressure q_n = Nominal flow

Application example

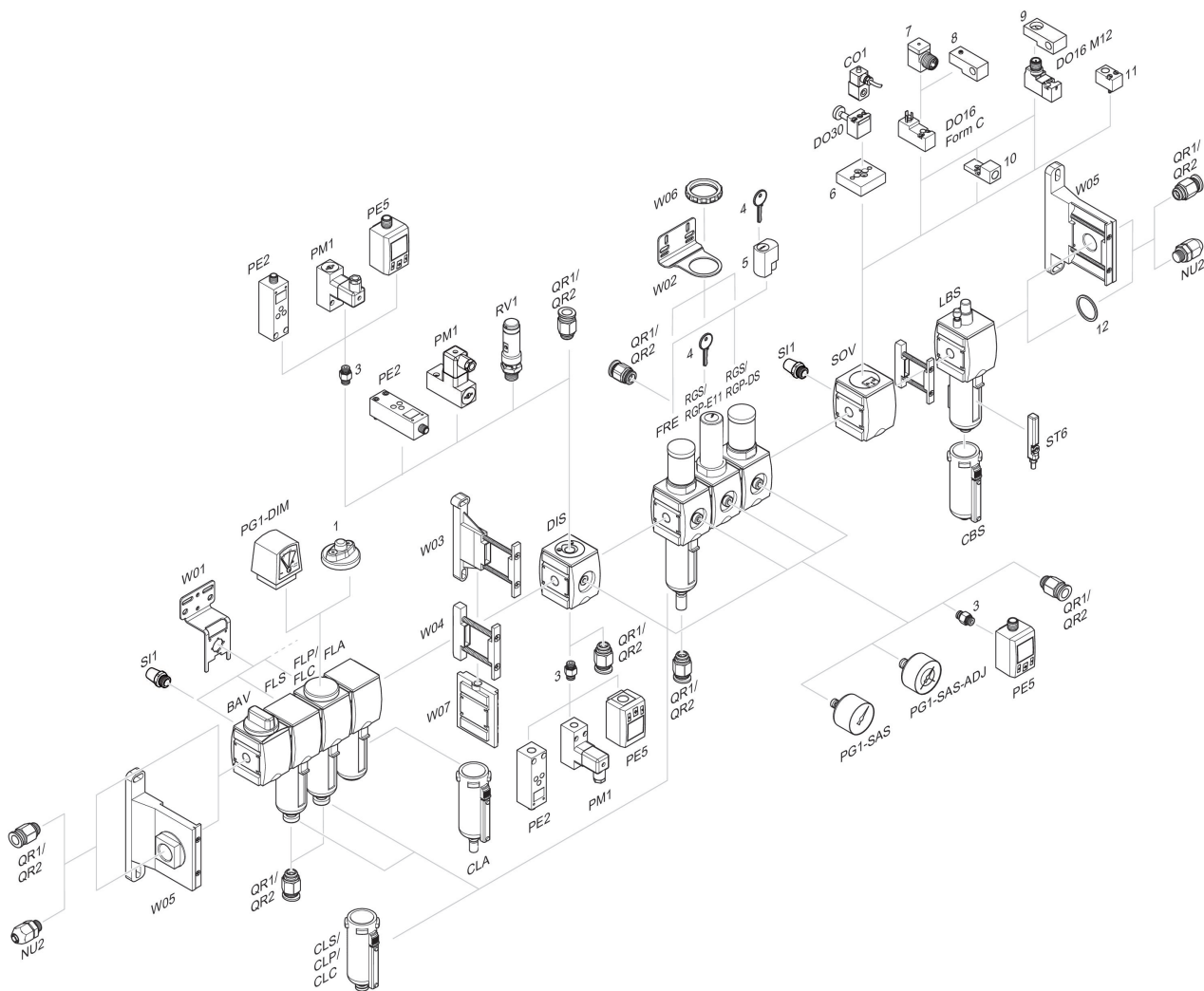


Flow rate characteristic (p₂: 0,5 - 8 bar)



p_1 = Working pressure p_2 = Secondary pressure q_n = Nominal flow

Accessories overview



1 = contamination display 3 = Double nipple 4 = Key for E11 locking 5 = mortise lock 6 = Transition plate DO30 7 = Adapter, Series CON-VP 8 = Mounting aid DO16, form C 9 = Mounting aid DO16, M12 10 = Adapter for external pilot air 11 = Adapter pneumatic operation 12 = Sealing ring