

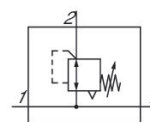
# Precision pressure regulator, Series AS2- RGP-...-DS

2024-03-19

R412006161

## Series AS2

The AVENTICS Series AS2 is a modular, versatile maintenance unit for universal application. This Series offers compact dimensions, is highly efficient, lightweight and easy-to-use. The AVENTICS Series AS guarantees reliability, safety, and efficiency with a simplified assembly and maintenance efforts.



## Technical data

Industry	Industrial
Function	Precision pressure regulator
Parts	Precision pressure regulator with continuous pressure supply
Pressure gauge	without pressure gauge
Mounting orientation	Any
Regulator type	Diaphragm-type pressure regulator
Port	G 1/4
Nominal flow Qn	2200 l/min
Min. regulation range	0.1 bar
Max. regulation range	2 bar
Min. working pressure	0.1 bar
Max. working pressure	16 bar
Min. ambient temperature	-10 °C
Max. ambient temperature	50 °C
Activation	Mechanical
Regulator function	with relieving air exhaust
Regulator type	Can be assembled into blocks
Pressure supply	double
Lock type	lockable

# Precision pressure regulator, Series AS2- RGP-...-DS

2024-03-19

R412006161

~~with continuous pressure supply~~

~~with continuous pressure supply~~

Max. internal air consumption  $q_v$

2.6 l/min

Max. pressure gauge  $\varnothing$  in blocked state

50 mm

Medium

Compressed air

Neutral gases

Weight

0.248 kg

## Material

Housing material

Polyamide

Material front plate

Acrylonitrile butadiene styrene

Seal material

Acrylonitrile butadiene rubber

Material threaded bushing

Die cast zinc

Part No.

R412006161

## Technical information

The pressure dew point must be at least 15 °C less than ambient and medium temperature and may not exceed 3 °C.

The rear pressure gauge connection on the pressure regulator is closed with a blanking plug, the front connection is open. Depending on the customer application, a second blanking plug may be necessary. Please order separately (see accessories).

Nominal flow  $Q_n$  with secondary pressure  $p_2 = 6$  bar at  $\Delta p = 1$  bar

Recommended pre-filter: 5  $\mu$ m

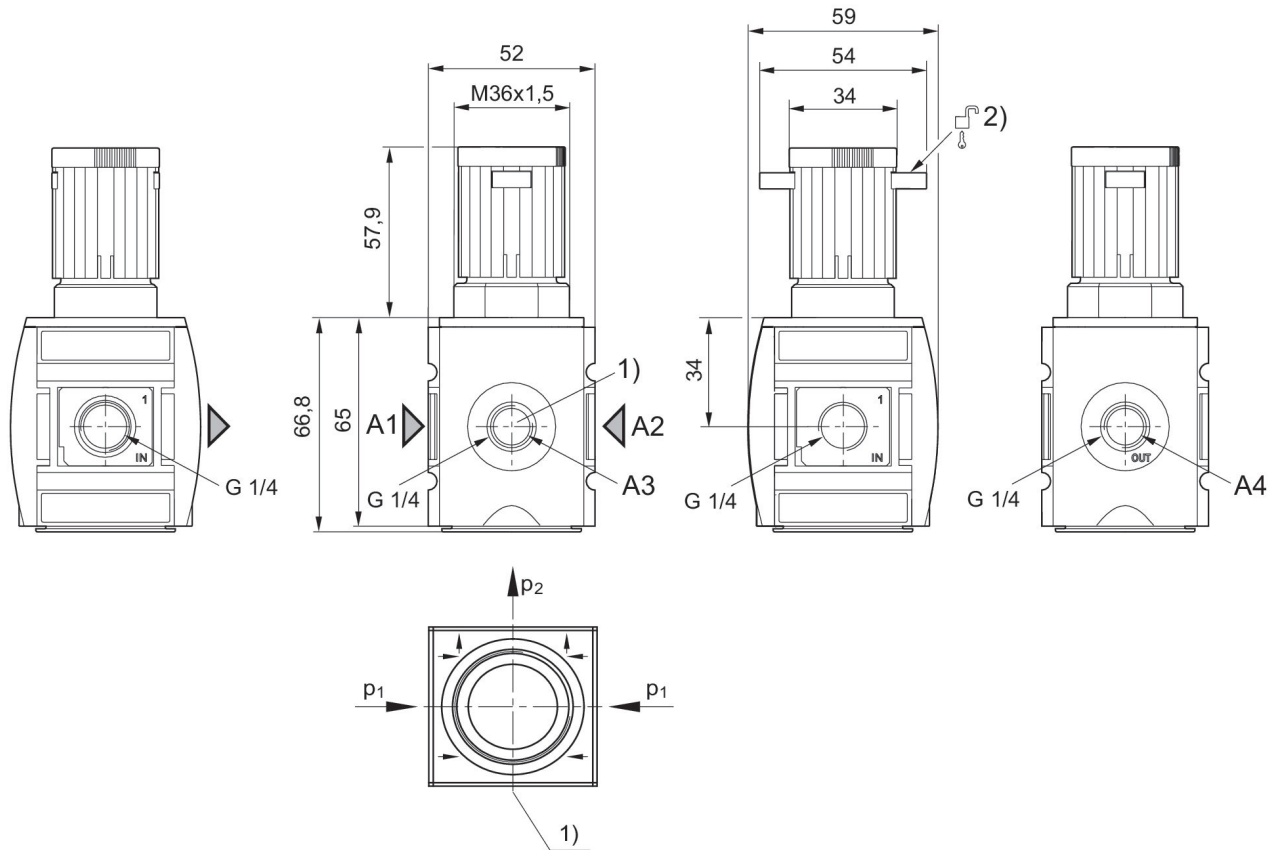
Order pressure gauge separately

# Precision pressure regulator, Series AS2- RGP-...-DS

2024-03-19

R412006161

Dimensions in mm



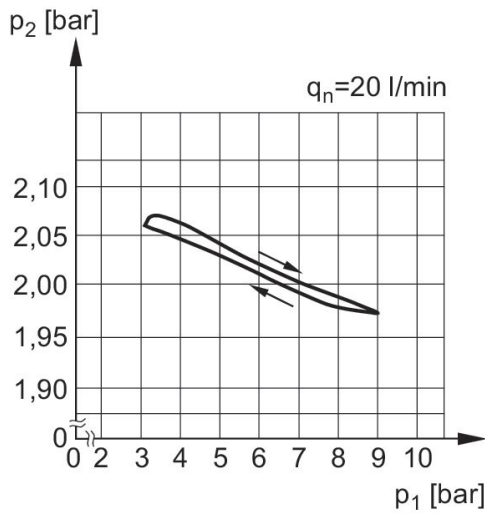
- A1 = input
- A2 = output
- A3 = pressure gauge connection
- A4 = output
- 1) Pressure gauge connection
- 2) Mounting option for padlocks, max. shackle  $\varnothing$  8

# Precision pressure regulator, Series AS2-RGP-...-DS

2024-03-19

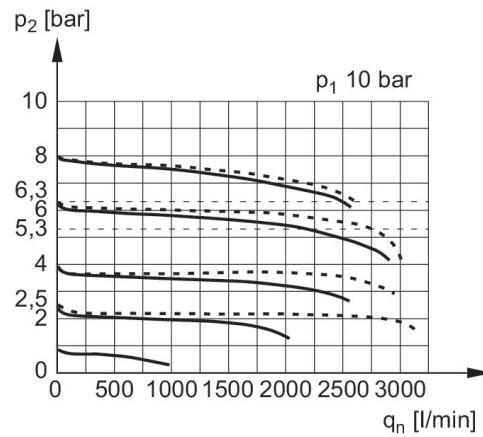
R412006161

Pressure characteristics curve



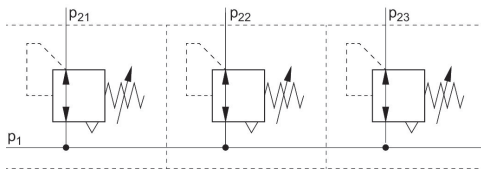
p1 = Working pressure  
p2 = Secondary pressure  
qn = Nominal flow

Flow rate characteristic (p2: 0,5 - 8 bar)



p1 = Working pressure  
p2 = Secondary pressure  
qn = Nominal flow

## Application example

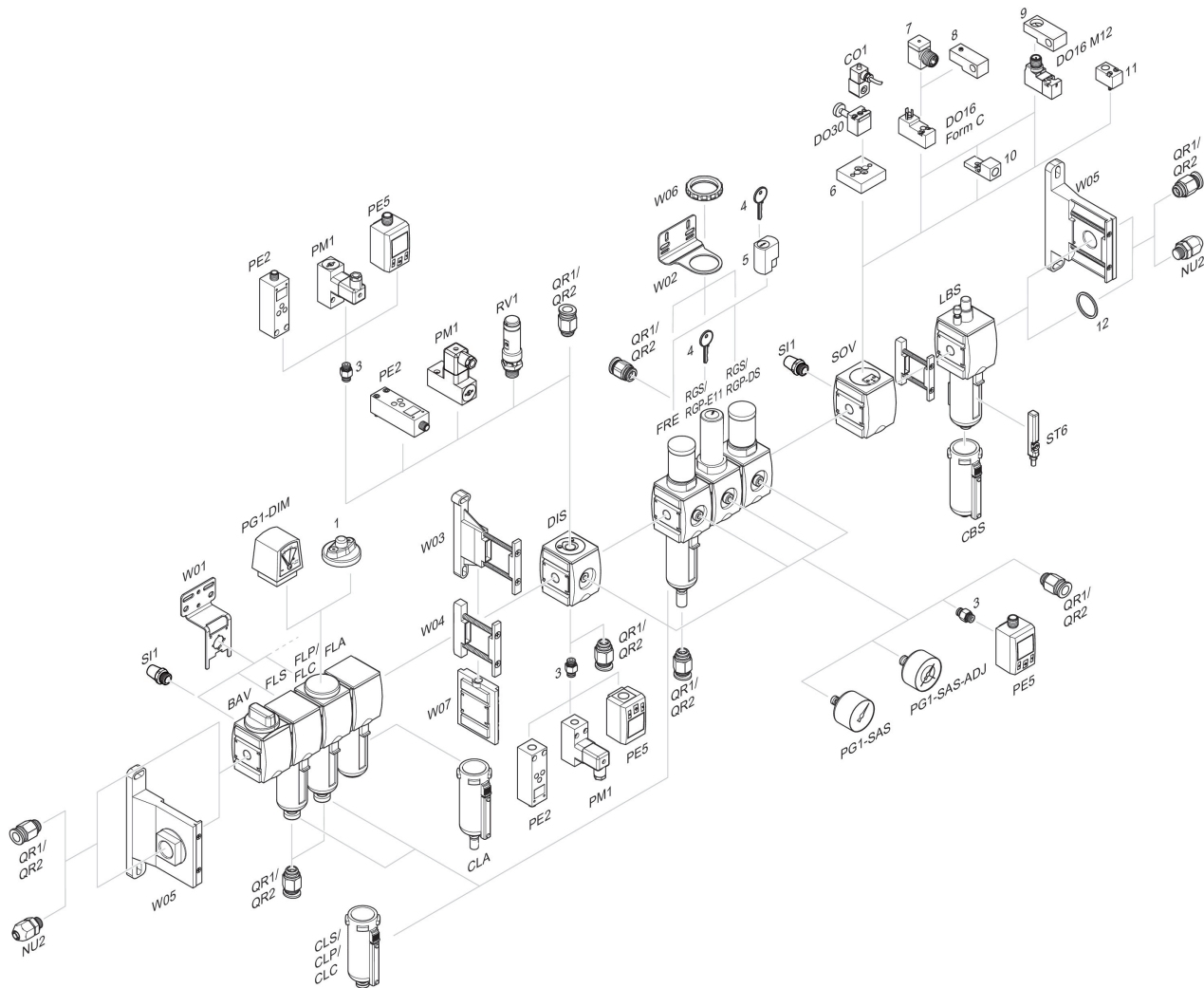


p1 = Working pressure

# Precision pressure regulator, Series AS2- RGP-...-DS

2024-03-19

R412006161  
Accessories overview



1 = contamination display 3 = Double nipple 4 = Key for E11 locking 5 = mortise lock 6 = Transition plate DO30 7 = Adapter, Series CON-VP 8 = Mounting aid DO16, form C 9 = Mounting aid DO16, M12 10 = Adapter for external pilot air 11 = Adapter pneumatic operation 12 = Sealing ring