

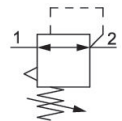
Precision pressure regulator, Series AS2- RGP-...-E11

2024-03-19

R412006146

Series AS2

The AVENTICS Series AS2 is a modular, versatile maintenance unit for universal application. This Series offers compact dimensions, is highly efficient, lightweight and easy-to-use. The AVENTICS Series AS guarantees reliability, safety, and efficiency with a simplified assembly and maintenance efforts.



Technical data

Industry	Industrial
Function	Precision pressure regulator
Parts	Precision pressure regulator
Pressure gauge	without pressure gauge
Mounting orientation	Any
Regulator type	Diaphragm-type pressure regulator
Port	G 1/4
Nominal flow Qn	2200 l/min
Min. regulation range	0.2 bar
Max. regulation range	4 bar
Min. working pressure	0.2 bar
Max. working pressure	16 bar
Min. ambient temperature	-10 °C
Max. ambient temperature	50 °C
Activation	Mechanical
Regulator function	with relieving air exhaust
Regulator type	Can be assembled into blocks
Pressure supply	single
Lock type	E11 locking, without key

Precision pressure regulator, Series AS2-RGP-...-E11

2024-03-19

R412006146

Max. internal air consumption q_v	2.6 l/min
Medium	Compressed air Neutral gases
Weight	0.248 kg

Material

Housing material	Polyamide
Material front plate	Acrylonitrile butadiene styrene
Seal material	Acrylonitrile butadiene rubber
Material threaded bushing	Die cast zinc
Part No.	R412006146

Technical information

The pressure dew point must be at least 15 °C less than ambient and medium temperature and may not exceed 3 °C.

The rear pressure gauge connection on the pressure regulator is closed with a blanking plug, the front connection is open. Depending on the customer application, a second blanking plug may be necessary. Please order separately (see accessories).

The E11 locking is delivered without a key (see accessories for keys R961403407).

A change in the flow direction (from air supply on the left to air supply on the right) occurs by rotating installation by 180° about the vertical axis. Please see the operating instructions for further details.

Recommended pre-filter: 5 µm

Nominal flow Q_n with secondary pressure $p_2 = 6$ bar at $\Delta p = 1$ bar

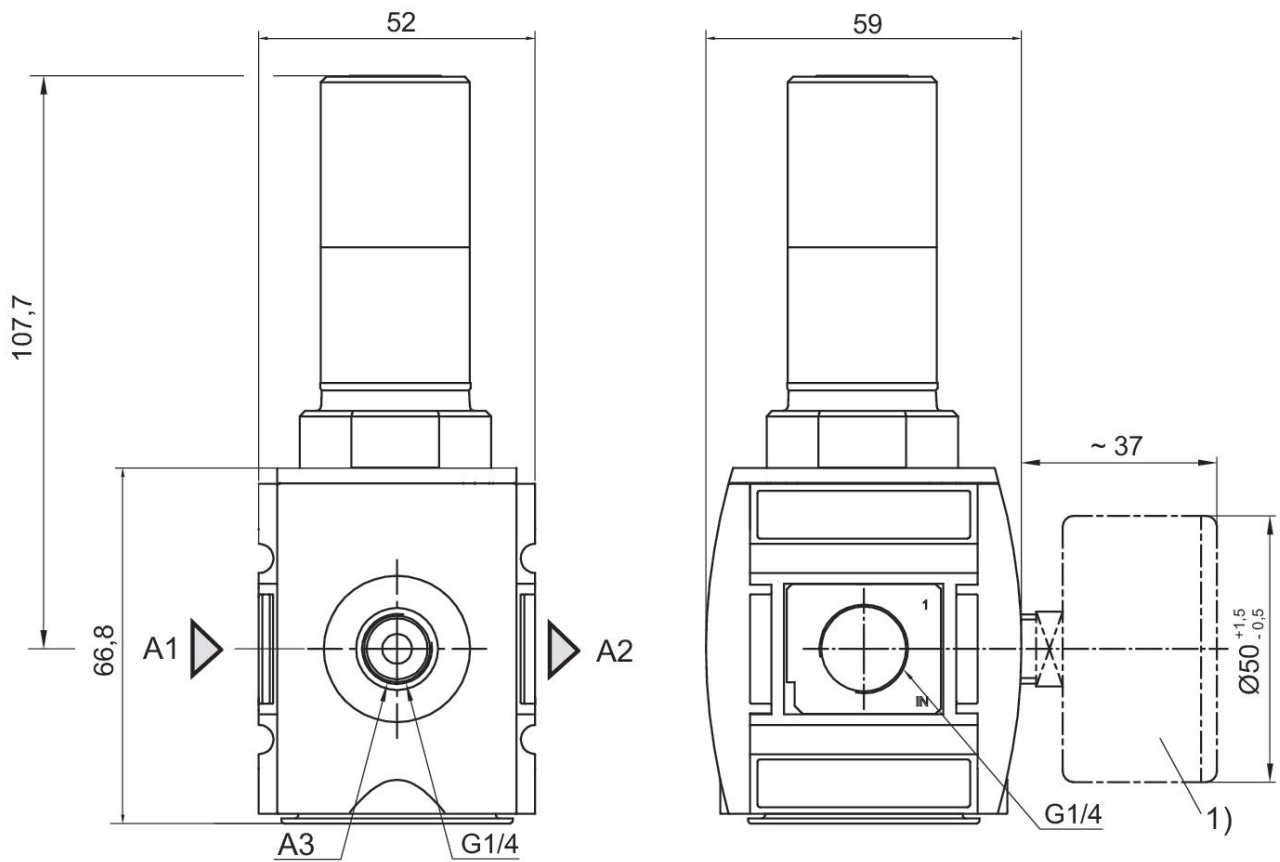
Order pressure gauge separately

Precision pressure regulator, Series AS2-RGP-...-E11

2024-03-19

R412006146

Dimensions in mm



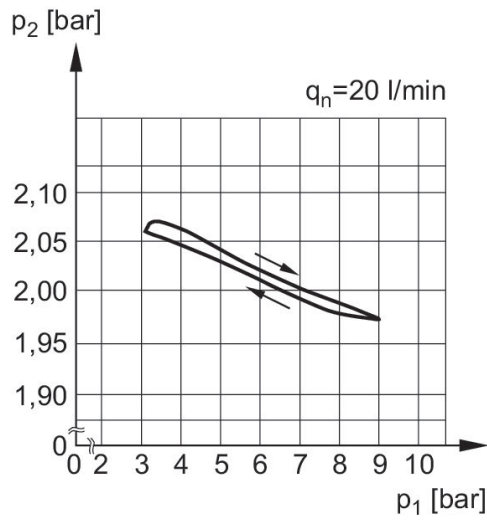
- A1 = input
- A2 = output
- A3 = pressure gauge connection
- 1) Order pressure gauge separately

Precision pressure regulator, Series AS2-RGP-...-E11

2024-03-19

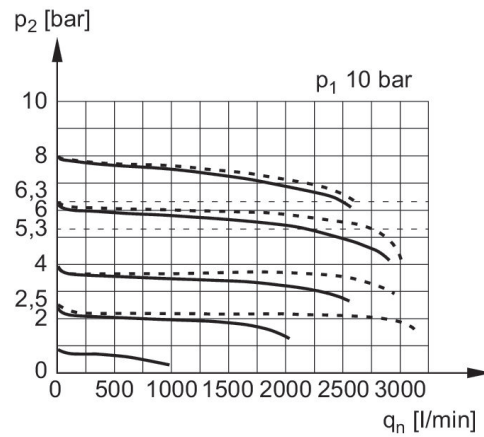
R412006146

Pressure characteristics curve



p_1 = Working pressure
 p_2 = Secondary pressure
 q = flow rate

Flow rate characteristic (p_2 : 0,5 - 8 bar)

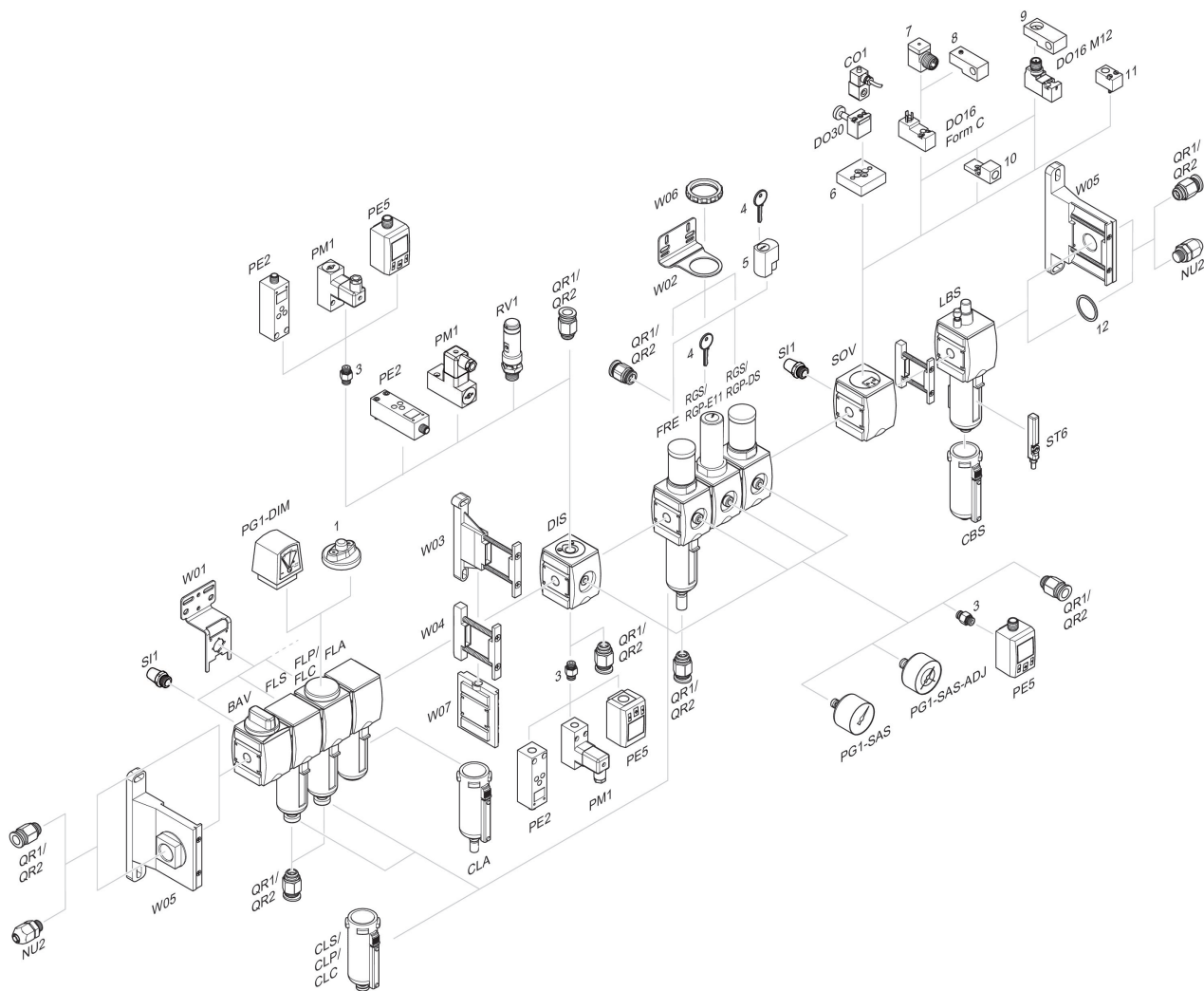


p_1 = Working pressure
 p_2 = Secondary pressure
 q_n = Nominal flow

Precision pressure regulator, Series AS2- RGP-...-E11

2024-03-19

R412006146 Accessories overview



1 = contamination display 3 = Double nipple 4 = Key for E11 locking 5 = mortise lock 6 = Transition plate DO30 7 = Adapter, Series CON-VP 8 = Mounting aid DO16, form C 9 = Mounting aid DO16, M12 10 = Adapter for external pilot air 11 = Adapter pneumatic operation 12 = Sealing ring