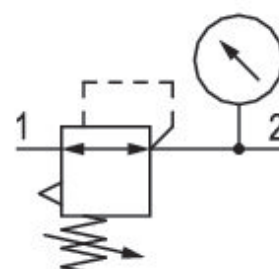


# Pressure regulator, Series AS2-RGS

R412006111

## General series information Series AS2

- The AVENTICS Series AS2 is a modular, versatile maintenance unit for universal application. This Series offers compact dimensions, is highly efficient, lightweight and easy-to-use. The AVENTICS Series AS guarantees reliability, safety, and efficiency with a simplified assembly and maintenance efforts.



## Technical data

### Industry

Industrial

### Function

Standard pressure regulator

### Parts

Pressure regulator

### Port

G 1/4

### Nominal flow Qn

2200 l/min

### Pressure gauge

with pressure gauge

### Mounting orientation

Any

### Regulator type

Diaphragm-type pressure regulator

### Regulation range min.

0.5 bar

### Regulation range max.

16 bar

### Working pressure min.

0.5 bar

### Working pressure max

16 bar

### Min. ambient temperature

-10 °C

### Max. ambient temperature

50 °C

**Activation**

Mechanical

**Regulator function**

with relieving air exhaust

**Regulator type**

Can be assembled into blocks

**Pressure supply**

single

**Lock type**

for padlocks

**Medium**

Compressed air

Neutral gases

**Weight**

0.32 kg

## Material

**Housing material**

Polyamide

**Material front plate**

Acrylonitrile butadiene styrene

**Seal material**

Acrylonitrile butadiene rubber

**Material threaded bushing**

Die cast zinc

**Part No.**

R412006111

## Technical information

The pressure dew point must be at least 15 °C under ambient and medium temperature and may not exceed 3 °C .

The rear pressure gauge connection on the pressure regulator is closed with a blanking plug, the front connection is open. Depending on the customer application, a second blanking plug may be necessary. Please order separately (see accessories).

Nominal flow  $Q_n$  with secondary pressure  $p_2 = 6$  bar at  $\Delta p = 1$  bar

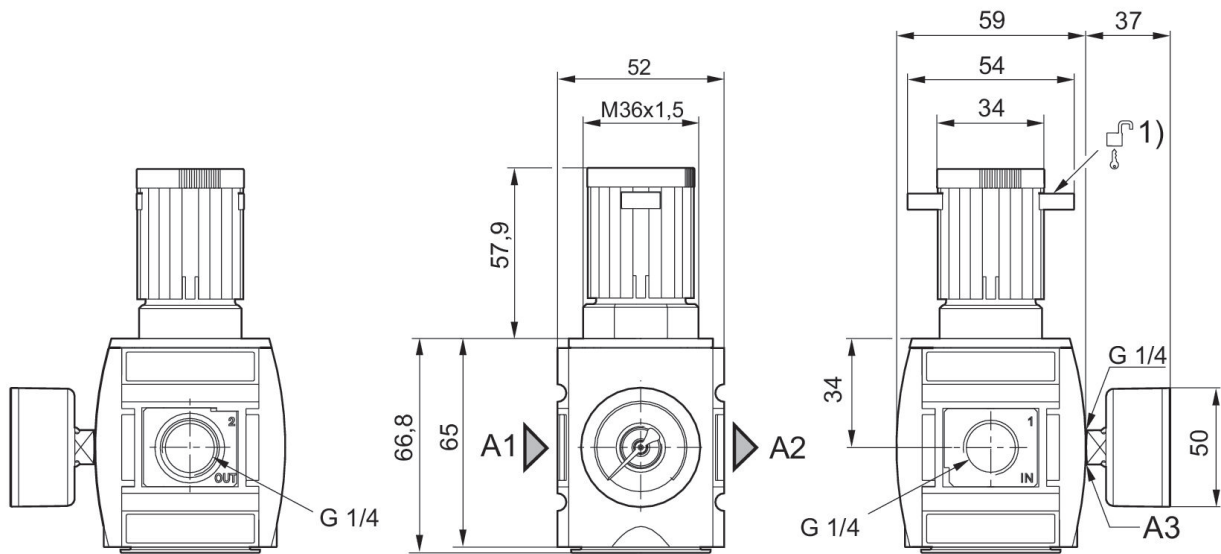
A change in the flow direction (from air supply on the left to air supply on the right) occurs by rotating installation by 180° about the vertical axis. Please see the operating instructions for further details.

Relieving exhaust ( $\leq 0.3$  bar over set pressure)

Pressure gauge enclosed separately

With rear exhaust ( $>3$  bar)

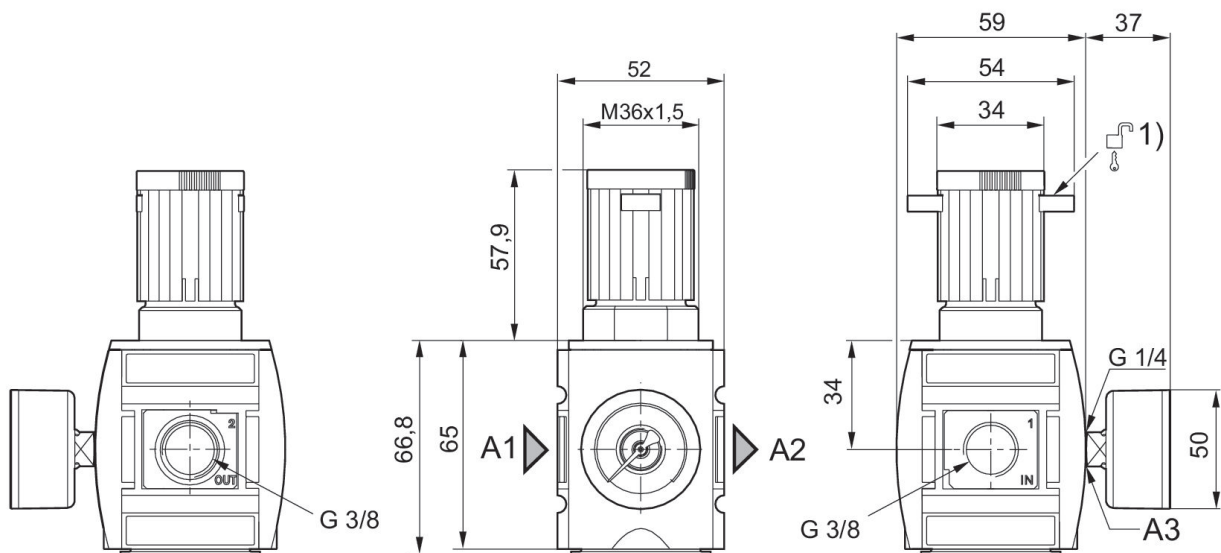
### Dimensions in mm



A1 = input A2 = output  
A3 = pressure gauge connection  
1) Mounting option for padlocks, max. shackle  $\varnothing$  8

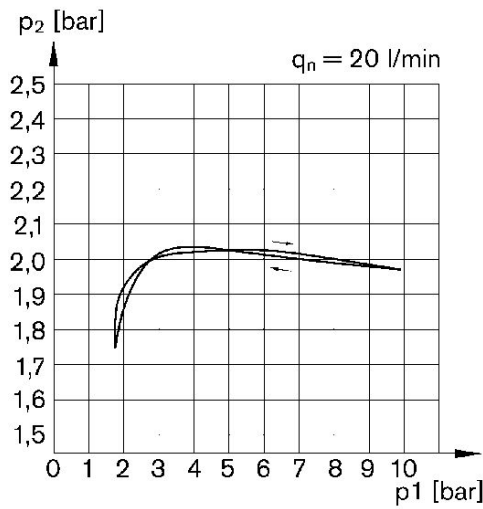
### Dimensions in mm

Fig. 2



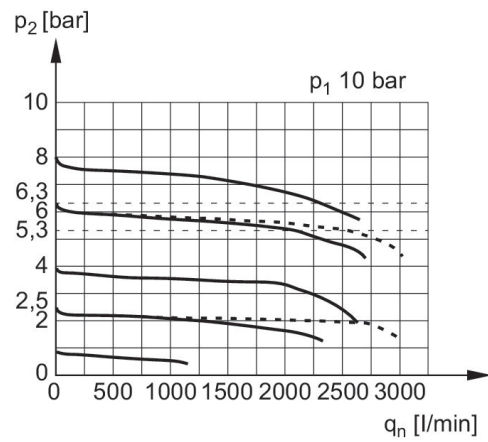
A1 = input A2 = output  
A3 = pressure gauge connection  
1) Mounting option for padlocks, max. shackle  $\varnothing$  8

### Pressure characteristics curve Standard version



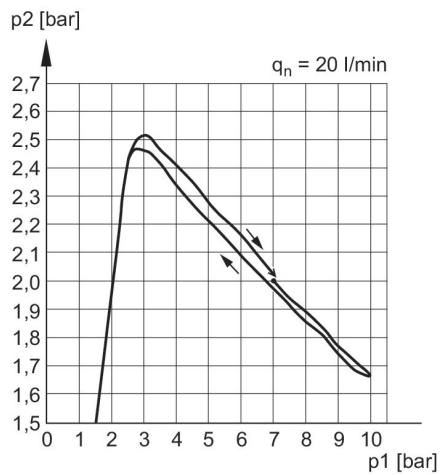
p1 = Working pressure p2 = Secondary pressure qn = Nominal flow

### Flow rate characteristic (p2: 0,5 - 8 bar)



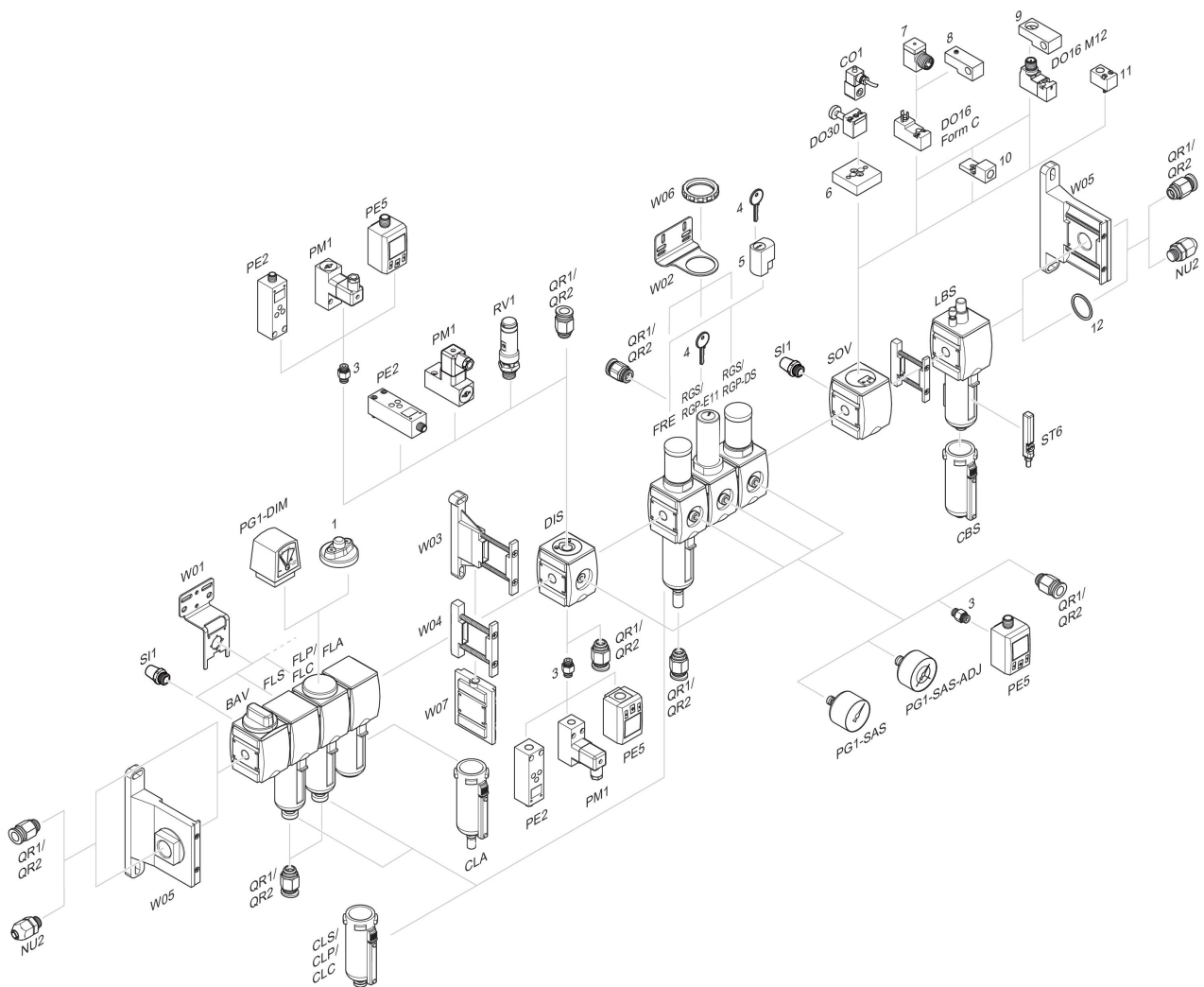
p1 = Working pressure p2 = Secondary pressure qn = Nominal flow

### Pressure characteristics curve Version with safe rear exhaust in case of drop (removal) of pilot pressure



p1 = Working pressure p2 = Secondary pressure qn = Nominal flow

## Accessories overview



1 = contamination display 3 = Double nipple 4 = Key for E11 locking 5 = mortise lock 6 = Transition plate DO30 7 = Adapter, Series CON-VP 8 = Mounting aid DO16, form C 9 = Mounting aid DO16, M12 10 = Adapter for external pilot air 11 = Adapter pneumatic operation 12 = Sealing ring