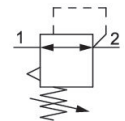


R412006116

Series AS2

The AVENTICS Series AS2 is a modular, versatile maintenance unit for universal application. This Series offers compact dimensions, is highly efficient, lightweight and easy-to-use. The AVENTICS Series AS guarantees reliability, safety, and efficiency with a simplified assembly and maintenance efforts.



Technical data

| | |
|--------------------------|-----------------------------------|
| Industry | Industrial |
| Function | Standard pressure regulator |
| Parts | Pressure regulator |
| Mounting orientation | Any |
| Regulator type | Diaphragm-type pressure regulator |
| Port | G 3/8 |
| Nominal flow Qn | 2700 l/min |
| Min. regulation range | 0.2 bar |
| Max. regulation range | 4 bar |
| Min. working pressure | 0.2 bar |
| Max. working pressure | 16 bar |
| Min. ambient temperature | -10 °C |
| Max. ambient temperature | 50 °C |
| Activation | Mechanical |
| Regulator function | with relieving air exhaust |
| Regulator type | Can be assembled into blocks |
| Pressure supply | single |
| Lock type | for padlocks |
| Medium | Compressed air Neutral gases |

Pressure regulator, Series AS2-RGS

2024-03-19

R412006116

Weight 0.248 kg

Material

| | |
|---------------------------|---------------------------------|
| Housing material | Polyamide |
| Material front plate | Acrylonitrile butadiene styrene |
| Seal material | Acrylonitrile butadiene rubber |
| Material threaded bushing | Die cast zinc |
| Part No. | R412006116 |

Technical information

The pressure dew point must be at least 15 °C less than ambient and medium temperature and may not exceed 3 °C.

The rear pressure gauge connection on the pressure regulator is closed with a blanking plug, the front connection is open. Depending on the customer application, a second blanking plug may be necessary. Please order separately (see accessories).

Nominal flow Q_n with secondary pressure $p_2 = 6$ bar at $\Delta p = 1$ bar

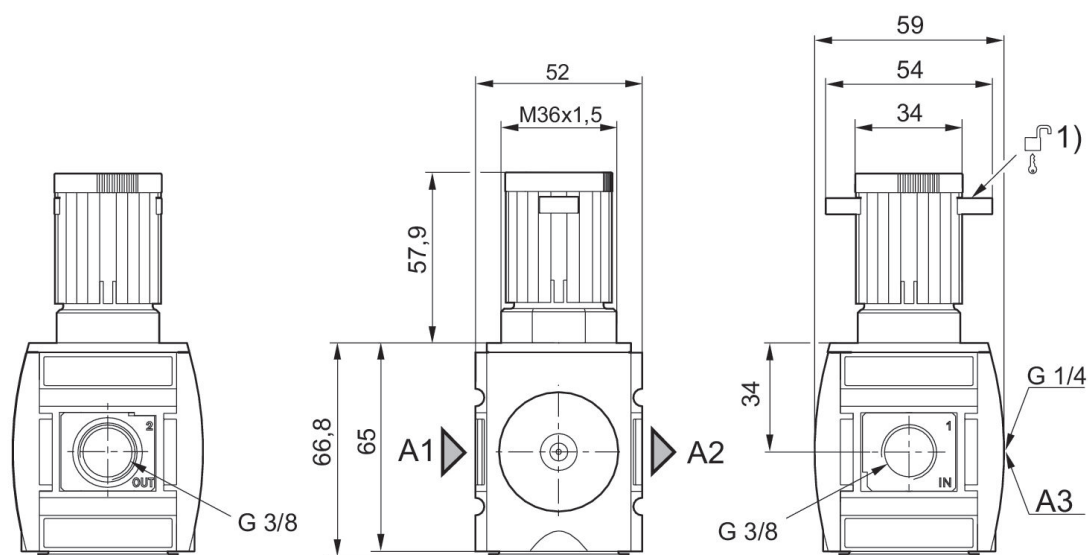
A change in the flow direction (from air supply on the left to air supply on the right) occurs by rotating installation by 180° about the vertical axis. Please see the operating instructions for further details.

Relieving exhaust (≤ 0.3 bar over set pressure)

With rear exhaust (>3 bar)

Order pressure gauge separately

Dimensions in mm

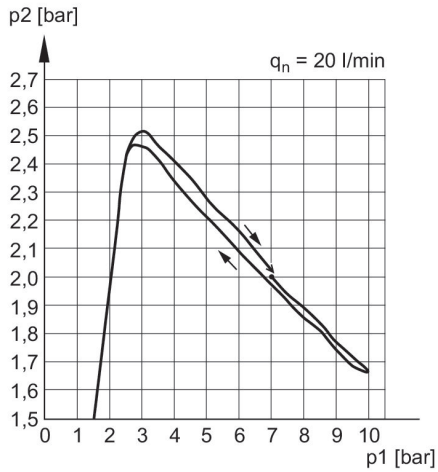


A1 = input
A2 = output
A3 = pressure gauge connection

R412006116

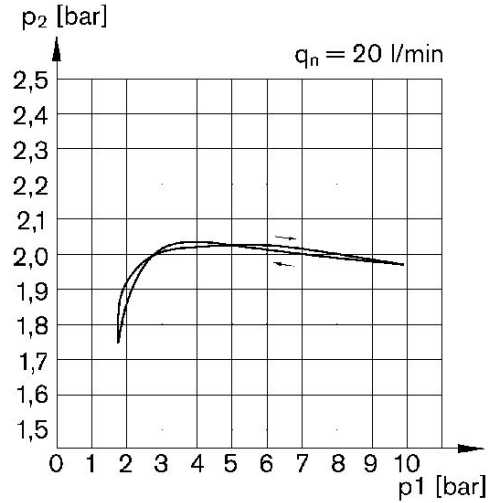
1) Mounting option for padlocks, max. shackle Ø 8

Pressure characteristics curve Version with safe rear exhaust in case of drop (removal) of pilot pressure



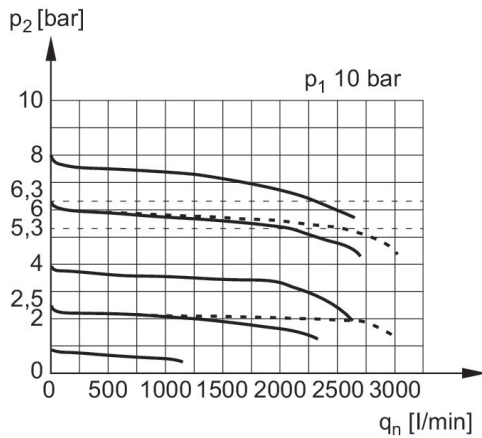
p1 = Working pressure
p2 = Secondary pressure
qn = Nominal flow

Pressure characteristics curve Standard version



p1 = Working pressure
p2 = Secondary pressure
qn = Nominal flow

Flow rate characteristic (p2: 0,5 - 8 bar)



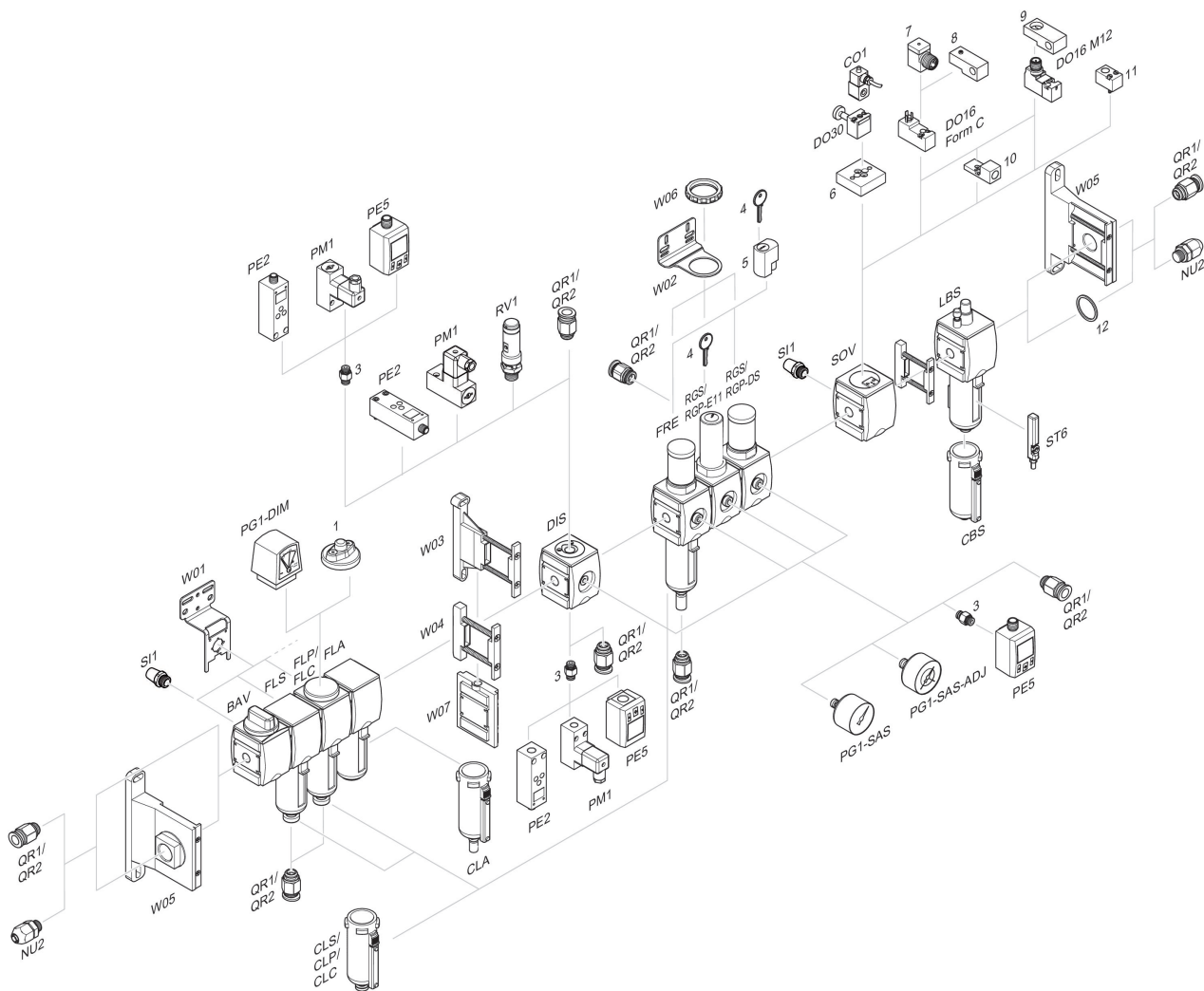
p1 = Working pressure
p2 = Secondary pressure
qn = Nominal flow

Pressure regulator, Series AS2-RGS

2024-03-19

R412006116

Accessories overview



1 = contamination display 3 = Double nipple 4 = Key for E11 locking 5 = mortise lock 6 = Transition plate DO30 7 = Adapter, Series CON-VP 8 = Mounting aid DO16, form C 9 = Mounting aid DO16, M12 10 = Adapter for external pilot air 11 = Adapter pneumatic operation 12 = Sealing ring