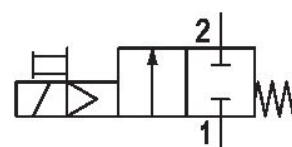


# 2/2-directional valve, electrically operated, Series AS2-SOV

R412006294

## General series information Series AS2

- The AVENTICS Series AS2 is a modular, versatile maintenance unit for universal application. This Series offers compact dimensions, is highly efficient, lightweight and easy-to-use. The AVENTICS Series AS guarantees reliability, safety, and efficiency with a simplified assembly and maintenance efforts.



## Technical data

|                                       |                              |
|---------------------------------------|------------------------------|
| Industry                              | Industrial                   |
| Activation                            | Electrically                 |
| Nominal flow Qn                       | 2000 l/min                   |
| Version                               | NC                           |
| Compressed air connection             | G 3/8                        |
| Working pressure min.                 | 2.5 bar                      |
| Working pressure max                  | 10 bar                       |
| DC operating voltage                  | 24 V                         |
| Sealing principle                     | soft seal                    |
| Connection type                       | Pipe connection              |
| Parts                                 | 2/2-directional valve        |
| Can be assembled into blocks          | Can be assembled into blocks |
| basic valve with electrical connector | Basic valve with pilot valve |
| Type                                  | Poppet valve                 |

|                                      |                                     |
|--------------------------------------|-------------------------------------|
| Min. ambient temperature             | -10 °C                              |
| Max. ambient temperature             | 50 °C                               |
| Medium                               | Compressed air<br>Neutral gases     |
| Max. particle size                   | 25 µm                               |
| Operating voltage                    | 24 V DC                             |
| Power consumption DC                 | 2 W                                 |
| Duty cycle                           | 100 %                               |
| Protection class with connection     | IP65                                |
| Reverse polarity protection          | Protected against polarity reversal |
| Electrical connection type 2         | Plug                                |
| Electrical connection 2, thread size | ISO 15217, form C                   |
| Weight                               | 0.291 kg                            |

## Material

|                           |                                 |
|---------------------------|---------------------------------|
| Housing material          | Polyamide                       |
| Seal material             | Acrylonitrile butadiene rubber  |
| Material threaded bushing | Die cast zinc                   |
| Material front plate      | Acrylonitrile butadiene styrene |
| Part No.                  | R412006294                      |

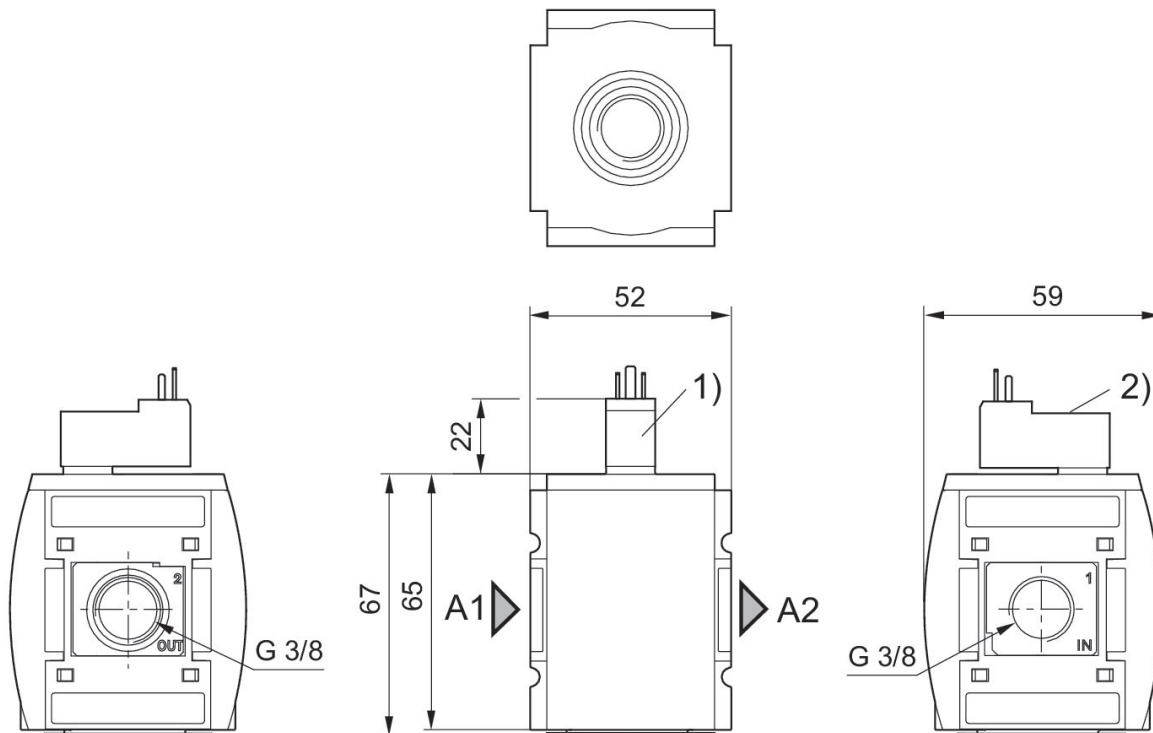
## Technical information

The pressure dew point must be at least 15 °C less than ambient and medium temperature and may not exceed 3 °C.

Nominal flow  $Q_n$  with secondary pressure  $p_2 = 6$  bar at  $\Delta p = 1$  bar

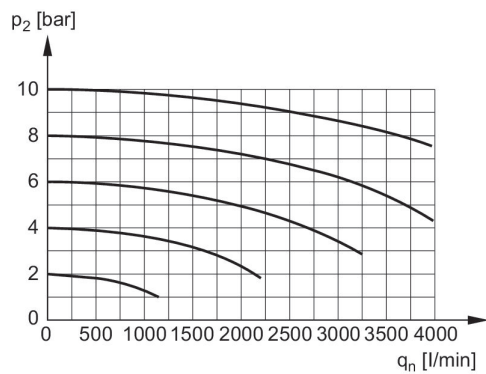
A change in the flow direction (from air supply on the left to air supply on the right) occurs by rotating installation by 180° about the vertical axis. Please see the operating instructions for further details.

## Dimensions in mm



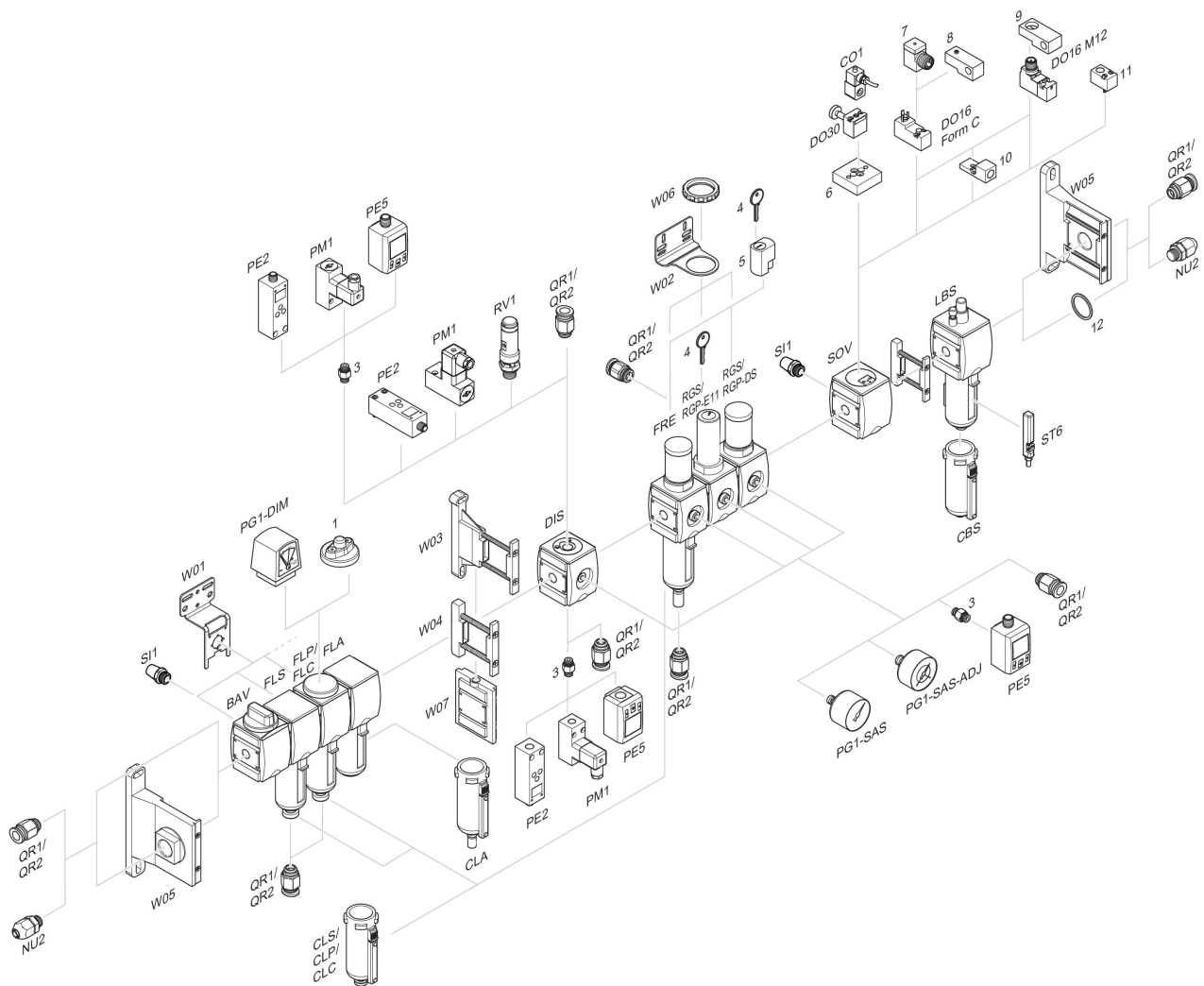
- A1 = input
- A2 = output
- 1) Connection for valve plug connector according to ISO 15217 (form C)
- 2) Manual override

## Flow rate characteristic



- $p_2$  = Secondary pressure
- $q_n$  = Nominal flow

## Accessories overview



1 = contamination display 3 = Double nipple 4 = Key for E11 locking 5 = mortise lock 6 = Transition plate DO30 7 = Adapter, Series CON-VP 8 = Mounting aid DO16, form C 9 = Mounting aid DO16, M12 10 = Adapter for external pilot air 11 = Adapter pneumatic operation 12 = Sealing ring