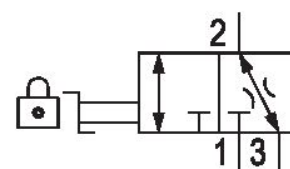


# 3/2-shut-off valve, mechanically operated, Series AS2-BAV

R412006257

## General series information Series AS2

- The AVENTICS Series AS2 is a modular, versatile maintenance unit for universal application. This Series offers compact dimensions, is highly efficient, lightweight and easy-to-use. The AVENTICS Series AS guarantees reliability, safety, and efficiency with a simplified assembly and maintenance efforts.



## Technical data

Activation

Mechanical

Nominal flow Qn

2000 l/min

Compressed air connection

G 3/8

Working pressure min.

0 bar

Working pressure max

16 bar

Actuating element

rotary switch

Sealing principle

Soft Seal

Type

Poppet valve

Parts

Shut-off valve

Lock type

lockable

Lock type

for padlocks

Can be assembled into blocks

Can be assembled into blocks

Min. ambient temperature

-10 °C

Max. ambient temperature

50 °C

Medium

Compressed air

Neutral gases

Max. particle size  
25 µm

Compressed air connection, exhaust  
G 1/4

Nominal flow Qn 1 to 2  
2000 l/min

Nominal flow Qn 2 to 3  
380 l/min

Weight  
0.206 kg

Housing material  
Polyamide

Seal material  
Acrylonitrile butadiene rubber

Material locking base  
Steel

Material, front cover  
Acrylonitrile butadiene styrene

Material threaded bushing  
Die cast zinc

Material locking base  
Steel

Surface locking base  
galvanized

Material actuating control  
Polyoxymethylene

Part No.  
R412006257

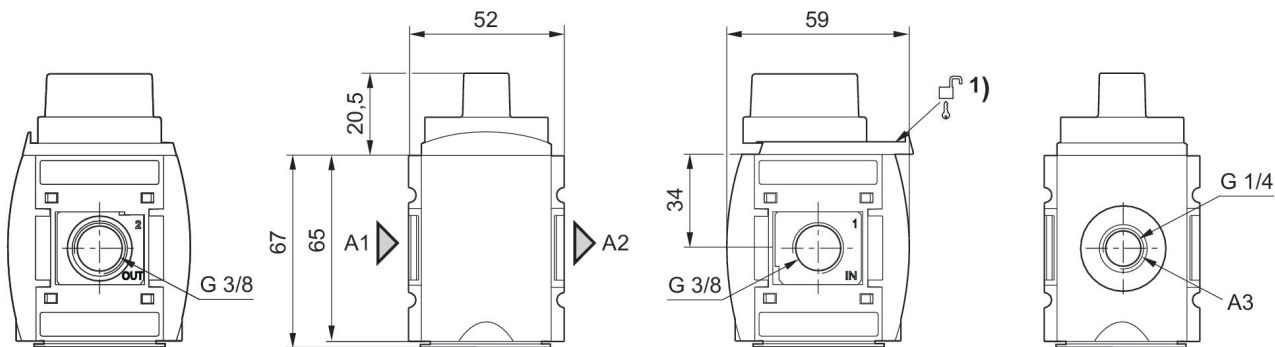
## Technical information

The pressure dew point must be at least 15 °C under ambient and medium temperature and may not exceed 3 °C .

Nominal flow Qn with secondary pressure p2 = 6 bar at  $\Delta p = 1$  bar

A short silencer is required for wall mounting (see accessories e.g. R412004817).

## Dimensions in mm



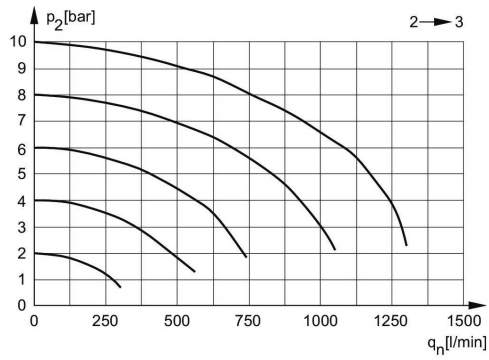
A1 = input

A2 = output

A3 = ventilation port

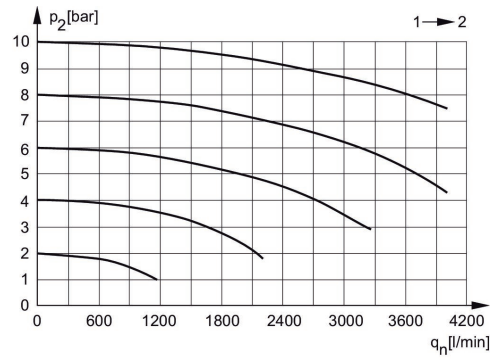
1) Mounting option for padlocks, max. shackle Ø 8

### Rear exhaust



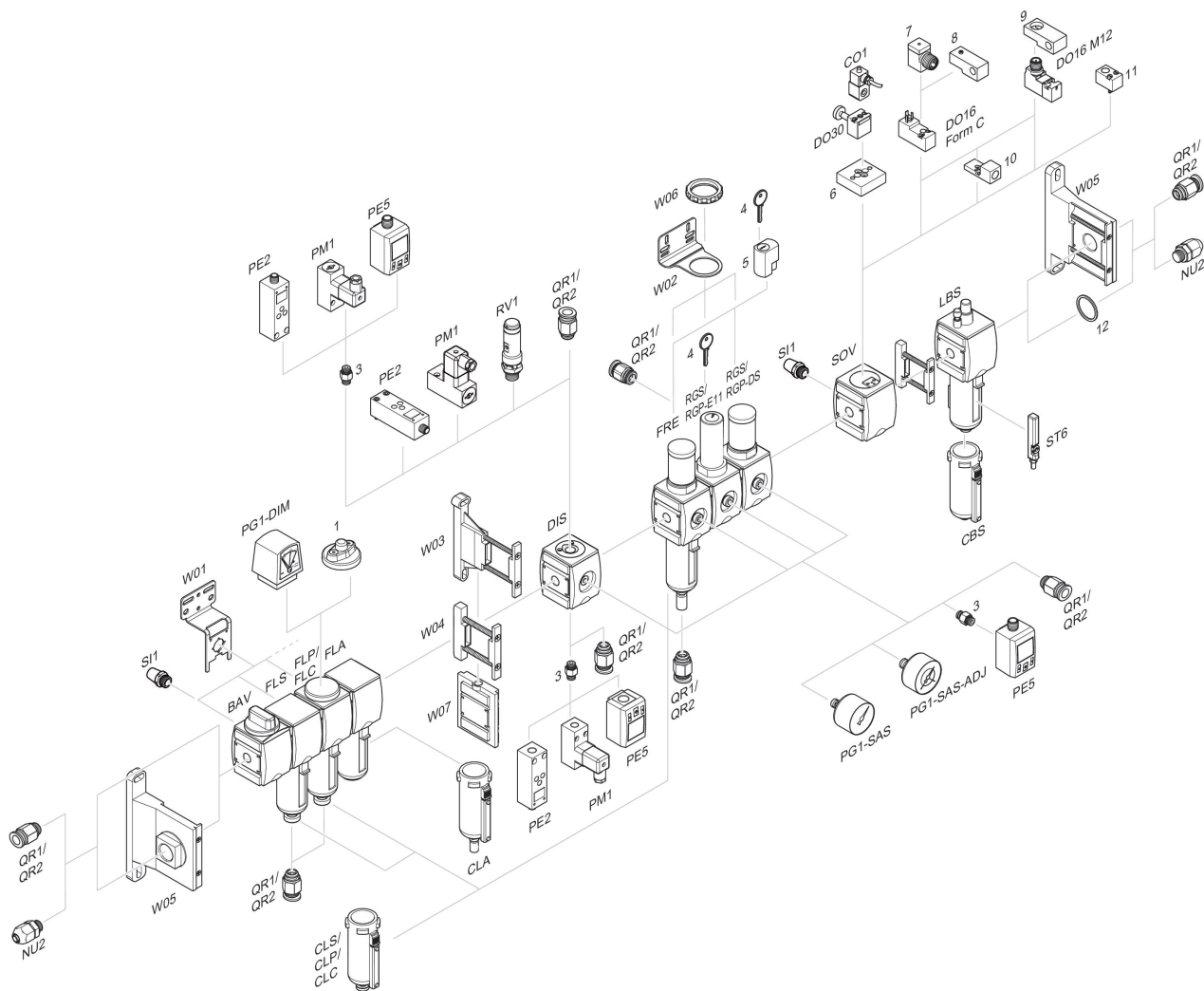
$p_2$  = Secondary pressure  
 $q_n$  = Nominal flow

### Flow rate characteristic, $p_2 = 0,05 - 7$ bar



$p_2$  = Secondary pressure  
 $q_n$  = Nominal flow

Accessories overview



1 = contamination display 3 = Double nipple 4 = Key for E11 locking 5 = mortise lock 6 = Transition plate DO30 7 = Adapter, Series CON-VP 8 = Mounting aid DO16, form C 9 = Mounting aid DO16, M12 10 = Adapter for external pilot air 11 = Adapter pneumatic operation 12 = Sealing ring