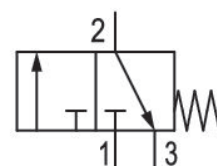


# 3/2-directional valve, electrically operated, Series AS2-SOV

R412006259

## General series information Series AS2

- The AVENTICS Series AS2 is a modular, versatile maintenance unit for universal application. This Series offers compact dimensions, is highly efficient, lightweight and easy-to-use. The AVENTICS Series AS guarantees reliability, safety, and efficiency with a simplified assembly and maintenance efforts.



## Technical data

Industry

Activation

Nominal flow Qn

Compressed air connection

Working pressure min.

Working pressure max

Sealing principle

Connection type

Parts

Can be assembled into blocks

basic valve with electrical connector

Type

Industrial

Electrically

2000 l/min

G 3/8

2.5 bar

16 bar

soft seal

Pipe connection

3/2-directional valve

Can be assembled into blocks

Basic valve without pilot valve, with CNOMO subbase

Poppet valve

Min. ambient temperature	-10 °C
Max. ambient temperature	50 °C
Medium	Compressed air Neutral gases
Max. particle size	25 µm
Compressed air connection, exhaust	G 1/4
Nominal flow Qn 1 to 2	2000 l/min
Nominal flow Qn 2 to 3	380 l/min
Weight	0.219 kg

## Material

Housing material	Polyamide
Seal material	Acrylonitrile butadiene rubber
Material threaded bushing	Die cast zinc
Material front plate	Acrylonitrile butadiene styrene
Part No.	R412006259

## Technical information

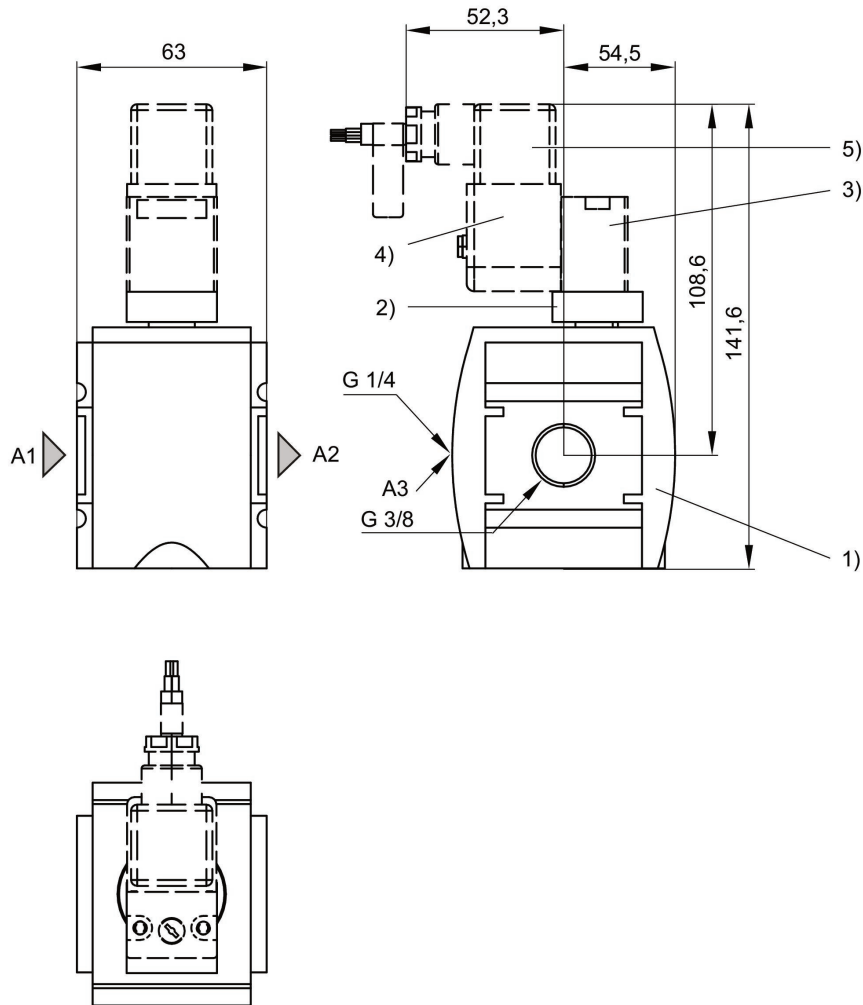
The pressure dew point must be at least 15 °C less than ambient and medium temperature and may not exceed 3 °C.

Nominal flow Qn with secondary pressure p2 = 6 bar at  $\Delta p = 1$  bar

A change in the flow direction (from air supply on the left to air supply on the right) occurs by rotating installation by 180° about the vertical axis. Please see the operating instructions for further details.

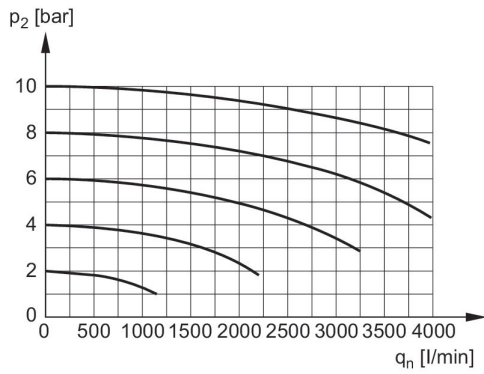
A short silencer is required for wall mounting (see accessories e.g. R412004817).

## Dimensions in mm



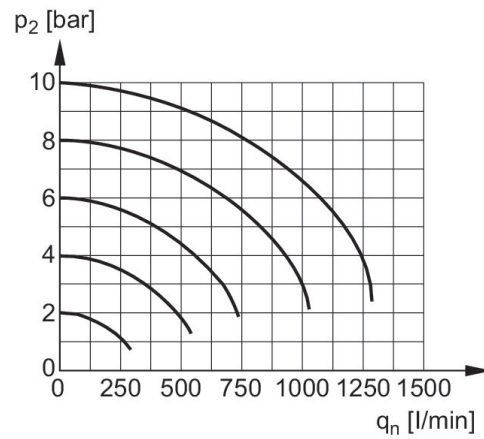
- A1 = input A2 = output  
A3 = ventilation port  
1) Shut-off valve  
2) Transition plate  
3) Pilot valve  
4) Coil  
5) Valve plug connector  
See accessories for pilot valve and coil

### Flow rate characteristic



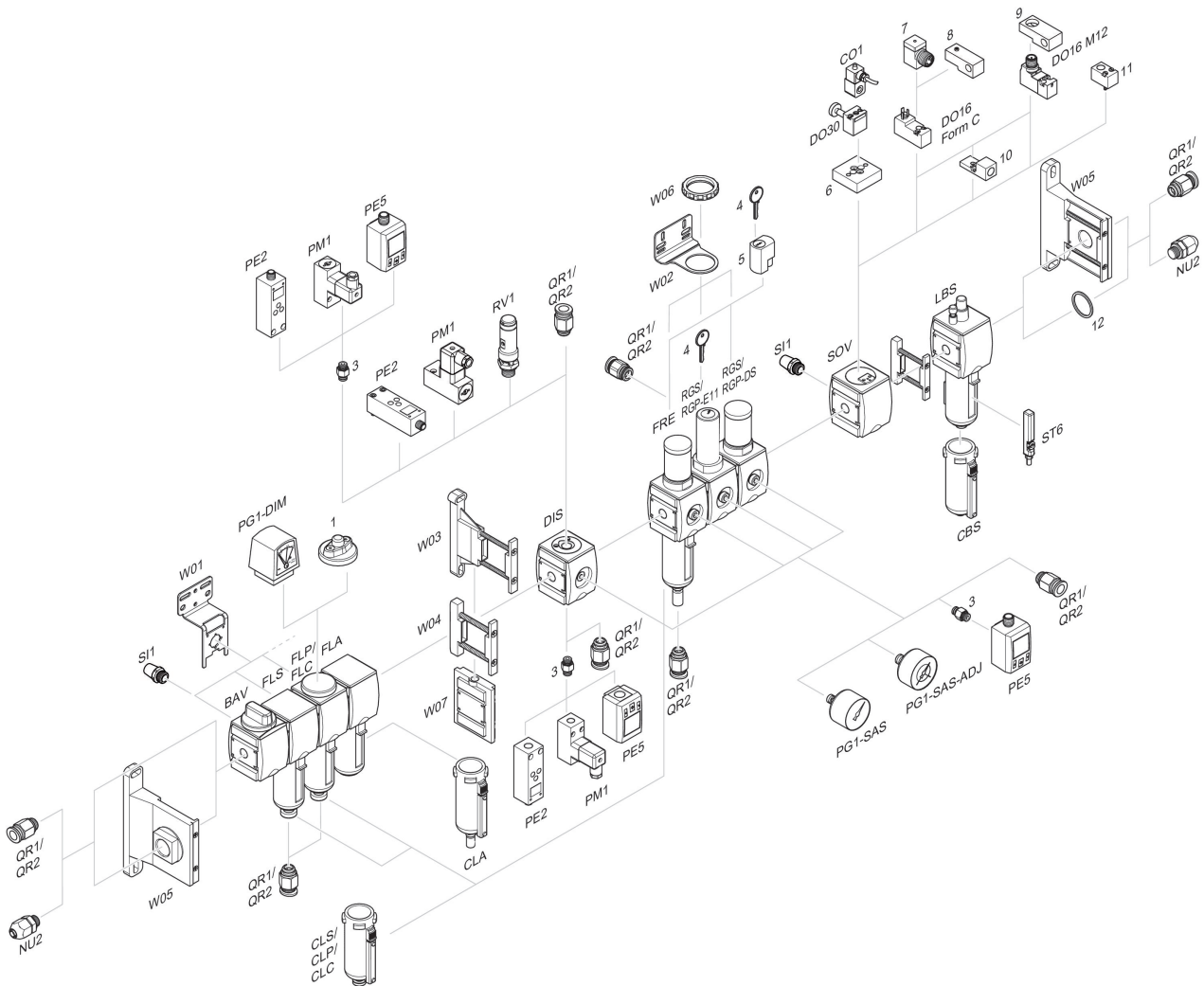
p2 = Secondary pressure  
qn = Nominal flow

### Rear exhaust



p2 = Secondary pressure  
qn = Nominal flow

## Accessories overview



1 = contamination display 3 = Double nipple 4 = Key for E11 locking 5 = mortise lock 6 = Transition plate DO30 7 = Adapter, Series CON-VP 8 = Mounting aid DO16, form C 9 = Mounting aid DO16, M12 10 = Adapter for external pilot air 11 = Adapter pneumatic operation 12 = Sealing ring