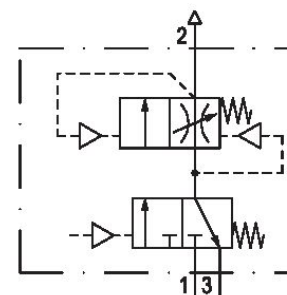


Filling unit, pneumatically operated, Series AS2-SSU

R412006289

General series information Series AS2

- The AVENTICS Series AS2 is a modular, versatile maintenance unit for universal application. This Series offers compact dimensions, is highly efficient, lightweight and easy-to-use. The AVENTICS Series AS guarantees reliability, safety, and efficiency with a simplified assembly and maintenance efforts.



Technical data

Industry
Industrial

Type
adjustable filling time

Activation
Pneumatically

Parts
3/2-directional valve
Filling valve

Nominal flow Qn
2000 l/min

Compressed air connection
G 1/4

Working pressure min.
0 bar

Working pressure max
16 bar

Connection type
Pipe connection

Sealing principle
Soft Seal

Type
Poppet valve

Pilot
Internal

Can be assembled into blocks

Can be assembled into blocks

Control pressure min.

2.5 bar

Control pressure max.

16 bar

Min. ambient temperature

-10 °C

Max. ambient temperature

50 °C

Medium

Compressed air

Neutral gases

Max. particle size

40 µm

Compressed air connection pilot exhaust

G 1/4

Compressed air connection, exhaust

G 1/4

Nominal flow Qn 1 to 2

2000 l/min

Nominal flow Qn 2 to 3

380 l/min

Weight

0.424 kg

Material

Housing material

Polyamide

Seal material

Acrylonitrile butadiene rubber

Material, front cover

Acrylonitrile butadiene styrene

Material threaded bushing

Die cast zinc

Part No.

R412006289

Technical information

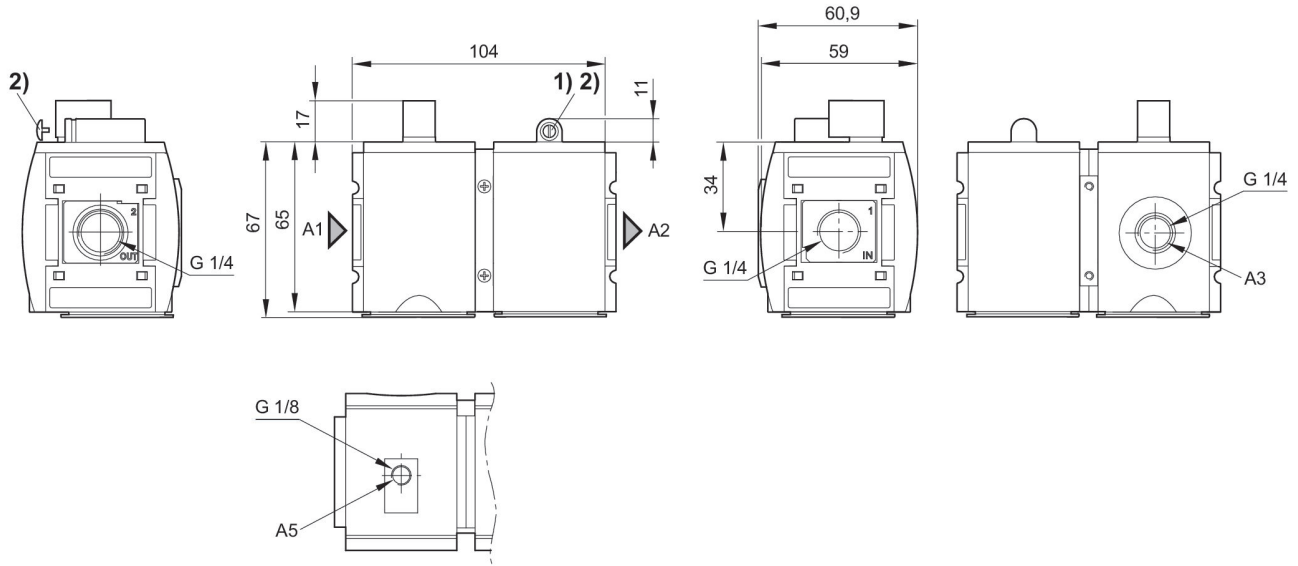
The pressure dew point must be at least 15 °C under ambient and medium temperature and may not exceed 3 °C .

Nominal flow Qn with secondary pressure $p_2 = 6$ bar at $\Delta p = 1$ bar

The filling valve builds up pressure slowly in the pneumatic systems, i.e. prevents a sudden pressure build-up during a recommissioning after a mains pressure failure or avoids emergency OFF switching. This allows dangerous abrupt cylinder motions to be avoided.

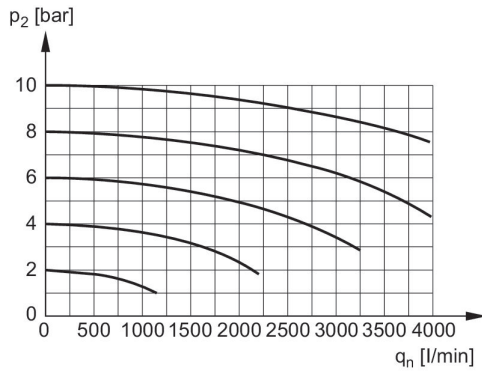
With adjustment screw lock

Dimensions in mm



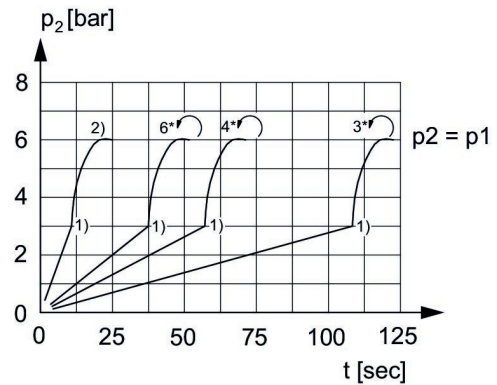
- A1 = input
- A2 = output
- A3 = ventilation port
- A5 = Control pressure connection
- 1) Adjustment screw for filling time
- 2) Adjustment screw lock

Flow rate characteristic



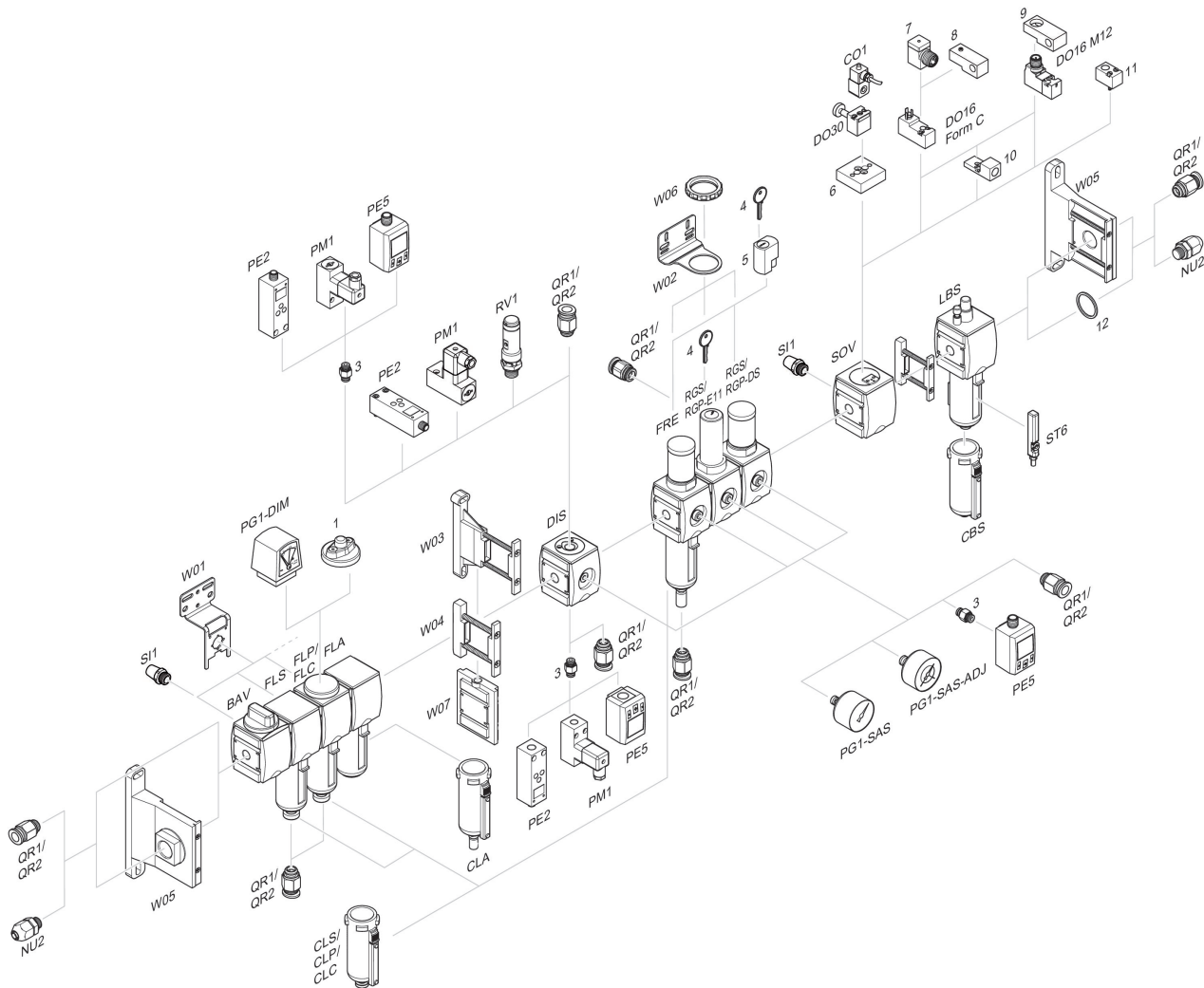
p_2 = Secondary pressure
 q_n = Nominal flow

Secondary pressure while filling



p_1 = Working pressure
 p_2 = Secondary pressure
 t = filling time, adjustable via adjustment screw (throttle)
 1) Switching point: adjustable filling time, fixed change-over pressure $\approx 0.5 \times p_1$ (50%)
 2) Throttle fully opened
 * Adjustment screw rotations

Accessories overview



1 = contamination display 3 = Double nipple 4 = Key for E11 locking 5 = mortise lock 6 = Transition plate DO30 7 = Adapter, Series CON-VP 8 = Mounting aid DO16, form C 9 = Mounting aid DO16, M12 10 = Adapter for external pilot air 11 = Adapter pneumatic operation 12 = Sealing ring