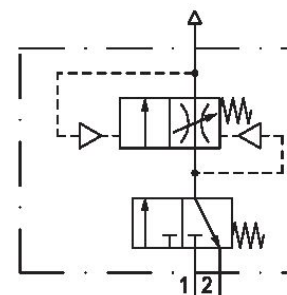


# Filling unit, electrically operated, Series AS2-SSU

R412006286

## General series information Series AS2

- The AVENTICS Series AS2 is a modular, versatile maintenance unit for universal application. This Series offers compact dimensions, is highly efficient, lightweight and easy-to-use. The AVENTICS Series AS guarantees reliability, safety, and efficiency with a simplified assembly and maintenance efforts.



## Technical data

Industry

Industrial

Type

adjustable filling time

Activation

Electrically

Nominal flow Qn

1300 l/min

Compressed air connection

G 1/4

Working pressure min.

2.5 bar

Working pressure max

10 bar

Sealing principle

soft seal

Pilot

Internal

Connection type

Pipe connection

Parts	3/2-directional valve Filling valve
Can be assembled into blocks basic valve with electrical connector	Can be assembled into blocks Basic valve without pilot valve, with CNOMO subbase
Type	Poppet valve
Min. ambient temperature	-10 °C
Max. ambient temperature	50 °C
Medium	Compressed air Neutral gases
Max. particle size	25 µm
Compressed air connection, exhaust	G 1/4
Nominal flow Qn 1 to 2	1300 l/min
Nominal flow Qn 2 to 3	380 l/min
Duty cycle	100 %
Protection class with connection	IP65
Weight	0.424 kg

## Material

Housing material	Polyamide
Seal material	Acrylonitrile butadiene rubber
Material threaded bushing	Die cast zinc
Material front plate	Acrylonitrile butadiene styrene
Part No.	R412006286

## Technical information

The pressure dew point must be at least 15 °C less than ambient and medium temperature and may not exceed 3 °C.

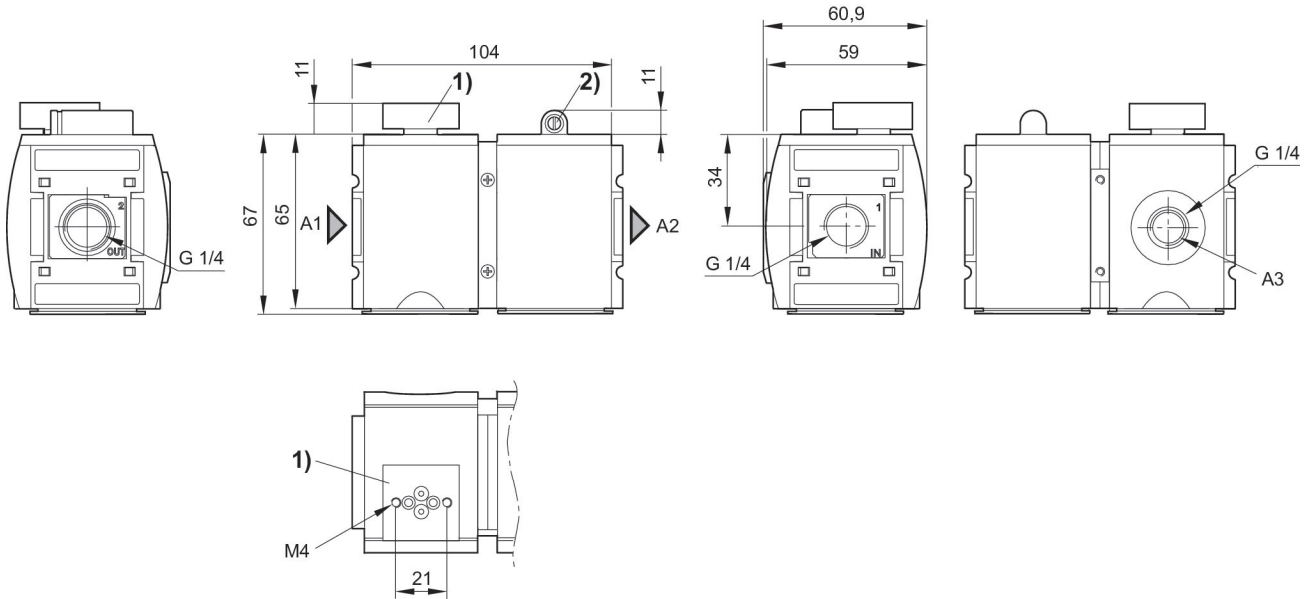
Nominal flow Qn with secondary pressure  $p_2 = 6$  bar at  $\Delta p = 1$  bar

A change in the flow direction (from air supply on the left to air supply on the right) occurs by rotating installation by 180° about the vertical axis. Please see the operating instructions for further details.

Do not position filling valves or filling units upstream of open consumers, such as nozzles, air barriers, air curtains, since these may prevent through connection of components.

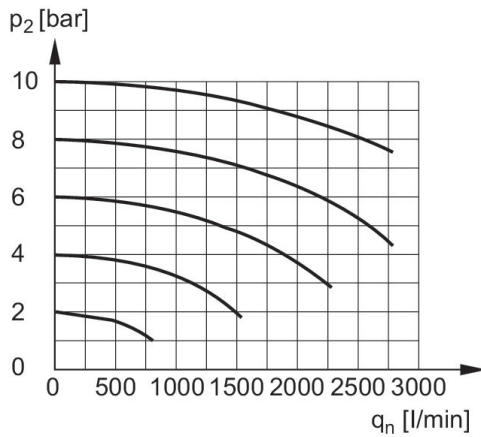
The filling valve builds up pressure slowly in the pneumatic systems, i.e. prevents a sudden pressure build-up during a recommissioning after a mains pressure failure or avoids emergency OFF switching. This allows dangerous abrupt cylinder motions to be avoided.

Dimensions in mm



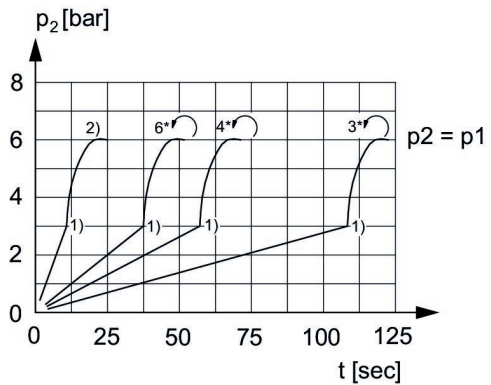
- A1 = input
- A2 = output
- A3 = ventilation port
- 1) Transition plate with CNOMO porting configuration for pilot valve DO30
- 2) Adjustment screw for filling time

Flow rate characteristic,  $p_2 = 0,05 - 7$  bar



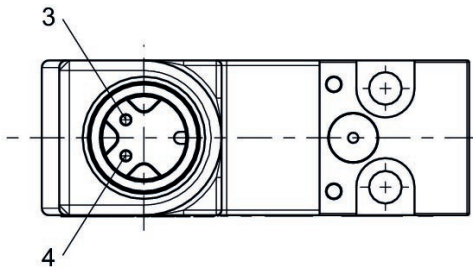
$p_2$  = Secondary pressure  
 $q_n$  = Nominal flow

Secondary pressure while filling



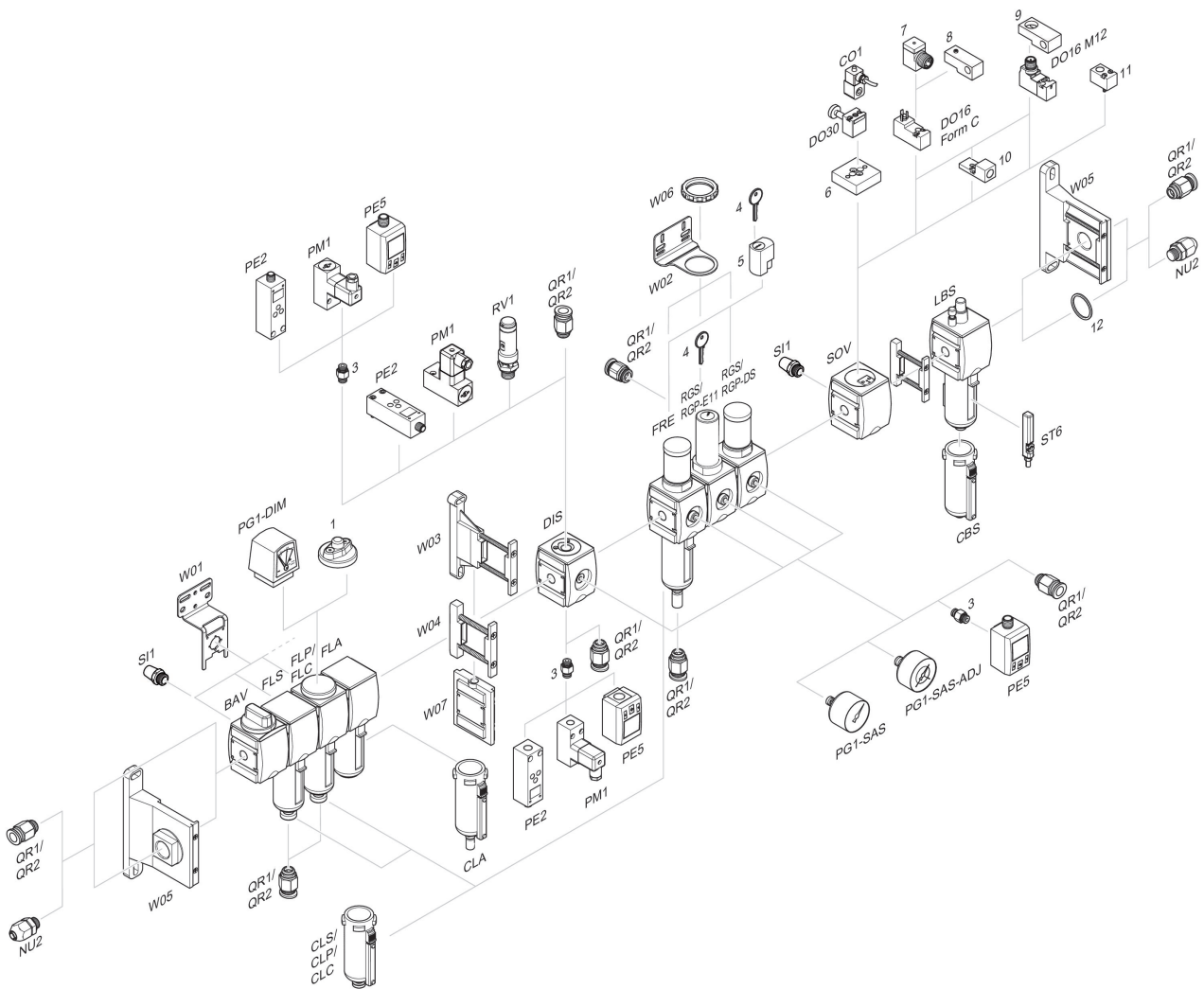
- $p_1$  = Working pressure
- $p_2$  = Secondary pressure
- $t$  = filling time, adjustable via adjustment screw (throttle)
- 1) Switching point: adjustable filling time, fixed change-over pressure  $\approx 0.5 \times p_1$  (50%)
- 2) Throttle fully opened
- \* Adjustment screw rotations

## Pin assignment M12x1



3: +/-  
4: +/-

## Accessories overview



1 = contamination display 3 = Double nipple 4 = Key for E11 locking 5 = mortise lock 6 = Transition plate DO30 7 = Adapter, Series CON-VP 8 = Mounting aid DO16, form C 9 = Mounting aid DO16, M12 10 = Adapter for external pilot air 11 = Adapter pneumatic operation 12 = Sealing ring