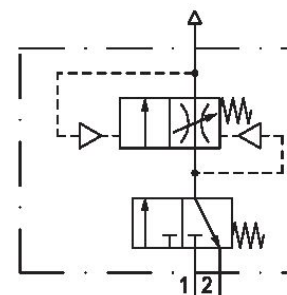


Filling unit, electrically operated, Series AS2-SSU

R412006277

General series information Series AS2

- The AVENTICS Series AS2 is a modular, versatile maintenance unit for universal application. This Series offers compact dimensions, is highly efficient, lightweight and easy-to-use. The AVENTICS Series AS guarantees reliability, safety, and efficiency with a simplified assembly and maintenance efforts.



Technical data

Industry

Type

Activation

Nominal flow Qn

Compressed air connection

Working pressure min.

Working pressure max

Sealing principle

Pilot

Connection type

Industrial

adjustable filling time

Electrically

1300 l/min

G 1/4

2.5 bar

10 bar

soft seal

Internal

Pipe connection

Parts	3/2-directional valve Filling valve
Can be assembled into blocks basic valve with electrical connector	Can be assembled into blocks Basic valve without pilot valve
Type	Poppet valve
Min. ambient temperature	-10 °C
Max. ambient temperature	50 °C
Medium	Compressed air Neutral gases
Max. particle size	25 µm
Compressed air connection, exhaust	G 1/4
Nominal flow Qn 1 to 2	1300 l/min
Nominal flow Qn 2 to 3	380 l/min
Duty cycle	100 %
Protection class with connection	IP65
Weight	0.424 kg

Material

Housing material	Polyamide
Seal material	Acrylonitrile butadiene rubber
Material threaded bushing	Die cast zinc
Material front plate	Acrylonitrile butadiene styrene
Part No.	R412006277

Technical information

The pressure dew point must be at least 15 °C less than ambient and medium temperature and may not exceed 3 °C.

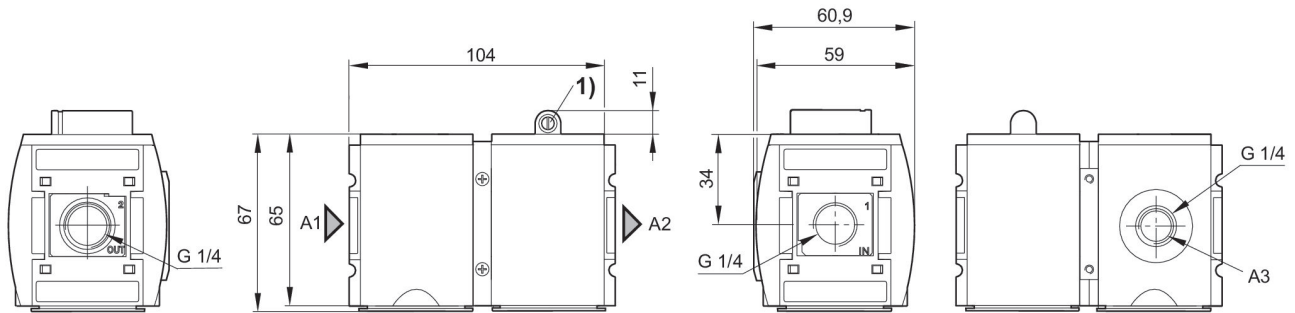
Nominal flow Qn with secondary pressure $p_2 = 6$ bar at $\Delta p = 1$ bar

A change in the flow direction (from air supply on the left to air supply on the right) occurs by rotating installation by 180° about the vertical axis. Please see the operating instructions for further details.

Do not position filling valves or filling units upstream of open consumers, such as nozzles, air barriers, air curtains, since these may prevent through connection of components.

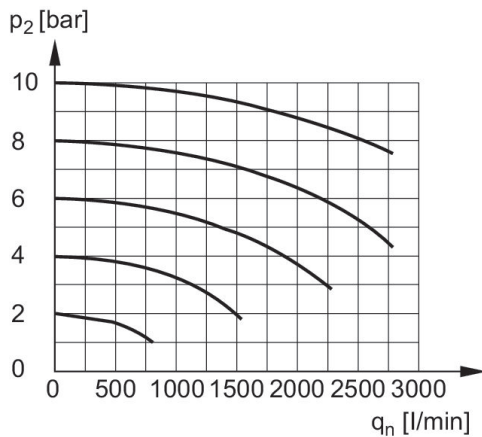
The filling valve builds up pressure slowly in the pneumatic systems, i.e. prevents a sudden pressure build-up during a recommissioning after a mains pressure failure or avoids emergency OFF switching. This allows dangerous abrupt cylinder motions to be avoided.

Dimensions in mm



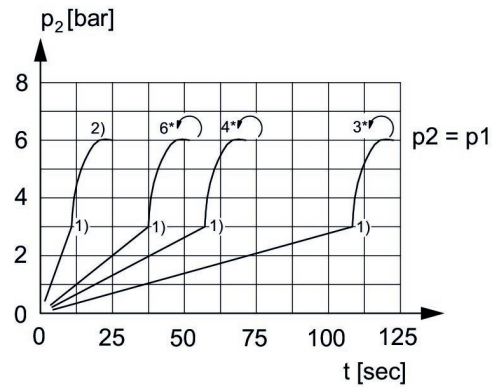
A1 = input
A2 = output
A3 = ventilation port
1) Adjustment screw for filling time

Flow rate characteristic, $p_2 = 0,05 - 7$ bar



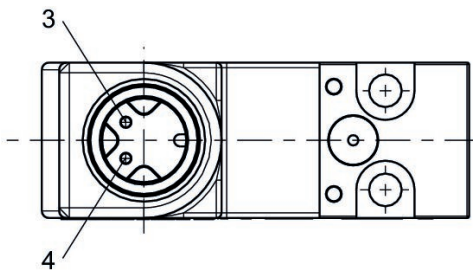
p_2 = Secondary pressure
 q_n = Nominal flow

Secondary pressure while filling



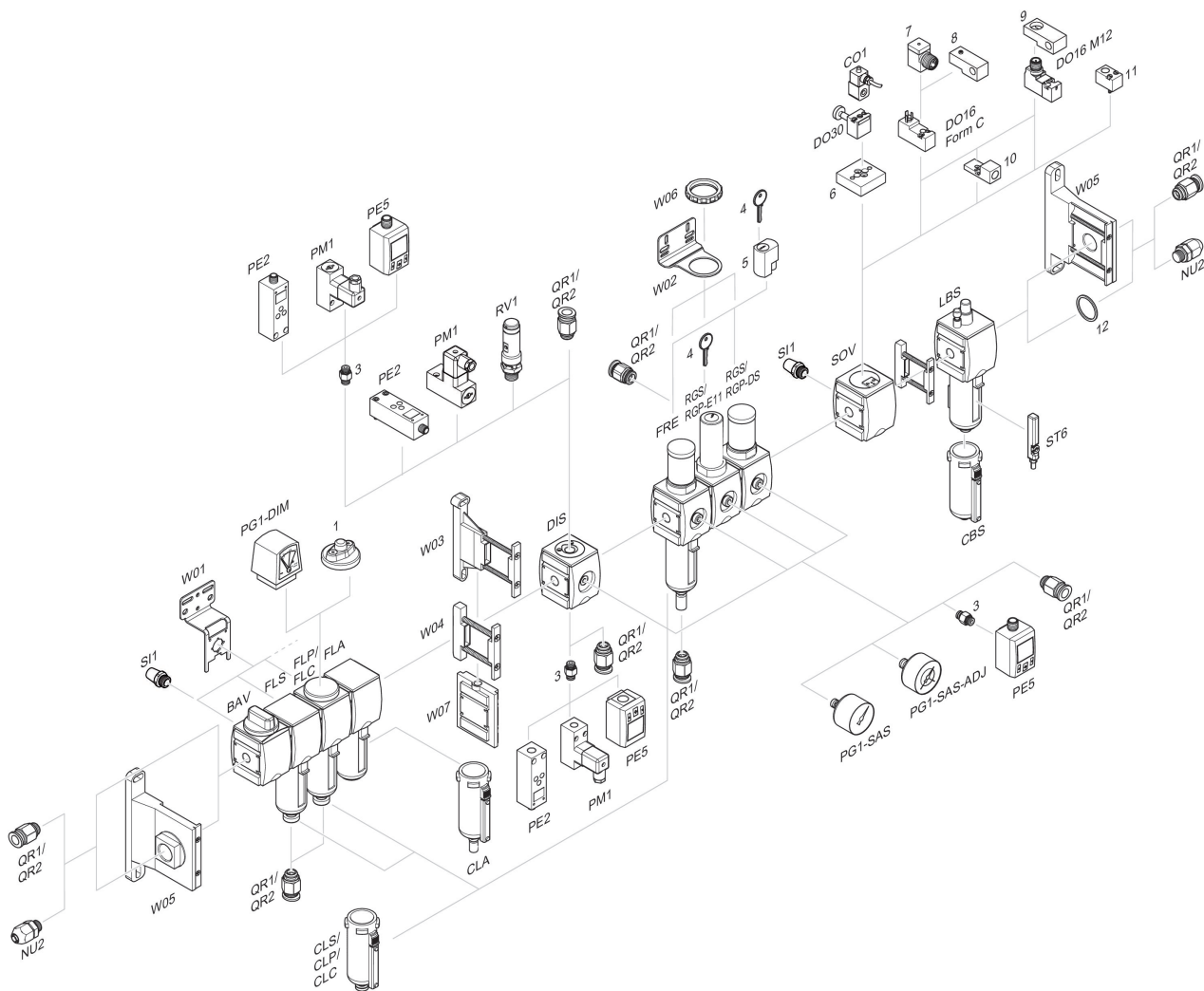
p_1 = Working pressure
 p_2 = Secondary pressure
 t = filling time, adjustable via adjustment screw (throttle)
1) Switching point: adjustable filling time, fixed change-over pressure $\approx 0.5 \times p_1$ (50%)
2) Throttle fully opened
* Adjustment screw rotations

Pin assignment M12x1



3: +/-
4: +/-

Accessories overview



1 = contamination display 3 = Double nipple 4 = Key for E11 locking 5 = mortise lock 6 = Transition plate DO30 7 = Adapter, Series CON-VP 8 = Mounting aid DO16, form C 9 = Mounting aid DO16, M12 10 = Adapter for external pilot air 11 = Adapter pneumatic operation 12 = Sealing ring