

AVENTICS Series AS3 Air Preparation Units

The AVENTICS Series AS3 is a modular, versatile maintenance unit for universal application. This Series offers compact dimensions, is highly efficient, lightweight and easy-to-use. The AVENTICS Series AS guarantees reliability, safety, and efficiency with a simplified assembly and maintenance efforts.



Technical data

Industry

Industrial

Parts

Air preparation units

Components

Shut-off valve

Filter pressure regulator

Reservoir

reservoir, polycarbonate, with PA protective guard

Port

G 3/8

Nominal flow Qn

5100 l/min

Filter porosity

5 µm

Condensate drain

semi-automatic, open without pressure

Pressure gauge

with pressure gauge

Min. working pressure

1.5 bar

Max. working pressure

16 bar

Min. ambient temperature

-10 °C

Max. ambient temperature

50 °C

Min. regulation range

0.5 bar

Max. regulation range

8 bar

Lock type

for padlocks

Type

2-part

Type

Can be assembled into blocks

| | |
|--|-----------------------------------|
| Pressure supply | single |
| Mounting orientation | vertical |
| Regulator type | Diaphragm-type pressure regulator |
| Regulator function | with relieving air exhaust |
| Filter element | exchangeable |
| Filter reservoir volume | 49 cm ³ |
| Max. achievable compressed air class acc. to ISO 8573-1:2010 | 6 : 7 : - |
| Medium | Compressed air Neutral gases |
| Weight | 2.16 kg |

Material

| | |
|---------------------------|---------------------------------|
| Housing material | Polyamide |
| Seal material | Acrylonitrile butadiene rubber |
| Material front plate | Acrylonitrile butadiene styrene |
| Material threaded bushing | Die cast zinc |
| Material reservoir | Polycarbonate |
| Material protective guard | Polyamide |
| Material filter insert | Polyethylene |
| Part No. | R412027671 |

Technical information

The pressure dew point must be at least 15 °C less than ambient and medium temperature and may not exceed 3 °C.

Note: Polycarbonate reservoirs are susceptible to solvents, supplementary information can be found at "Customer information".

A change in the flow direction (from air supply on the left to air supply on the right) occurs by rotating installation by 180° about the vertical axis. Please see the operating instructions for further details.

Also suitable for separation of fluid oil or water due to the design.

Nominal flow Q_n with secondary pressure $p_2 = 6$ bar at $\Delta p = 1$ bar

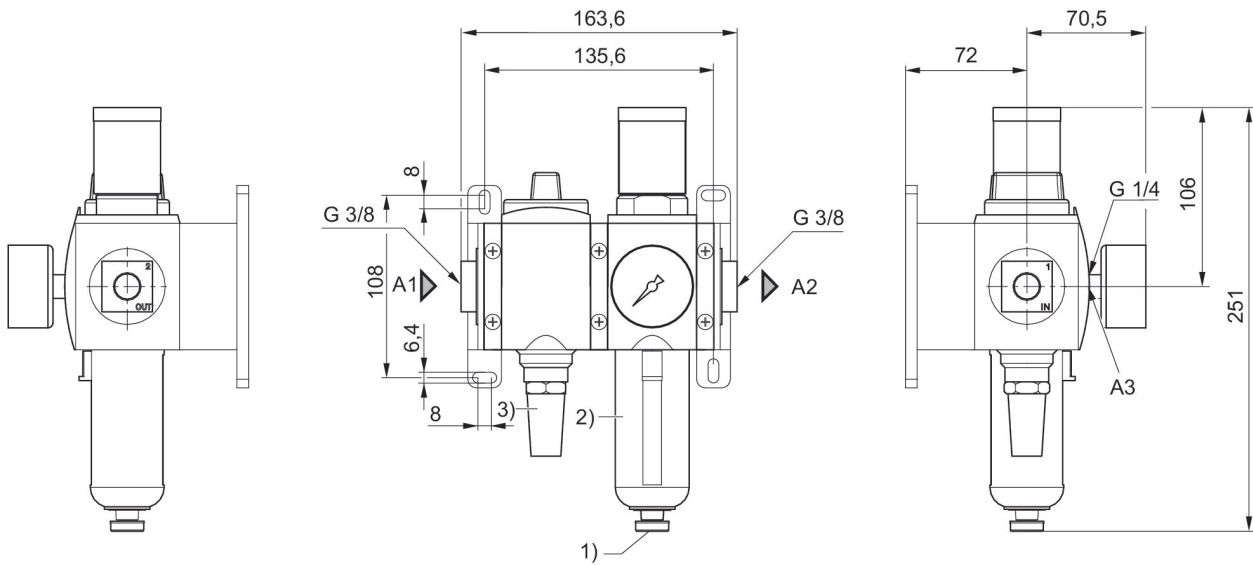
Air preparation unit, 2-part, Series AS3-ACC

AS3

R412027671

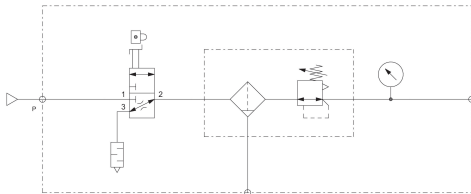
2024-03-20

Dimensions

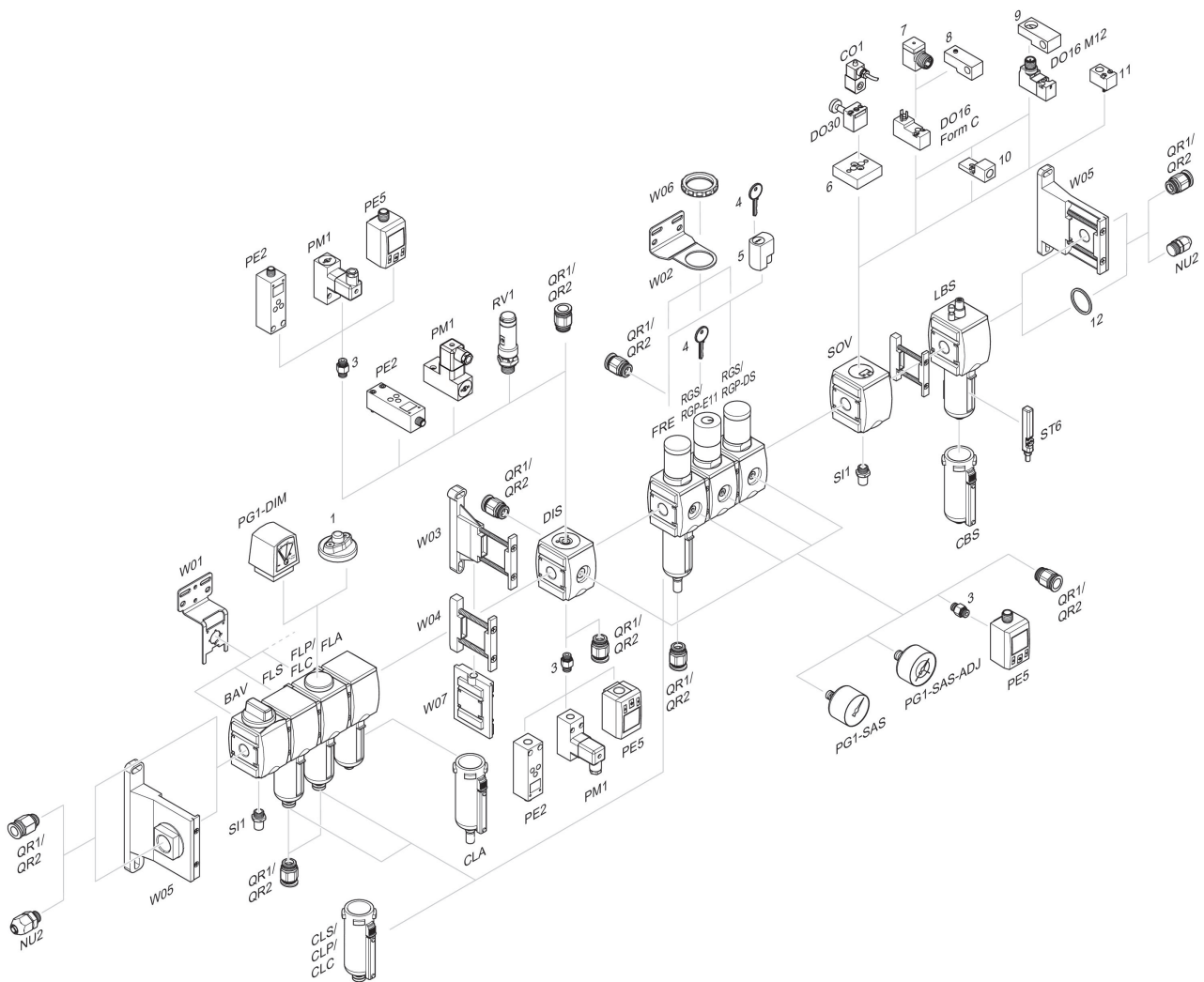


- A1 = input
- A2 = output
- A3 = pressure gauge connection
- 1) Semi-automatic condensate drain
- 2) Plastic reservoir and protective guard with window
- 3) Silencer

Block diagram



Accessories overview



1 = contamination display 3 = Double nipple 4 = Key for E11 locking 5 = mortise lock 6 = Transition plate DO30 7 = Adapter, Series CON-VP 8 = Mounting aid DO16, form C 9 = Mounting aid DO16, M12 10 = Adapter for external pilot air 11 = Adapter pneumatic operation 12 = Sealing ring