

# 3/2-shut-off valve, mechanically operated, Series AS3

Series AS3

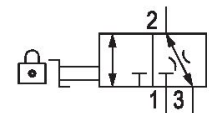
## AS3-BAV

2024-05-22

R412007261

### Series AS3

The AVENTICS Series AS3 is a modular, versatile maintenance unit for universal application. This Series offers compact dimensions, is highly efficient, lightweight and easy-to-use. The AVENTICS Series AS guarantees reliability, safety, and efficiency with a simplified assembly and maintenance efforts.



### Technical data

Industry	Industrial
Activation	Mechanical
Nominal flow Qn	11000 l/min
Compressed air connection	G 1/2
Min. working pressure	0 bar
Max. working pressure	16 bar
Actuating element	rotary switch
Sealing principle	metal/metal sealing
Type	Ball Valve
Parts	Shut-off valve
Lock type	lockable
Lock type	for padlocks
Can be assembled into blocks	Can be assembled into blocks
Min. ambient temperature	-10 °C
Max. ambient temperature	50 °C
Medium	Compressed air Neutral gases
Max. particle size	25 µm
Compressed air connection, exhaust	G 1/2
Nominal flow Qn 1 to 2	11000 l/min

# 3/2-shut-off valve, mechanically operated, Series AS3

Series AS3

2024-05-22

## AS3-BAV

R412007261	
Nominal flow $Q_n$ 2 to 3	130 l/min
Weight	0.446 kg
Housing material	Polyamide
Seal material	Polytetrafluorethylene
Material locking base	Die cast zinc
Material, front cover	Acrylonitrile butadiene styrene
Material threaded bushing	Die cast zinc
Material locking base	Die cast zinc
Material actuating control	Polyoxymethylene
Part No.	R412007261

### Technical information

The pressure dew point must be at least 15 °C less than ambient and medium temperature and may not exceed 3 °C.

Nominal flow  $Q_n$  with secondary pressure  $p_2 = 6$  bar at  $\Delta p = 1$  bar

A change in the flow direction (from air supply on the left to air supply on the right) occurs by rotating installation by 180° about the vertical axis. Please see the operating instructions for further details.

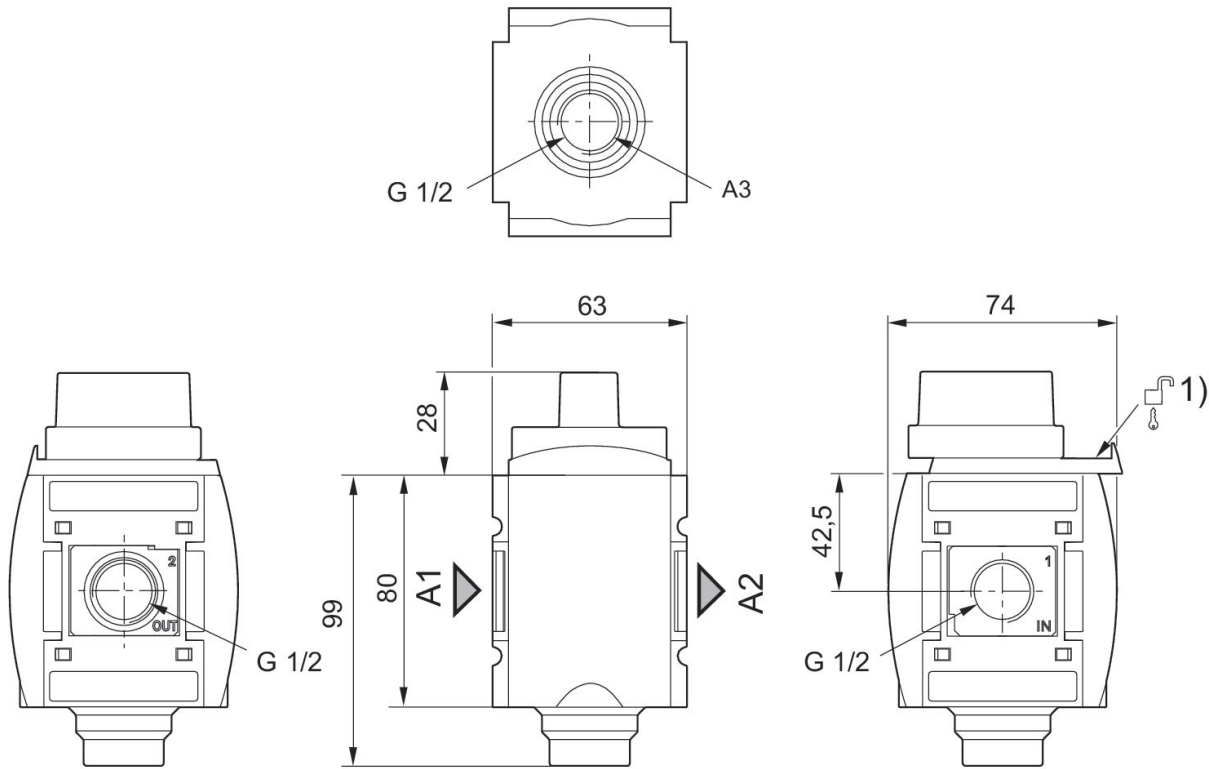
The delivered product may vary from that in the illustration.

# 3/2-shut-off valve, mechanically operated, Series AS3

Series AS3

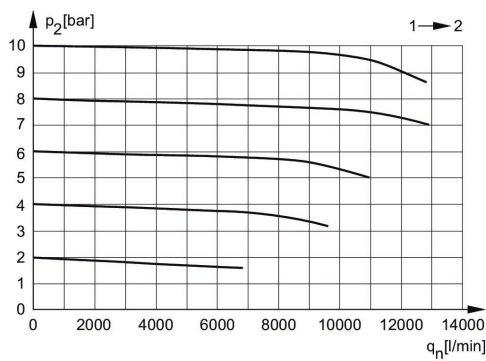
2024-05-22

R412007261  
Dimensions in mm (inch)



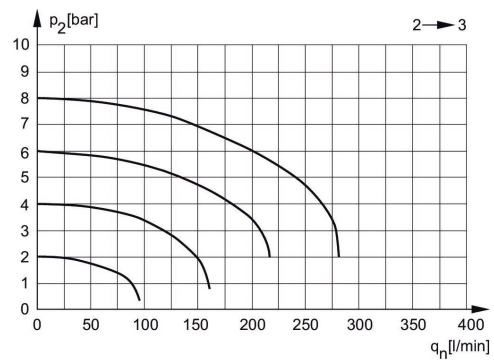
A1 = input  
A2 = output  
A3 = ventilation port  
1) Mounting option for padlocks, max. shackle  $\varnothing$  8

## Flow rate characteristic, $p_2 = 0,05 - 7$ bar



$p_2$  = Secondary pressure  
 $q_n$  = Nominal flow

## Rear exhaust



$p_2$  = Secondary pressure  
 $q_n$  = Nominal flow

# 3/2-shut-off valve, mechanically operated, Series AS3

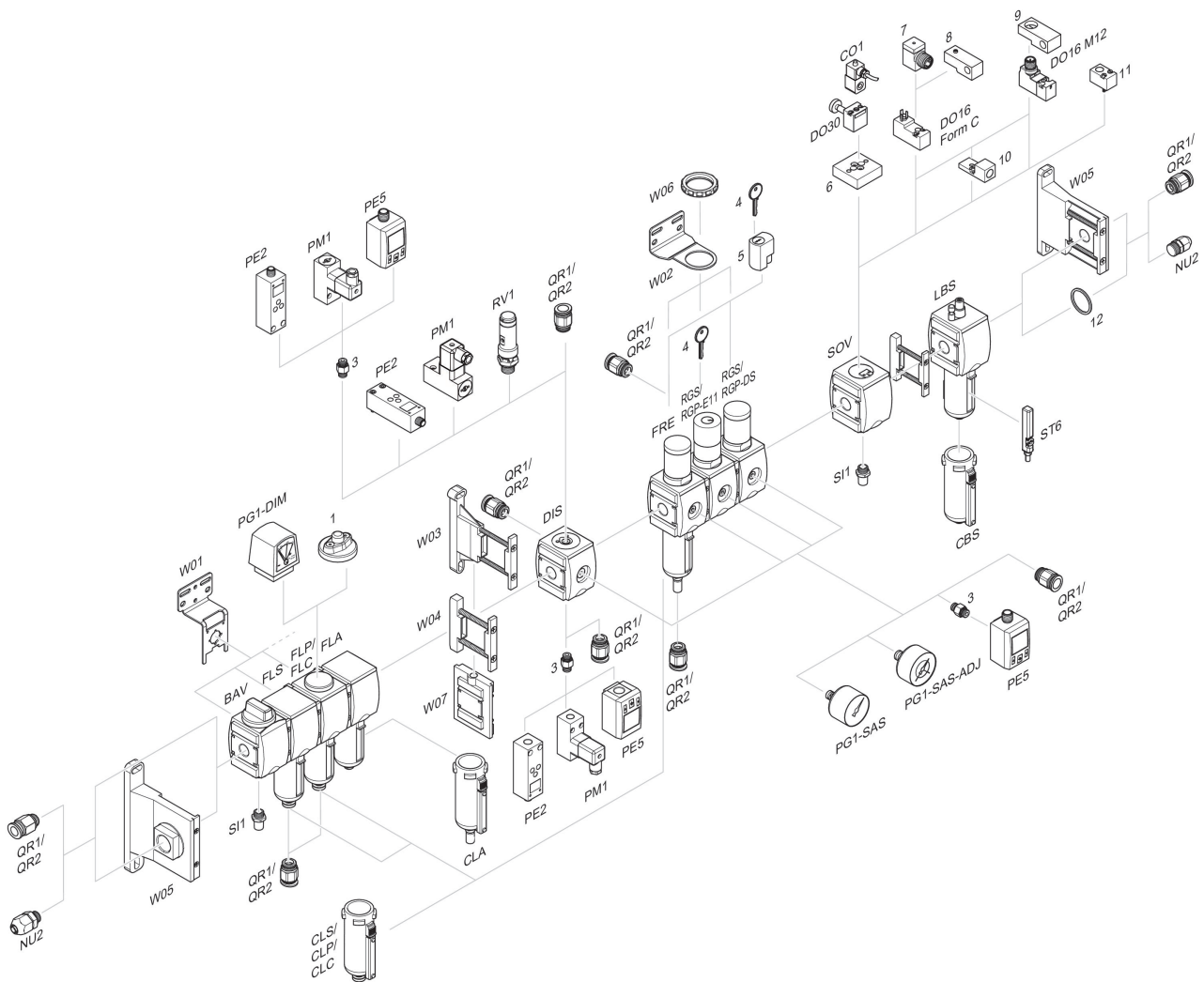
Series AS3

2024-05-22

## AS3-BAV

R412007261

### Accessories overview



1 = contamination display 3 = Double nipple 4 = Key for E11 locking 5 = mortise lock 6 = Transition plate DO30 7 = Adapter, Series CON-VP 8 = Mounting aid DO16, form C 9 = Mounting aid DO16, M12 10 = Adapter for external pilot air 11 = Adapter pneumatic operation 12 = Sealing ring