

3/2-shut-off valve, mechanically operated, Series AS3

Series AS3

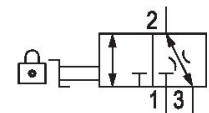
AS3-BAV

2024-05-22

R412007260

Series AS3

The AVENTICS Series AS3 is a modular, versatile maintenance unit for universal application. This Series offers compact dimensions, is highly efficient, lightweight and easy-to-use. The AVENTICS Series AS guarantees reliability, safety, and efficiency with a simplified assembly and maintenance efforts.



Technical data

Industry	Industrial
Activation	Mechanical
Nominal flow Qn	11000 l/min
Compressed air connection	G 3/8
Min. working pressure	0 bar
Max. working pressure	16 bar
Actuating element	rotary switch
Sealing principle	metal/metal sealing
Type	Ball Valve
Parts	Shut-off valve
Lock type	lockable
Lock type	for padlocks
Can be assembled into blocks	Can be assembled into blocks
Min. ambient temperature	-10 °C
Max. ambient temperature	50 °C
Medium	Compressed air Neutral gases
Max. particle size	25 µm
Compressed air connection, exhaust	G 1/2
Nominal flow Qn 1 to 2	11000 l/min

3/2-shut-off valve, mechanically operated, Series AS3

Series AS3

2024-05-22

AS3-BAV

R412007260

Nominal flow Q_n 2 to 3

130 l/min

Weight

0.446 kg

Housing material

Polyamide

Seal material

Polytetrafluorethylene

Material locking base

Die cast zinc

Material, front cover

Acrylonitrile butadiene styrene

Material threaded bushing

Die cast zinc

Material locking base

Die cast zinc

Material actuating control

Polyoxymethylene

Part No.

R412007260

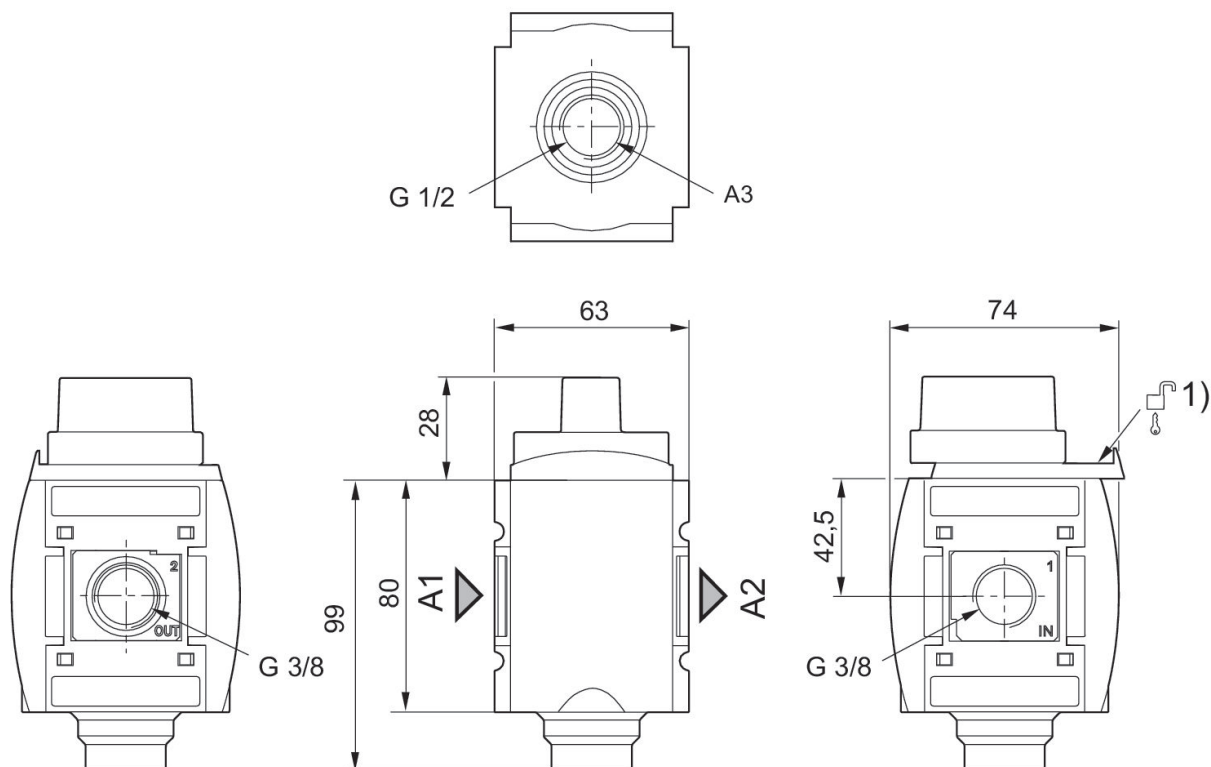
Technical information

The pressure dew point must be at least 15 °C less than ambient and medium temperature and may not exceed 3 °C.

Nominal flow Q_n with secondary pressure $p_2 = 6$ bar at $\Delta p = 1$ bar

A change in the flow direction (from air supply on the left to air supply on the right) occurs by rotating installation by 180° about the vertical axis. Please see the operating instructions for further details.

Dimensions in mm



A1 = input

3/2-shut-off valve, mechanically operated, Series AS3

Series AS3

2024-05-22

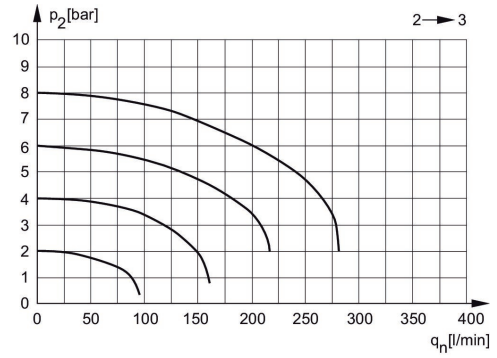
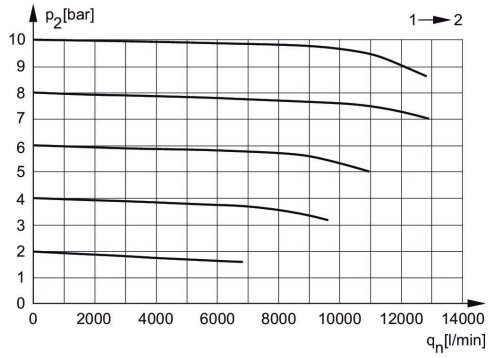
R412007260

A2 = output

A3 = ventilation port

1) Mounting option for padlocks, max. shackle Ø 8

Flow rate characteristic, $p_2 = 0,05 - 7$ bar Rear exhaust
bar



p_2 = Secondary pressure
 q_n = Nominal flow

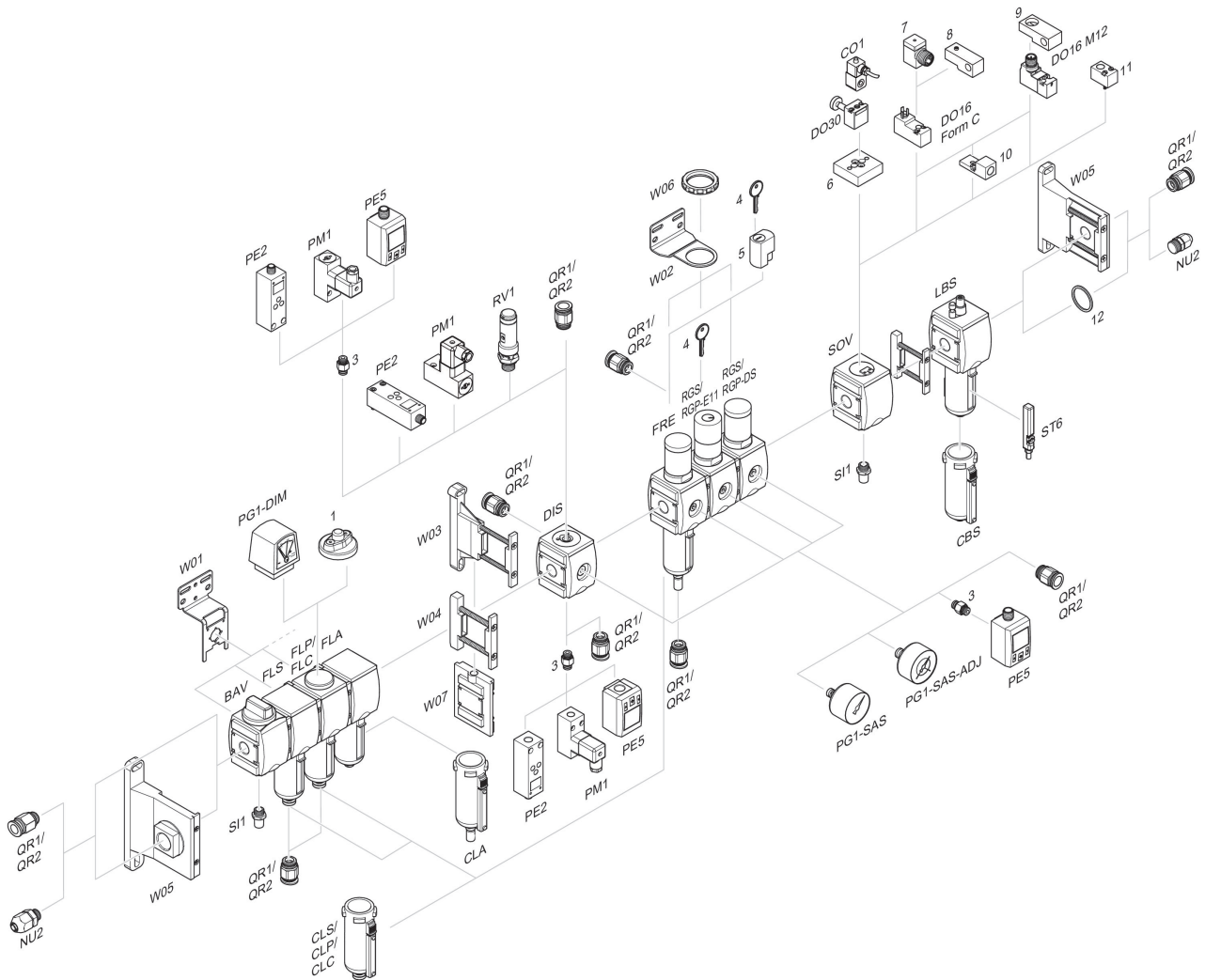
p_2 = Secondary pressure
 q_n = Nominal flow

3/2-shut-off valve, mechanically operated, Series AS3

Series AS3
2024-05-22

AS3-BAV

R412007260
Accessories overview



1 = contamination display 3 = Double nipple 4 = Key for E11 locking 5 = mortise lock 6 = Transition plate DO30 7 = Adapter, Series CON-VP 8 = Mounting aid DO16, form C 9 = Mounting aid DO16, M12 10 = Adapter for external pilot air 11 = Adapter pneumatic operation 12 = Sealing ring