

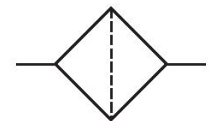
Active carbon filter, Series AS3-FLA

2024-03-25

R412007077

Series AS3

The AVENTICS Series AS3 is a modular, versatile maintenance unit for universal application. This Series offers compact dimensions, is highly efficient, lightweight and easy-to-use. The AVENTICS Series AS guarantees reliability, safety, and efficiency with a simplified assembly and maintenance efforts.



Technical data

Industry	Industrial
Parts	Active carbon filter
Reservoir	reservoir, metal, with inspection glass
Port	G 1/2
Nominal flow Qn	1000 l/min
Condensate drain	without
Min. working pressure	0 bar
Max. working pressure	16 bar
Min. ambient temperature	-10 °C
Max. ambient temperature	50 °C
Medium	Compressed air Neutral gases
Max. achievable compressed air class acc. to ISO 8573-1:2010	- : - : 1
Filter reservoir volume	49 cm ³
Filter element	exchangeable
Recommended pre-filtering	0.01 µm
Weight	0.73 kg
inspection glass	with window
Mounting orientation	vertical

Active carbon filter, Series AS3-FLA

2024-03-25

R412007077

Type

Can be assembled into blocks

Material

Housing material

Polyamide

Material front plate

Acrylonitrile butadiene styrene

Seal material

Acrylonitrile butadiene rubber

Material threaded bushing

Die cast zinc

Material reservoir

Die cast zinc

Material filter insert

Active carbon

Part No.

R412007077

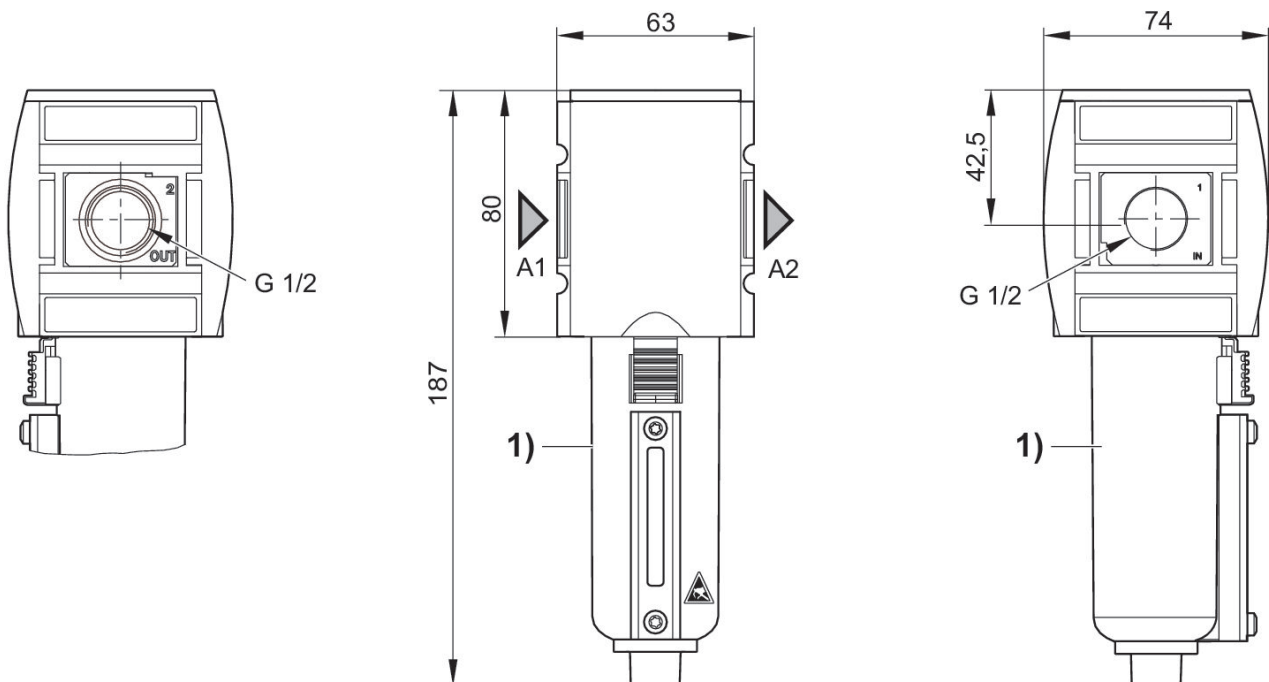
Technical information

The pressure dew point must be at least 15 °C less than ambient and medium temperature and may not exceed 3 °C.

Nominal flow Q_n with secondary pressure $p_2 = 6$ bar at $\Delta p = 0,1$ bar

A change in the flow direction (from air supply on the left to air supply on the right) occurs by rotating installation by 180° about the vertical axis. Please see the operating instructions for further details.

Dimensions in mm



A1 = input

A2 = output

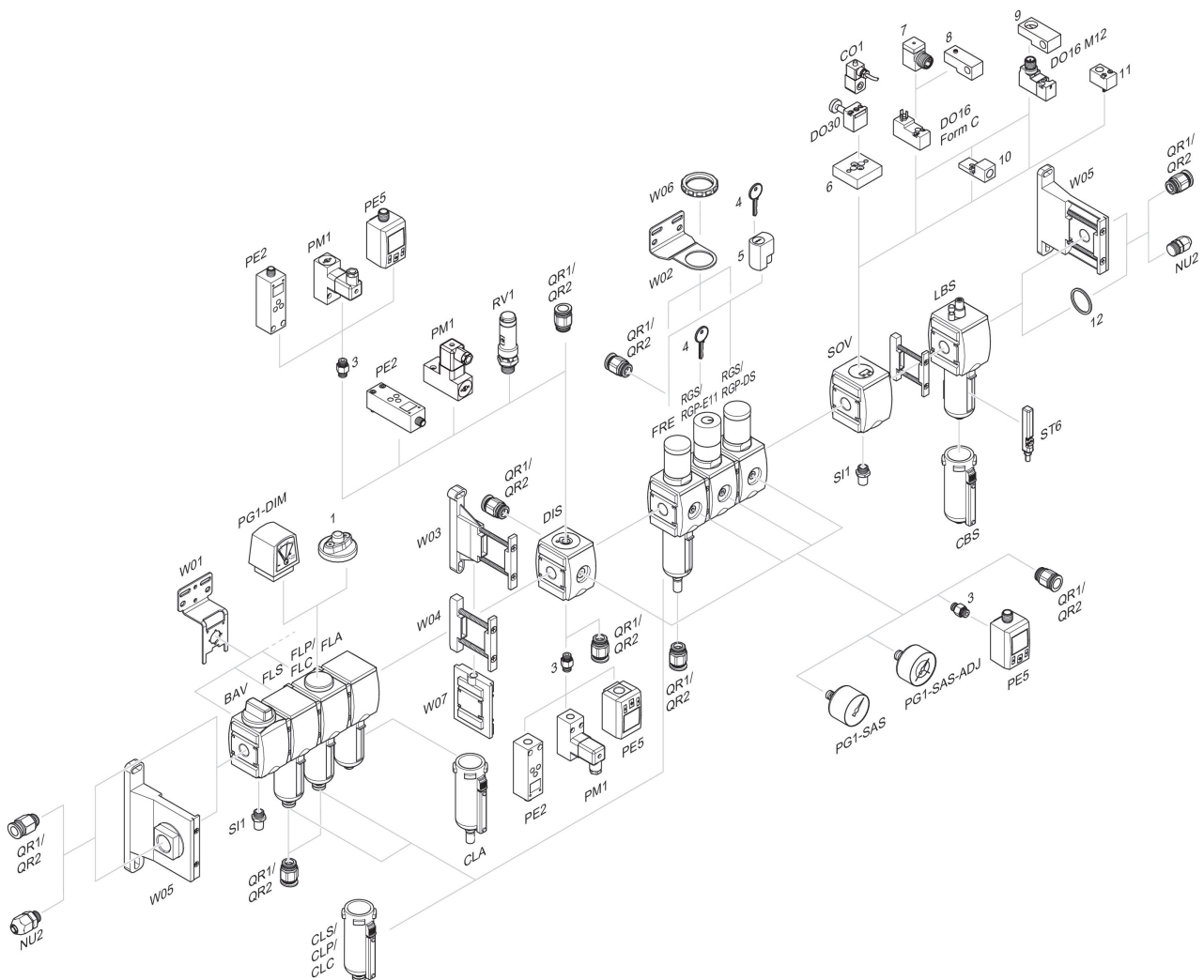
1) Metal reservoir with level indicator

Active carbon filter, Series AS3-FLA

2024-03-25

R412007077

Accessories overview



1 = contamination display 3 = Double nipple 4 = Key for E11 locking 5 = mortise lock 6 = Transition plate DO30 7 = Adapter, Series CON-VP 8 = Mounting aid DO16, form C 9 = Mounting aid DO16, M12 10 = Adapter for external pilot air 11 = Adapter pneumatic operation 12 = Sealing ring