

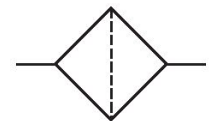
Active carbon filter, Series AS3-FLA

2024-03-25

R412007072

Series AS3

The AVENTICS Series AS3 is a modular, versatile maintenance unit for universal application. This Series offers compact dimensions, is highly efficient, lightweight and easy-to-use. The AVENTICS Series AS guarantees reliability, safety, and efficiency with a simplified assembly and maintenance efforts.



Technical data

Industry	Industrial
Parts	Active carbon filter
Reservoir	reservoir, polycarbonate, with PA protective guard
Port	G 3/8
Nominal flow Qn	1000 l/min
Condensate drain	without
Min. working pressure	0 bar
Max. working pressure	16 bar
Min. ambient temperature	-10 °C
Max. ambient temperature	50 °C
Medium	Compressed air Neutral gases
Max. achievable compressed air class acc. to ISO 8573-1:2010	- : - : 1
Filter reservoir volume	49 cm ³
Filter element	exchangeable
Recommended pre-filtering	0.01 µm
Weight	0.375 kg
Mounting orientation	vertical

Active carbon filter, Series AS3-FLA

2024-03-25

R412007072

Type Can be assembled into blocks

Material

Housing material	Polyamide
Material front plate	Acrylonitrile butadiene styrene
Seal material	Acrylonitrile butadiene rubber
Material threaded bushing	Die cast zinc
Material reservoir	Polycarbonate
Material protective guard	Polyamide
Material filter insert	Active carbon
Part No.	R412007072

Technical information

The pressure dew point must be at least 15 °C less than ambient and medium temperature and may not exceed 3 °C.

Note: Polycarbonate reservoirs are susceptible to solvents, supplementary information can be found at "Customer information".

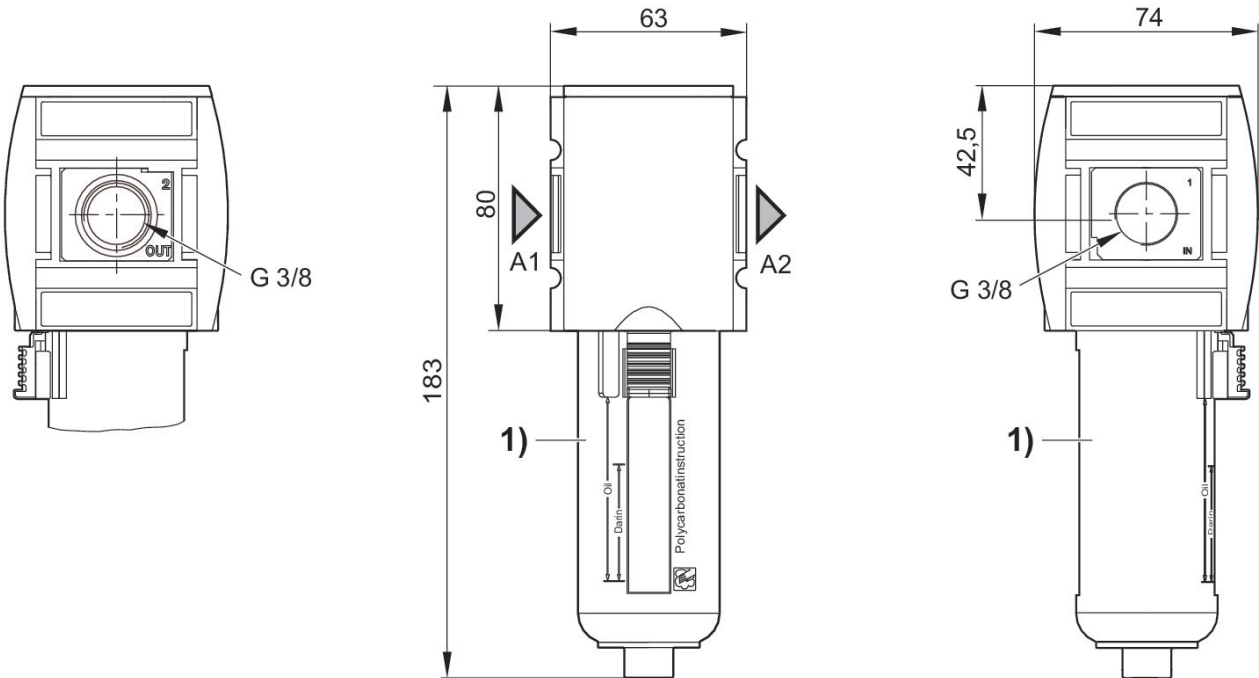
A change in the flow direction (from air supply on the left to air supply on the right) occurs by rotating installation by 180° about the vertical axis. Please see the operating instructions for further details.

Active carbon filter, Series AS3-FLA

2024-03-25

R412007072

Dimensions in mm



A1 = input
A2 = output

1) Plastic reservoir and protective guard with window

Active carbon filter, Series AS3-FLA

2024-03-25

R412007072

Accessories overview

