

Series AS3

The AVENTICS Series AS3 is a modular, versatile maintenance unit for universal application. This Series offers compact dimensions, is highly efficient, lightweight and easy-to-use. The AVENTICS Series AS guarantees reliability, safety, and efficiency with a simplified assembly and maintenance efforts.



Technical data

Industry	Industrial
Parts	Pre-filter
Reservoir	reservoir, metal, with inspection glass
Port	G 3/8
Nominal flow Qn	900 l/min
Condensate drain	semi-automatic, open without pressure
Min. working pressure	1.5 bar
Max. working pressure	16 bar
Min. ambient temperature	-10 °C
Max. ambient temperature	50 °C
Medium	Compressed air Neutral gases
Max. achievable compressed air class acc. to ISO 8573-1:2010	2 : - : 3
Filter reservoir volume	49 cm ³
Filter element	exchangeable
Recommended pre-filtering	5 µm
Weight	0.778 kg
inspection glass	with window
Mounting orientation	vertical

Pre-filter, Series AS3-FLP

2024-03-20

R412007024

Type Can be assembled into blocks

Material

Housing material	Polyamide
Material front plate	Acrylonitrile butadiene styrene
Seal material	Acrylonitrile butadiene rubber
Material threaded bushing	Die cast zinc
Material reservoir	Die cast zinc
Material filter insert	Impregnated paper
Part No.	R412007024

Technical information

The pressure dew point must be at least 15 °C less than ambient and medium temperature and may not exceed 3 °C.

Nominal flow Q_n with secondary pressure $p_2 = 6$ bar at $\Delta p = 0,1$ bar

A change in the flow direction (from air supply on the left to air supply on the right) occurs by rotating installation by 180° about the vertical axis. Please see the operating instructions for further details.

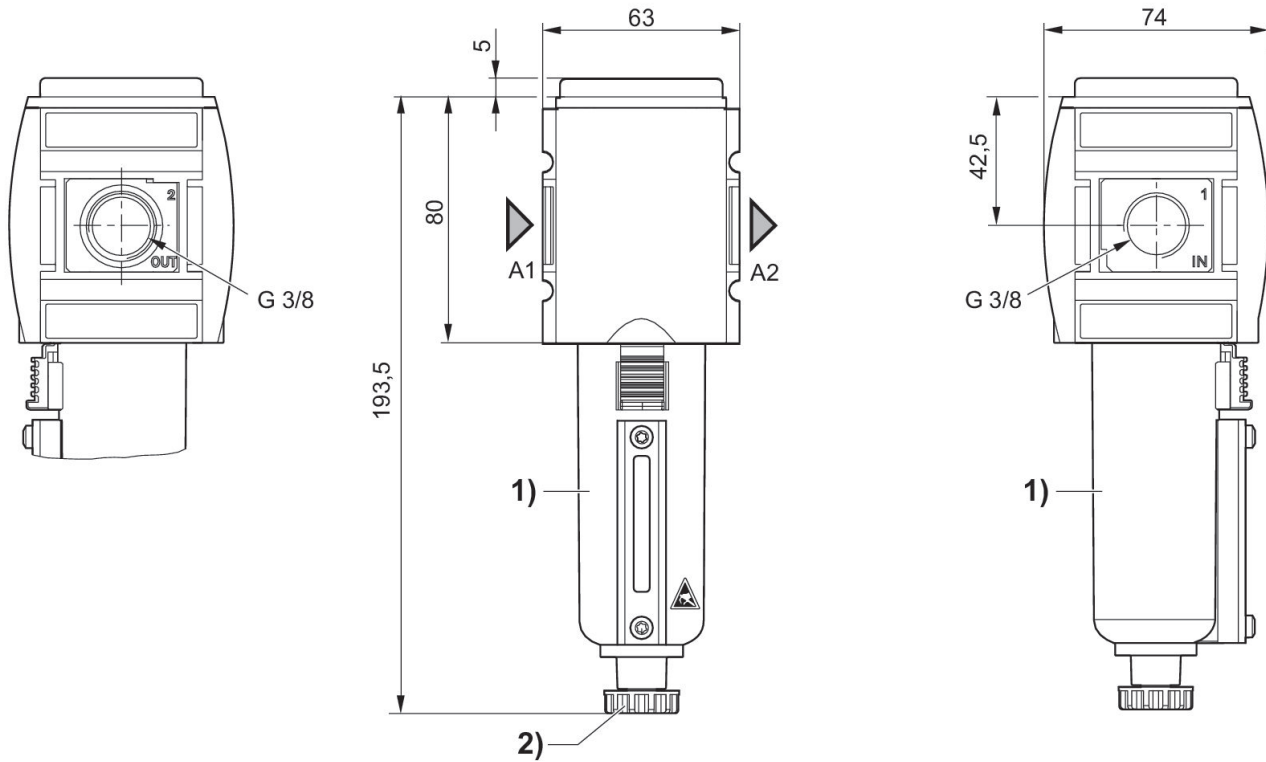
Dust separation = 99.99%

Pre-filter, Series AS3-FLP

2024-03-20

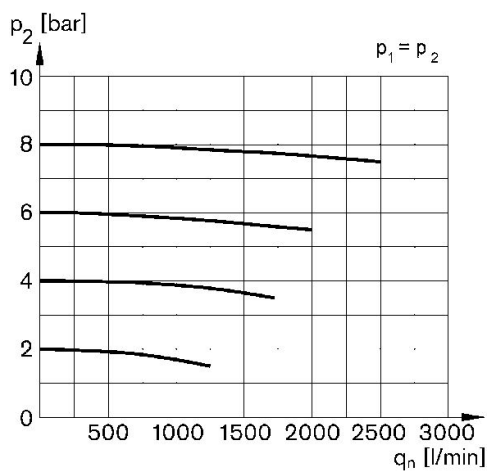
R412007024

Dimensions in mm



- A1 = input
- A2 = output
- 1) Metal reservoir with level indicator
- 2) Semi-automatic condensate drain

Flow rate characteristic, $p_2 = 0,05 - 7$ bar



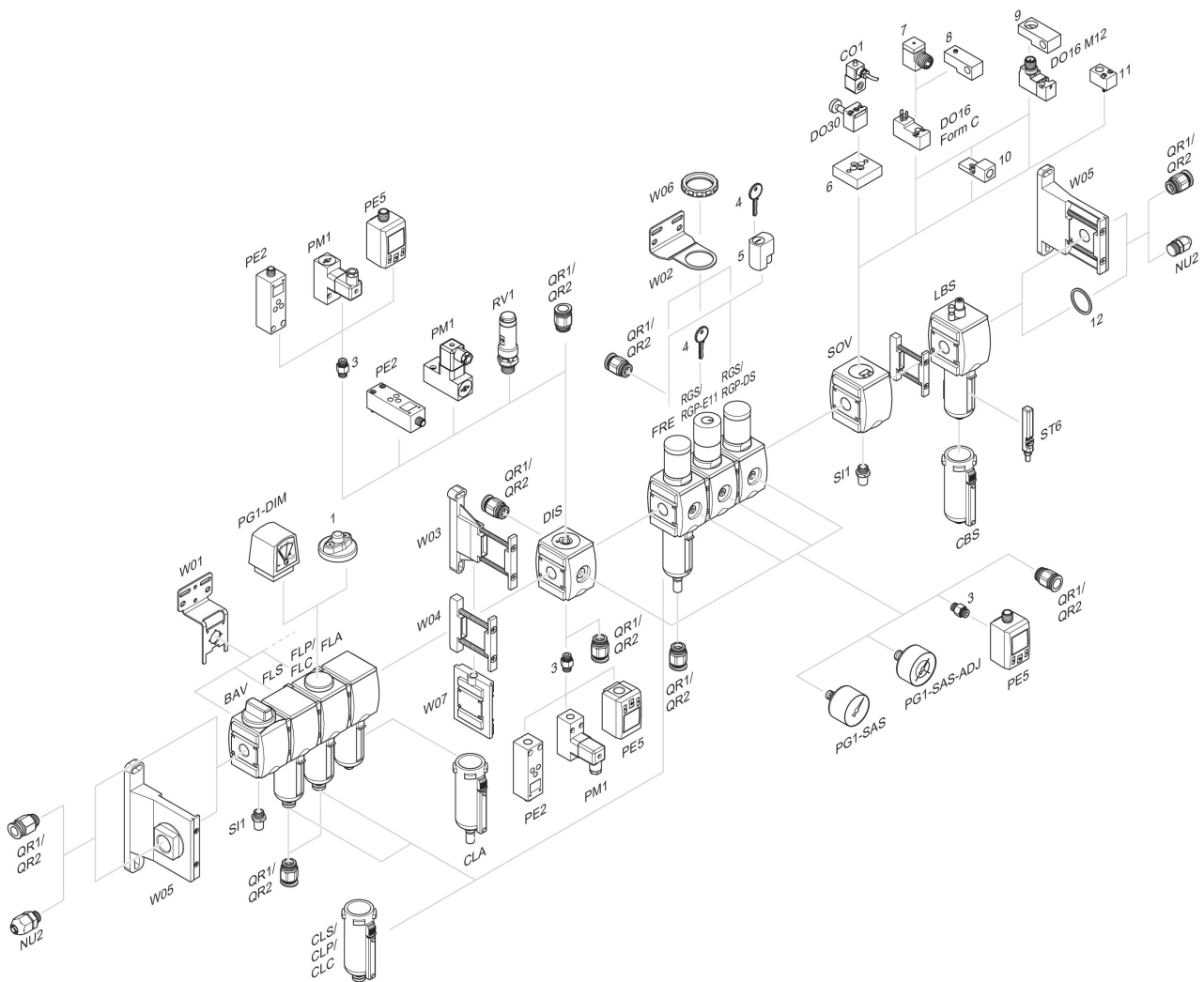
- p_1 = Working pressure
- p_2 = Secondary pressure
- q_n = Nominal flow

Pre-filter, Series AS3-FLP

2024-03-20

R412007024

Accessories overview



1 = contamination display 3 = Double nipple 4 = Key for E11 locking 5 = mortise lock 6 = Transition plate DO30 7 = Adapter, Series CON-VP 8 = Mounting aid DO16, form C 9 = Mounting aid DO16, M12 10 = Adapter for external pilot air 11 = Adapter pneumatic operation 12 = Sealing ring