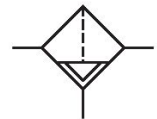


Series AS3

The AVENTICS Series AS3 is a modular, versatile maintenance unit for universal application. This Series offers compact dimensions, is highly efficient, lightweight and easy-to-use. The AVENTICS Series AS guarantees reliability, safety, and efficiency with a simplified assembly and maintenance efforts.



Technical data

| | |
|--|---|
| Industry | Industrial |
| Parts | Filter |
| Reservoir | reservoir, metal, with inspection glass |
| Port | G 1/2 |
| Nominal flow Qn | 3500 l/min |
| Condensate drain | semi-automatic, open without pressure |
| Min. working pressure | 1.5 bar |
| Max. working pressure | 16 bar |
| Min. ambient temperature | -10 °C |
| Max. ambient temperature | 50 °C |
| Medium | Compressed air Neutral gases |
| Max. achievable compressed air class acc. to ISO 8573-1:2010 | 7 : 7 : - |
| Filter reservoir volume | 49 cm ³ |
| Filter element | exchangeable |
| Weight | 0.361 kg |
| Mounting orientation | vertical |
| Type | Can be assembled into blocks |

Material

| | |
|---------------------------|---------------------------------|
| Housing material | Polyamide |
| Material front plate | Acrylonitrile butadiene styrene |
| Seal material | Acrylonitrile butadiene rubber |
| Material threaded bushing | Die cast zinc |
| Material reservoir | Die cast zinc |
| Material filter insert | Polyethylene |
| Part No. | R412007090 |

Technical information

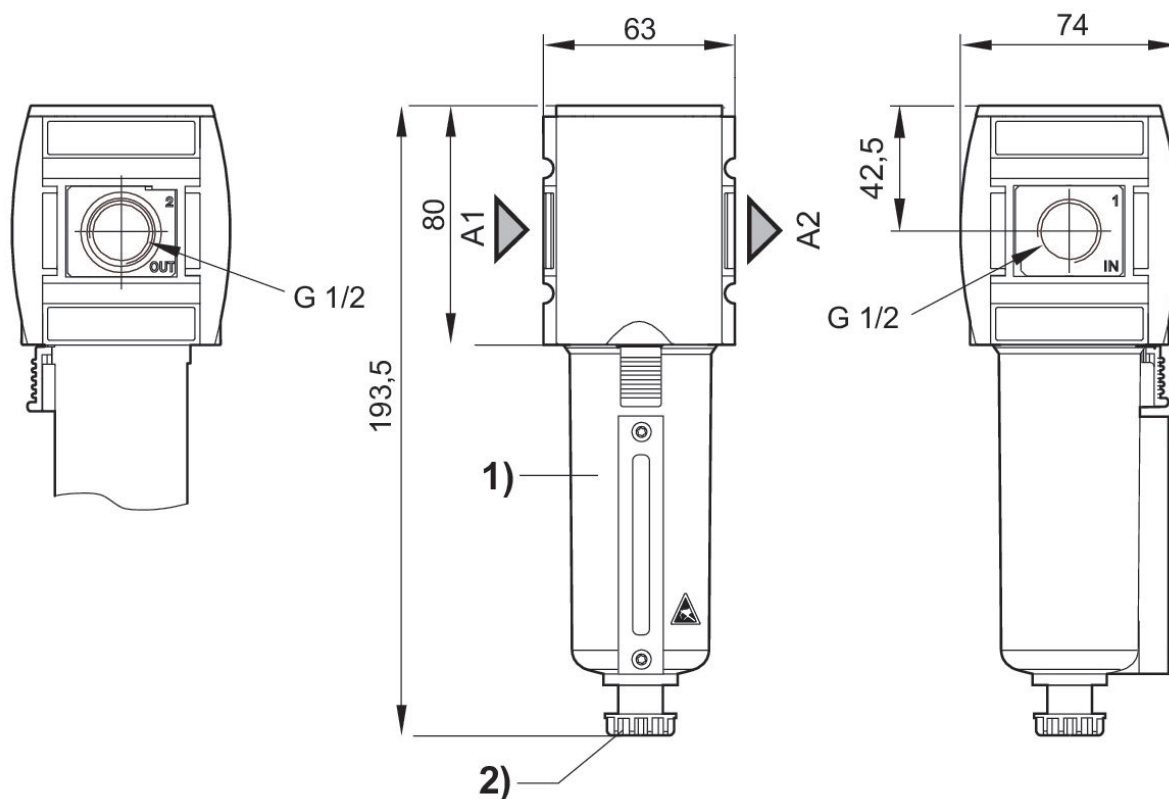
The pressure dew point must be at least 15 °C less than ambient and medium temperature and may not exceed 3 °C.

Nominal flow Q_n with secondary pressure $p_2 = 6$ bar at $\Delta p = 1$ bar

A change in the flow direction (from air supply on the left to air supply on the right) occurs by rotating installation by 180° about the vertical axis. Please see the operating instructions for further details.

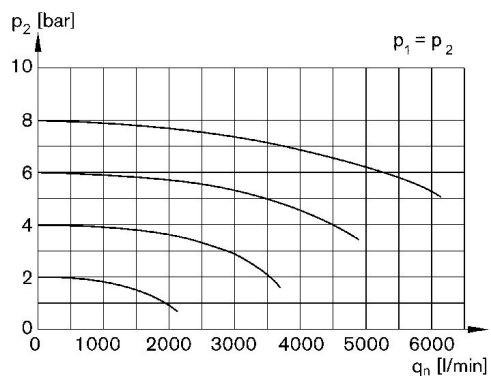
Also suitable for separation of fluid oil or water due to the design.

Dimensions in mm



- A1 = input
- A2 = output
- 1) Metal reservoir with level indicator
- 2) Semi-automatic condensate drain

Flow rate characteristic, $p_2 = 0,05 - 7$ bar



- p_1 = Working pressure
- p_2 = Secondary pressure
- q_n = Nominal flow

Accessories overview



1 = contamination display 3 = Double nipple 4 = Key for E11 locking 5 = mortise lock 6 = Transition plate DO30 7 = Adapter, Series CON-VP 8 = Mounting aid DO16, form C 9 = Mounting aid DO16, M12 10 = Adapter for external pilot air 11 = Adapter pneumatic operation 12 = Sealing ring