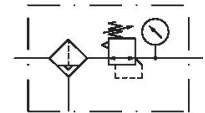


## AVENTICS Series AS3 Air Preparation Units

The AVENTICS Series AS3 is a modular, versatile maintenance unit for universal application. This Series offers compact dimensions, is highly efficient, lightweight and easy-to-use. The AVENTICS Series AS guarantees reliability, safety, and efficiency with a simplified assembly and maintenance efforts.



## Technical data

|                          |  |
|--------------------------|--|
| Industry                 | Industrial   |
| Parts                    | Filter pressure regulator                          |
| Reservoir                | reservoir, polycarbonate, with PA protective guard |
| Port                     | G 1/2  |
| Nominal flow Qn          | 5100 l/min   |
| Filter porosity          | 5 µm   |
| Condensate drain         | fully automatic, open without pressure             |
| Pressure gauge           | with pressure gauge                                |
| Min. working pressure    | 1.5 bar  |
| Max. working pressure    | 16 bar   |
| Min. ambient temperature | -10 °C   |
| Max. ambient temperature | 50 °C  |
| Min. regulation range    | 0.5 bar  |
| Max. regulation range    | 16 bar   |
| Lock type                | for padlocks                                       |
| Type                     | 1-part   |
| Type                     | Can be assembled into blocks                       |
| Pressure supply          | single   |
| Mounting orientation     | vertical   |

# Filter pressure regulator, Series AS3-FRE

R412007237

Series AS3

2024-05-15

---

|  |                                   |
|--|-----------------------------------|
| Regulator type   | Diaphragm-type pressure regulator |
| Regulator function   | with relieving air exhaust        |
| Filter element   | exchangeable                      |
| Filter reservoir volume                                      | 49 cm <sup>3</sup>                |
| Max. achievable compressed air class acc. to ISO 8573-1:2010 | 6 : 7 : -                         |
| Medium   | Compressed air<br>Neutral gases   |
| Weight   | 0.658 kg                          |

## Material

|                           |                                 |
|---------------------------|---------------------------------|
| Housing material          | Polyamide                       |
| Seal material             | Acrylonitrile butadiene rubber  |
| Material front plate      | Acrylonitrile butadiene styrene |
| Material threaded bushing | Die cast zinc                   |
| Material reservoir        | Polycarbonate                   |
| Material protective guard | Polyamide                       |
| Material filter insert    | Polyethylene                    |
| Part No.                  | R412007237                      |

## Technical information

The pressure dew point must be at least 15 °C less than ambient and medium temperature and may not exceed 3 °C.

Note: Polycarbonate reservoirs are susceptible to solvents, supplementary information can be found at "Customer information".

A change in the flow direction (from air supply on the left to air supply on the right) occurs by rotating installation by 180° about the vertical axis. Please see the operating instructions for further details.

Also suitable for separation of fluid oil or water due to the design.

Nominal flow Q<sub>n</sub> with secondary pressure p<sub>2</sub> = 6 bar at Δp = 1 bar

Pressure gauge enclosed separately

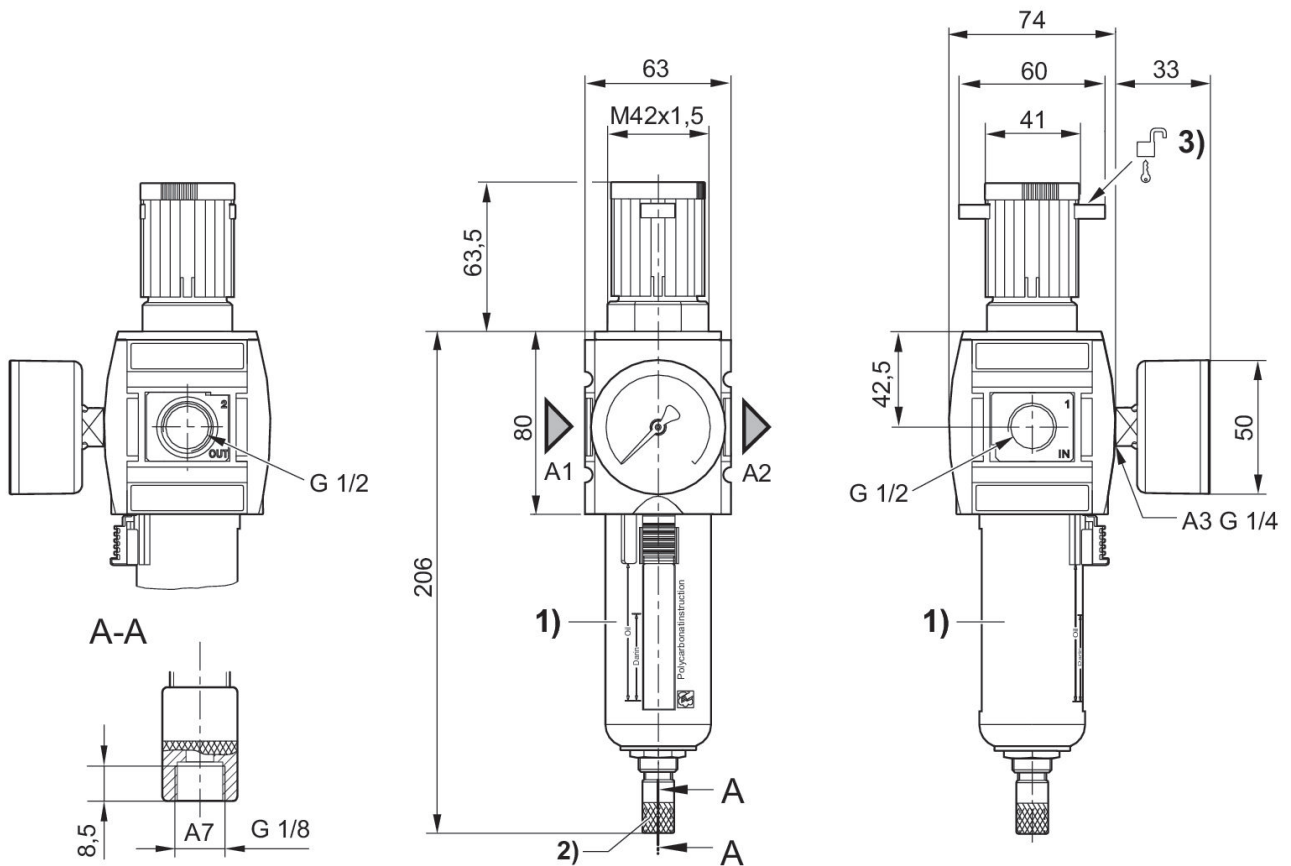
# Filter pressure regulator, Series AS3-FRE

Series AS3

R412007237

2024-05-15

## Dimensions in mm



A1 = input

A2 = output

A3 = pressure gauge connection

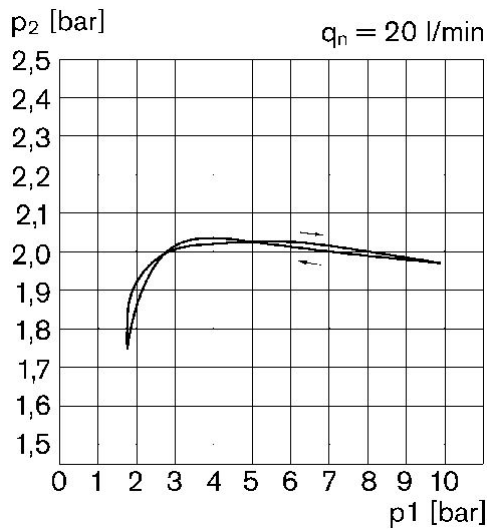
A7 = condensate drain

1) Plastic reservoir and protective guard with window

2) Fully automatic condensate drain

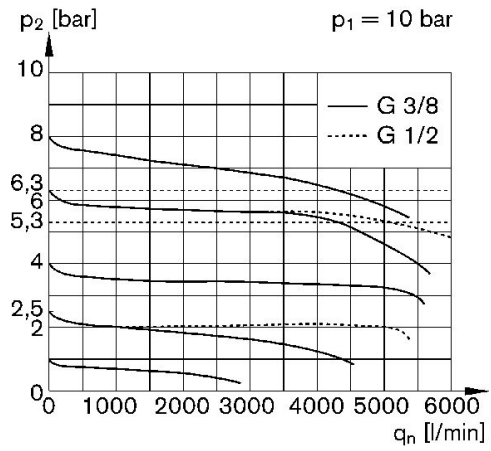
3) Mounting option for padlocks, max. shackle  $\varnothing$  8

## Pressure characteristics curve



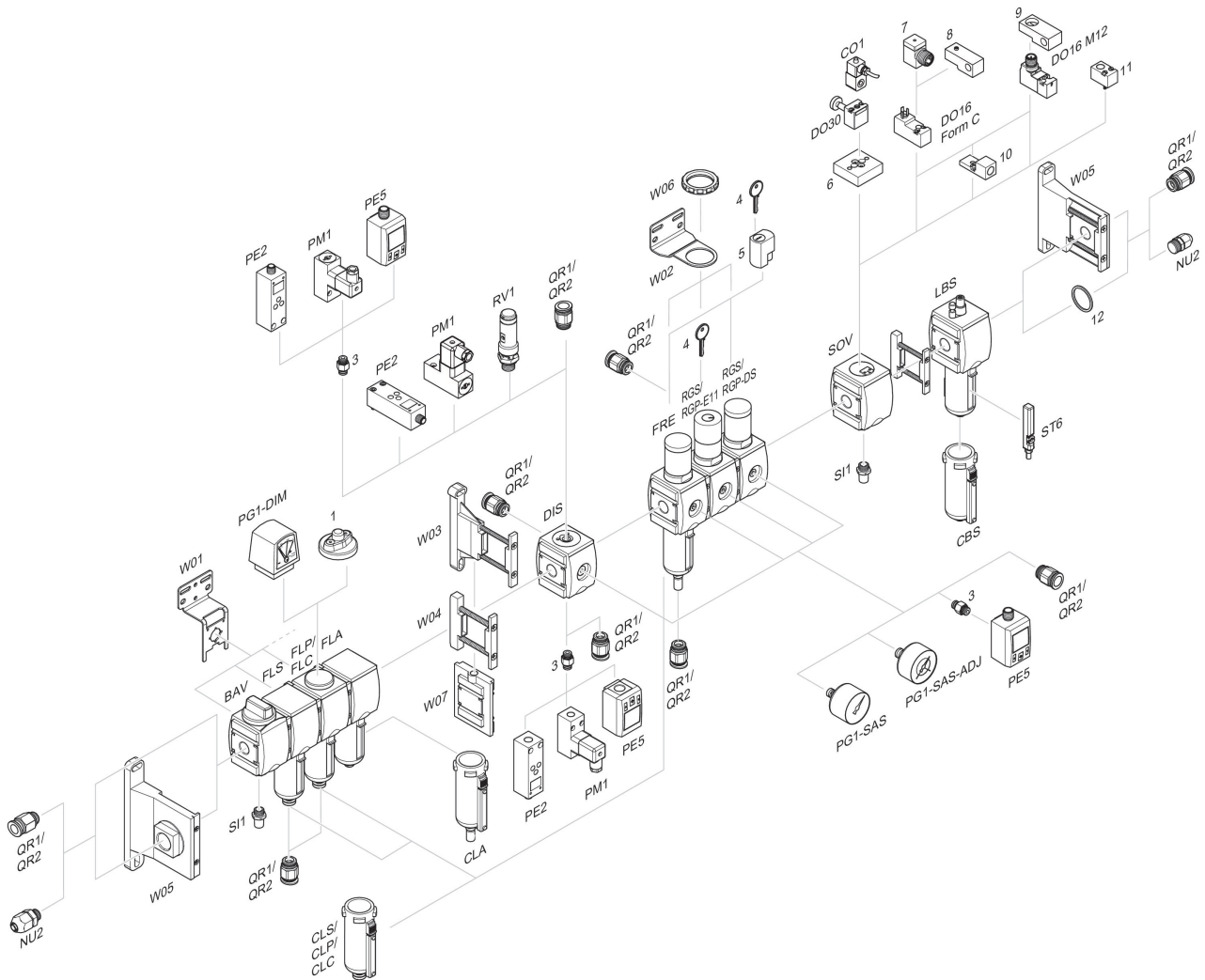
p1 = Working pressure  
 p2 = Secondary pressure  
 qn = Nominal flow

## Flow rate characteristic (p2: 0,5 - 8 bar)



p1 = Working pressure  
 p2 = Secondary pressure  
 qn = Nominal flow

## Accessories overview



1 = contamination display 3 = Double nipple 4 = Key for E11 locking 5 = mortise lock 6 = Transition plate DO30 7 = Adapter, Series CON-VP 8 = Mounting aid DO16, form C 9 = Mounting aid DO16, M12 10 = Adapter for external pilot air 11 = Adapter pneumatic operation 12 = Sealing ring