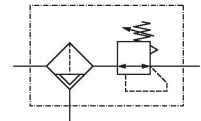


## AVENTICS Series AS3 Air Preparation Units

The AVENTICS Series AS3 is a modular, versatile maintenance unit for universal application. This Series offers compact dimensions, is highly efficient, lightweight and easy-to-use. The AVENTICS Series AS guarantees reliability, safety, and efficiency with a simplified assembly and maintenance efforts.



## Technical data

|                          |                                                    |
|--------------------------|----------------------------------------------------|
| Industry                 | Industrial                                         |
| Parts                    | Filter pressure regulator                          |
| Reservoir                | reservoir, polycarbonate, with PA protective guard |
| Port                     | G 3/8                                              |
| Nominal flow Qn          | 5100 l/min                                         |
| Filter porosity          | 5 µm                                               |
| Condensate drain         | semi-automatic, open without pressure              |
| Pressure gauge           | without pressure gauge                             |
| Min. working pressure    | 1.5 bar                                            |
| Max. working pressure    | 16 bar                                             |
| Min. ambient temperature | -10 °C                                             |
| Max. ambient temperature | 50 °C                                              |
| Min. regulation range    | 0.5 bar                                            |
| Max. regulation range    | 10 bar                                             |
| Lock type                | for padlocks                                       |
| Type                     | 1-part                                             |
| Type                     | Can be assembled into blocks                       |
| Pressure supply          | single                                             |
| Mounting orientation     | vertical                                           |

# Filter pressure regulator, Series AS3-FRE

Series AS3

R412007193

2024-05-14

---

|                                                              |                                   |
|--------------------------------------------------------------|-----------------------------------|
| Regulator type                                               | Diaphragm-type pressure regulator |
| Regulator function                                           | with relieving air exhaust        |
| Filter element                                               | exchangeable                      |
| Filter reservoir volume                                      | 49 cm <sup>3</sup>                |
| Max. achievable compressed air class acc. to ISO 8573-1:2010 | 6 : 7 : -                         |
| Medium                                                       | Compressed air<br>Neutral gases   |
| Weight                                                       | 0.818 kg                          |

## Material

|                           |                                 |
|---------------------------|---------------------------------|
| Housing material          | Polyamide                       |
| Seal material             | Acrylonitrile butadiene rubber  |
| Material front plate      | Acrylonitrile butadiene styrene |
| Material threaded bushing | Die cast zinc                   |
| Material reservoir        | Polycarbonate                   |
| Material protective guard | Polyamide                       |
| Material filter insert    | Polyethylene                    |
| Part No.                  | R412007193                      |

## Technical information

The pressure dew point must be at least 15 °C less than ambient and medium temperature and may not exceed 3 °C.

Note: Polycarbonate reservoirs are susceptible to solvents, supplementary information can be found at "Customer information".

A change in the flow direction (from air supply on the left to air supply on the right) occurs by rotating installation by 180° about the vertical axis. Please see the operating instructions for further details.

Also suitable for separation of fluid oil or water due to the design.

Nominal flow Q<sub>n</sub> with secondary pressure p<sub>2</sub> = 6 bar at Δp = 1 bar

Order pressure gauge separately

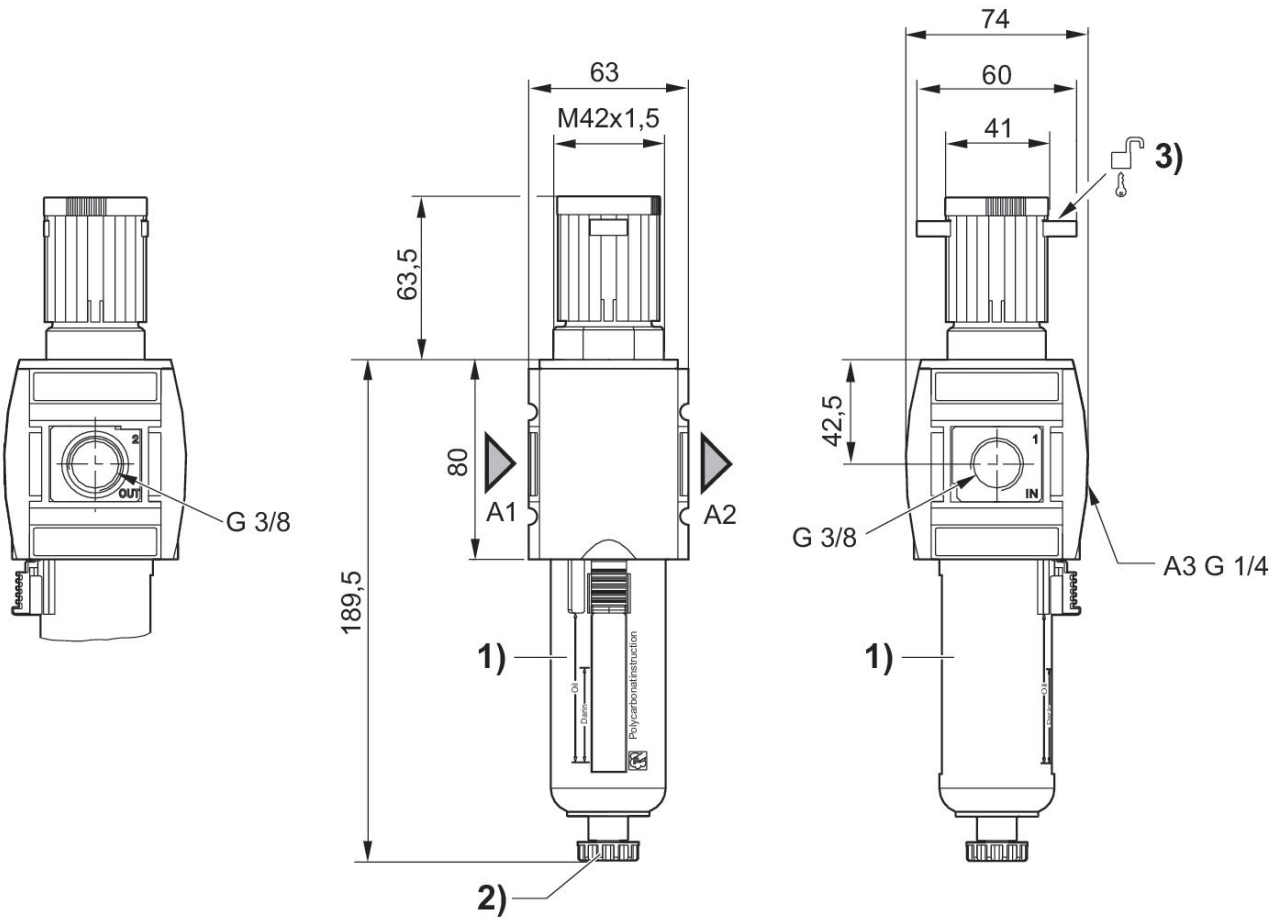
# Filter pressure regulator, Series AS3-FRE

Series AS3

R412007193

2024-05-14

## Dimensions in mm



A1 = input

A2 = output

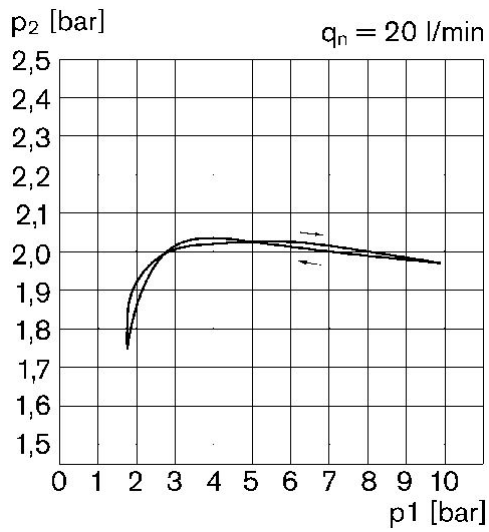
A3 = pressure gauge connection

1) Plastic reservoir and protective guard with window

2) Semi-automatic condensate drain

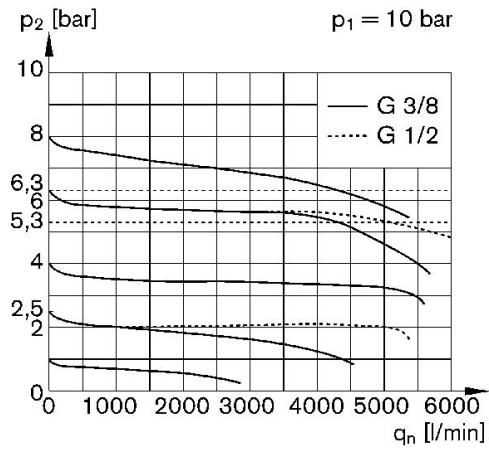
3) Mounting option for padlocks, max. shackle  $\varnothing$  8

## Pressure characteristics curve



$p_1$  = Working pressure  
 $p_2$  = Secondary pressure  
 $q_n$  = Nominal flow

## Flow rate characteristic ( $p_2$ : 0,5 - 8 bar)



$p_1$  = Working pressure  
 $p_2$  = Secondary pressure  
 $q_n$  = Nominal flow

## Accessories overview



1 = contamination display 3 = Double nipple 4 = Key for E11 locking 5 = mortise lock 6 = Transition plate DO30 7 = Adapter, Series CON-VP 8 = Mounting aid DO16, form C 9 = Mounting aid DO16, M12 10 = Adapter for external pilot air 11 = Adapter pneumatic operation 12 = Sealing ring