

Precision pressure regulator, Series AS3- RGP-...-DS

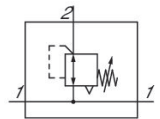
R412007166

Series AS3

2024-05-13

Series AS3

The AVENTICS Series AS3 is a modular, versatile maintenance unit for universal application. This Series offers compact dimensions, is highly efficient, lightweight and easy-to-use. The AVENTICS Series AS guarantees reliability, safety, and efficiency with a simplified assembly and maintenance efforts.



Technical data

Industry	Industrial
Function	Precision pressure regulator
Parts	Precision pressure regulator with continuous pressure supply without pressure gauge
Pressure gauge	Any
Mounting orientation	Diaphragm-type pressure regulator
Regulator type	G 1/2
Port	1600 l/min
Nominal flow Qn	0.1 bar
Min. regulation range	1 bar
Max. regulation range	0.1 bar
Min. working pressure	16 bar
Max. working pressure	-10 °C
Min. ambient temperature	50 °C
Max. ambient temperature	Mechanical
Activation	with relieving air exhaust
Regulator function	Can be assembled into blocks
Regulator type	double
Pressure supply	for padlocks
Lock type	

Precision pressure regulator, Series AS3- RGP-...-DS

Series AS3

2024-05-13

R412007166

~~with continuous pressure supply~~

~~with continuous pressure supply~~

Max. internal air consumption q_v

2.6 l/min

Max. pressure gauge \varnothing in blocked state

50 mm

Medium

Compressed air

Neutral gases

Min. medium temperature

-10 °C

Max. medium temperature

50 °C

Weight

0.528 kg

Material

Housing material

Polyamide

Material front plate

Acrylonitrile butadiene styrene

Seal material

Acrylonitrile butadiene rubber

Material threaded bushing

Die cast zinc

Part No.

R412007166

Technical information

The pressure dew point must be at least 15 °C less than ambient and medium temperature and may not exceed 3 °C.

Nominal flow Q_n with secondary pressure $p_2 = 6$ bar at $\Delta p = 1$ bar

The rear pressure gauge connection on the pressure regulator is closed with a blanking plug, the front connection is open. Depending on the customer application, a second blanking plug may be necessary. Please order separately (see accessories).

Recommended pre-filter: 5 μ m

Order pressure gauge separately

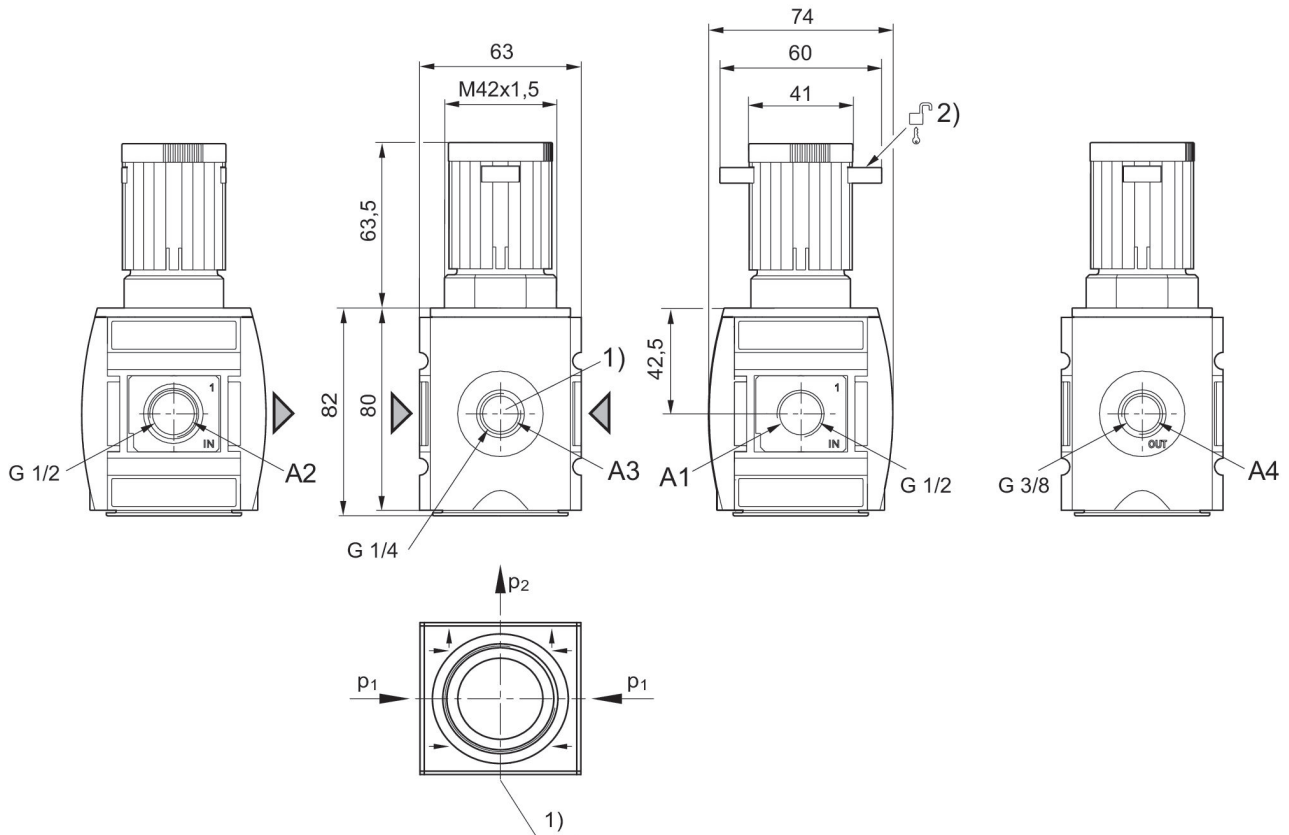
Precision pressure regulator, Series AS3- RGP-...-DS

Series AS3

2024-05-13

R412007166

Dimensions in mm



- A1 = input
- A2 = output
- A3 = pressure gauge connection
- A4 = output
- 1) Pressure gauge connection
- 2) Mounting option for padlocks, max. shackle \varnothing 8

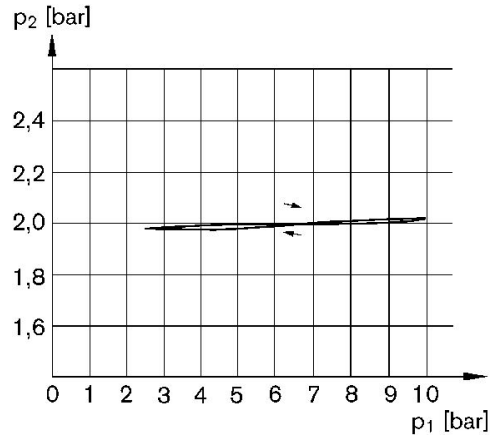
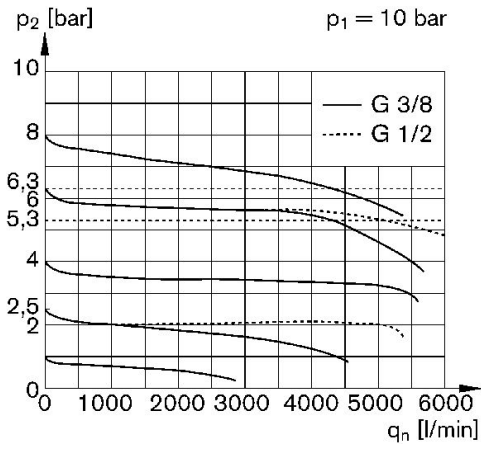
Precision pressure regulator, Series AS3- RGP-...-DS

Series AS3

2024-05-13

R412007166

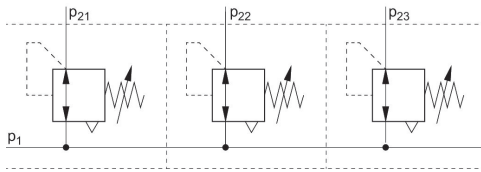
Flow rate characteristic (p2: 0,5 - 8 bar) Pressure characteristics curve



p_1 = Working pressure
 p_2 = Secondary pressure

p_1 = Working pressure
 p_2 = Secondary pressure
 q_n = Nominal flow

Application example



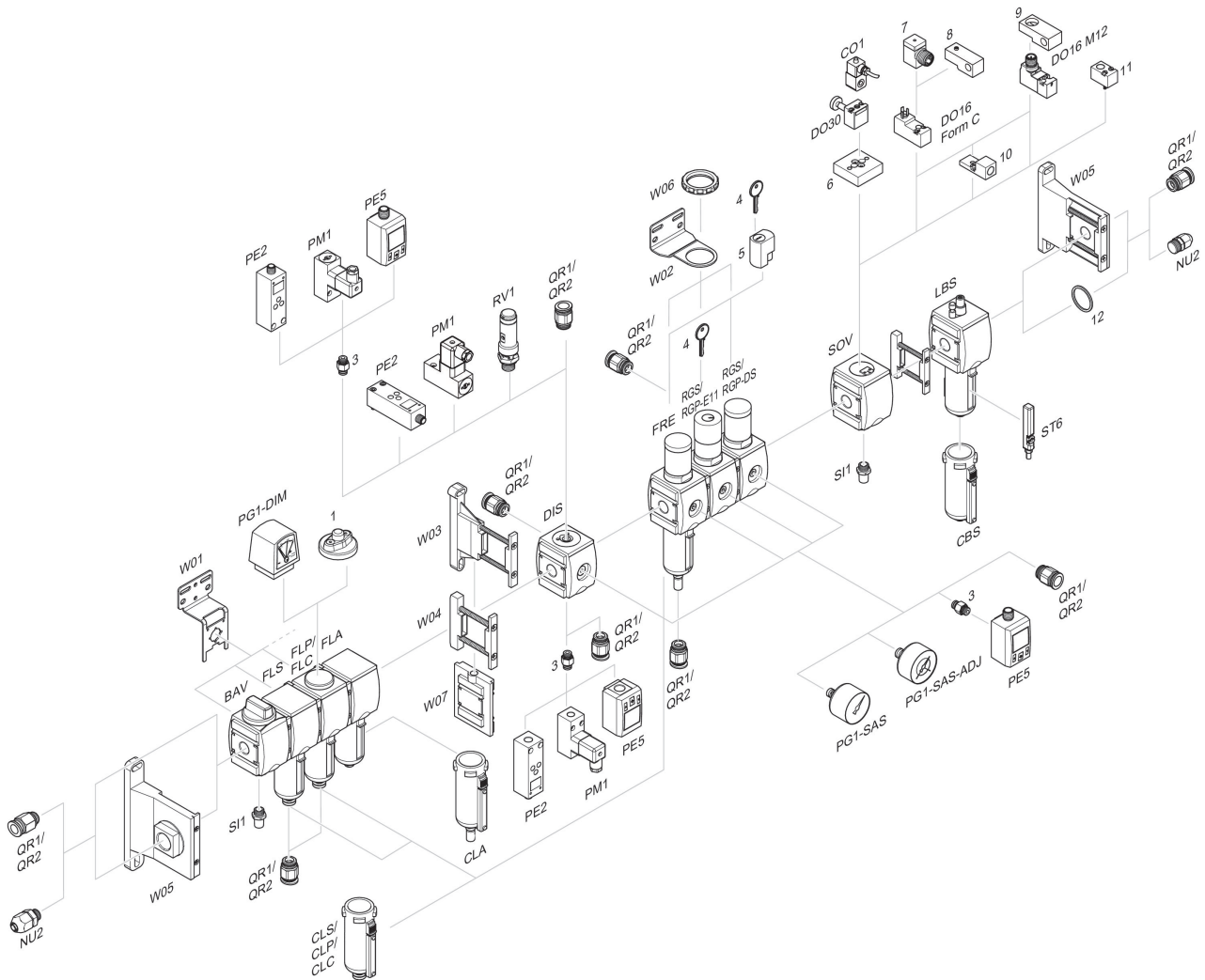
p_1 = Working pressure

Precision pressure regulator, Series AS3- RGP-...-DS

Series AS3

2024-05-13

R412007166
Accessories overview



1 = contamination display 3 = Double nipple 4 = Key for E11 locking 5 = mortise lock 6 = Transition plate DO30 7 = Adapter, Series CON-VP 8 = Mounting aid DO16, form C 9 = Mounting aid DO16, M12 10 = Adapter for external pilot air 11 = Adapter pneumatic operation 12 = Sealing ring