

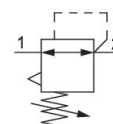
Precision pressure regulator, Series AS3- RGP-...-E11

2024-03-20

R412007158

Series AS3

The AVENTICS Series AS3 is a modular, versatile maintenance unit for universal application. This Series offers compact dimensions, is highly efficient, lightweight and easy-to-use. The AVENTICS Series AS guarantees reliability, safety, and efficiency with a simplified assembly and maintenance efforts.



Technical data

Industry	Industrial
Parts	Precision pressure regulator without pressure gauge
Pressure gauge	Any
Mounting orientation	Diaphragm-type pressure regulator
Regulator type	G 1/2
Port	5000 l/min
Nominal flow Q _n	0.2 bar
Min. regulation range	4 bar
Max. regulation range	0.2 bar
Min. working pressure	16 bar
Max. working pressure	-10 °C
Min. ambient temperature	50 °C
Max. ambient temperature	Mechanical
Activation	with relieving air exhaust
Regulator function	Can be assembled into blocks
Regulator type	single
Pressure supply	E11 locking, without key
Lock type	2.6 l/min
Max. internal air consumption q _v	

Precision pressure regulator, Series AS3- RGP-...-E11

2024-03-20

R412007158

Medium	Compressed air
	Neutral gases
Min. medium temperature	-10 °C
Max. medium temperature	50 °C
Weight	0.528 kg

Material

Housing material	Polyamide
Material front plate	Acrylonitrile butadiene styrene
Seal material	Acrylonitrile butadiene rubber
Material threaded bushing	Die cast zinc
Part No.	R412007158

Technical information

The pressure dew point must be at least 15 °C less than ambient and medium temperature and may not exceed 3 °C.

Nominal flow Q_n with secondary pressure $p_2 = 6$ bar at $\Delta p = 1$ bar

The rear pressure gauge connection on the pressure regulator is closed with a blanking plug, the front connection is open. Depending on the customer application, a second blanking plug may be necessary. Please order separately (see accessories).

A change in the flow direction (from air supply on the left to air supply on the right) occurs by rotating installation by 180° about the vertical axis. Please see the operating instructions for further details.

Recommended pre-filter: 5 µm

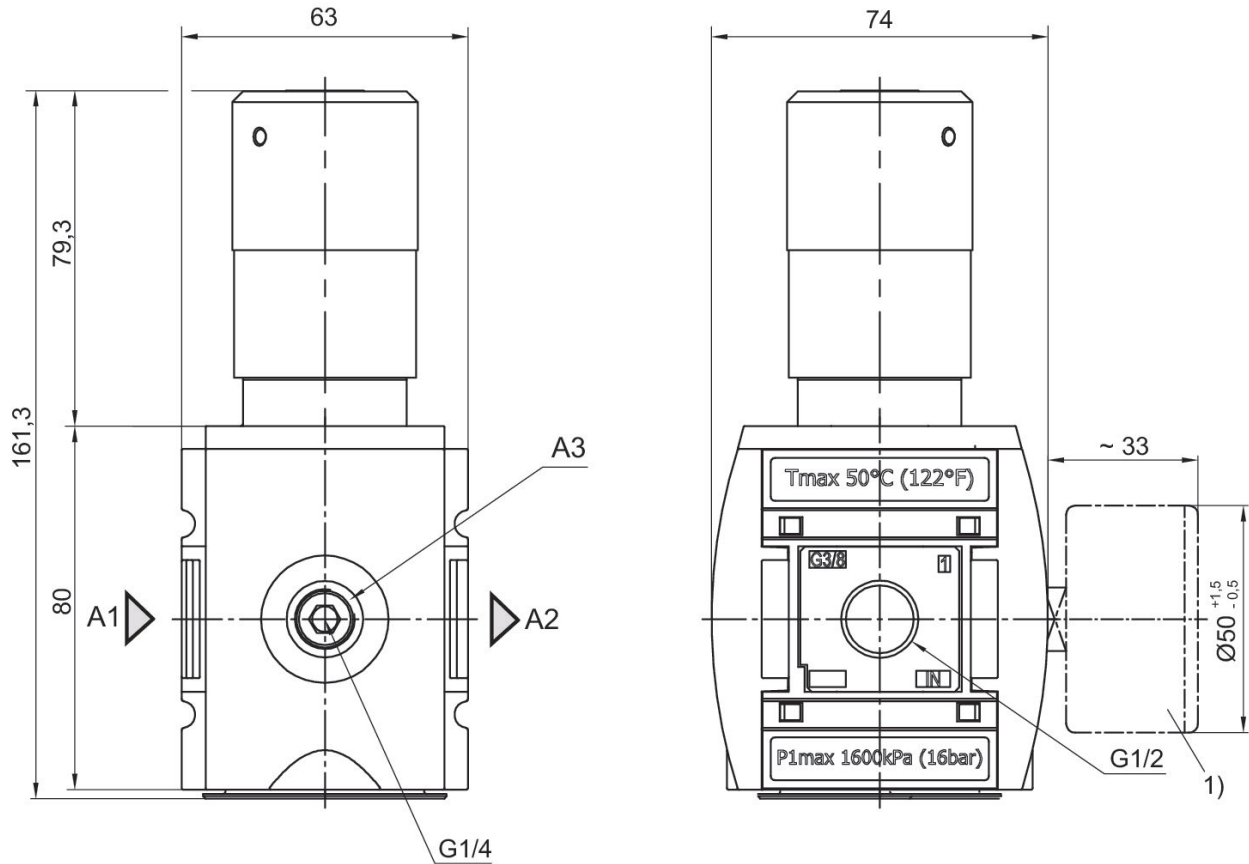
The E11 locking is delivered without a key (see accessories for keys R961403407).

Order pressure gauge separately

Precision pressure regulator, Series AS3-RGP-...-E11

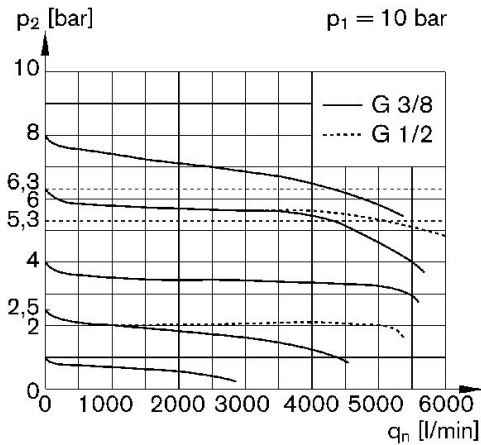
2024-03-20

R412007158
Dimensions in mm



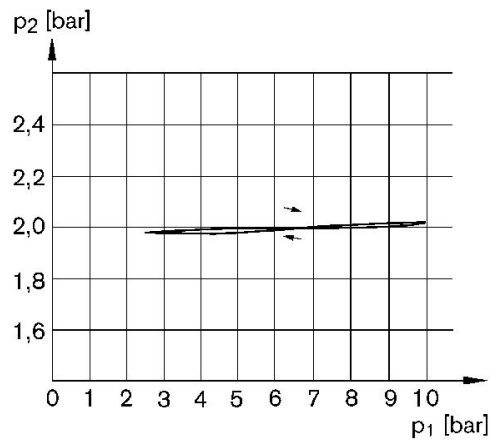
A1 = input
A2 = output
A3 = pressure gauge connection

Flow rate characteristic (p2: 0,5 - 8 bar)



p1 = Working pressure
p2 = Secondary pressure
qn = Nominal flow

Pressure characteristics curve

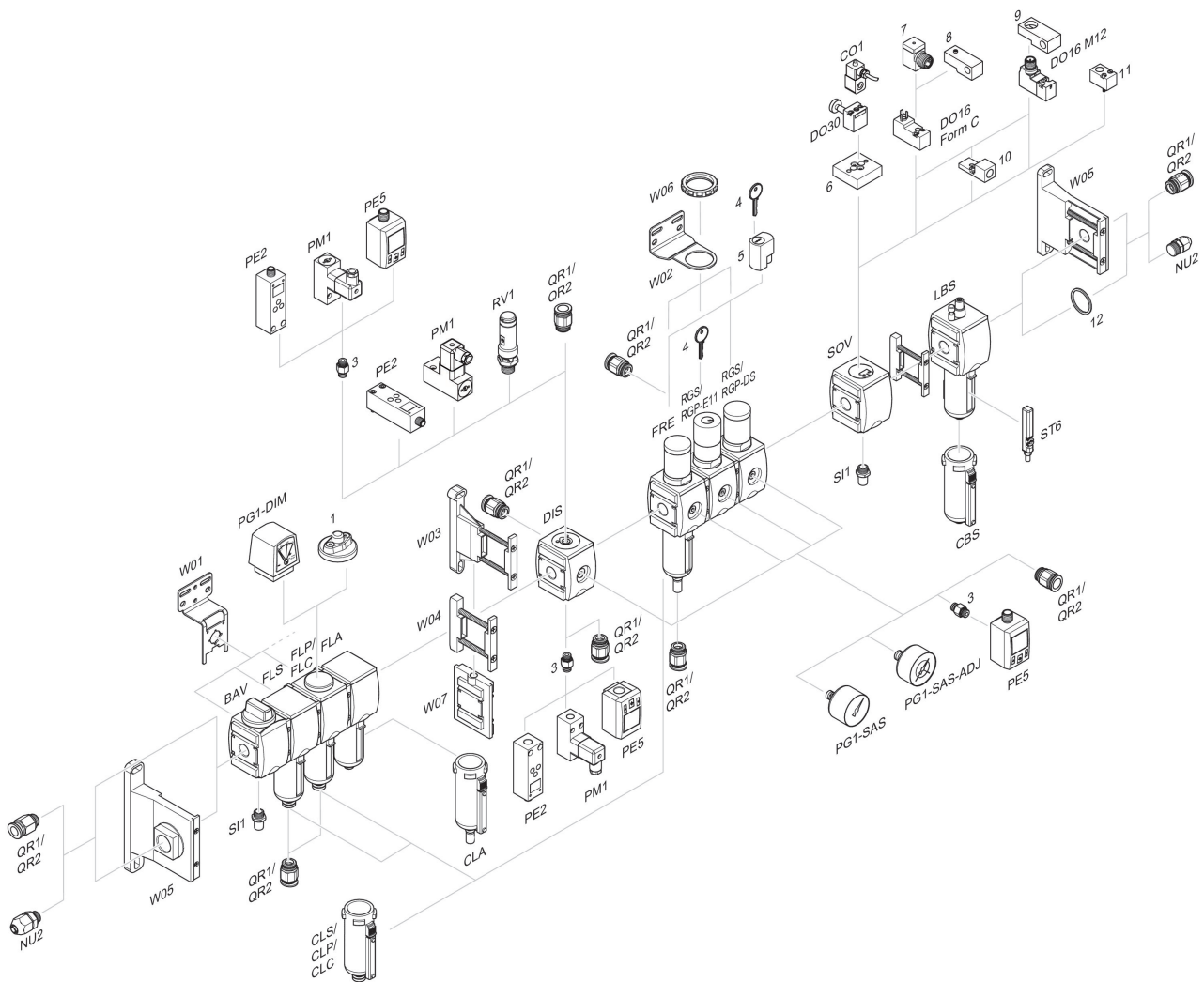


p1 = Working pressure
p2 = Secondary pressure

Precision pressure regulator, Series AS3- RGP-...-E11

2024-03-20

R412007158 Accessories overview



1 = contamination display 3 = Double nipple 4 = Key for E11 locking 5 = mortise lock 6 = Transition plate DO30 7 = Adapter, Series CON-VP 8 = Mounting aid DO16, form C 9 = Mounting aid DO16, M12 10 = Adapter for external pilot air 11 = Adapter pneumatic operation 12 = Sealing ring