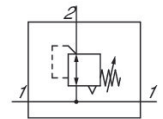


## Series AS3

The AVENTICS Series AS3 is a modular, versatile maintenance unit for universal application. This Series offers compact dimensions, is highly efficient, lightweight and easy-to-use. The AVENTICS Series AS guarantees reliability, safety, and efficiency with a simplified assembly and maintenance efforts.



## Technical data

|                          |  |
|--------------------------|--|
| Industry                 | Industrial   |
| Function                 | Standard pressure regulator                        |
| Parts                    | Pressure regulator with continuous pressure supply |
| Pressure gauge           | without pressure gauge                             |
| Mounting orientation     | Any  |
| Regulator type           | Diaphragm-type pressure regulator                  |
| Port                     | G 3/8  |
| Nominal flow Qn          | 4300 l/min   |
| Min. regulation range    | 0.5 bar  |
| Max. regulation range    | 10 bar   |
| Min. working pressure    | 0.5 bar  |
| Max. working pressure    | 16 bar   |
| Min. ambient temperature | -10 °C   |
| Max. ambient temperature | 50 °C  |
| Activation               | Mechanical   |
| Regulator function       | with relieving air exhaust                         |
| Regulator type           | Can be assembled into blocks                       |
| Pressure supply          | double   |
| Lock type                | for padlocks                                       |

# Pressure regulator, Series AS3-RGS-...-DS

Series AS3

R412007128

2024-04-19

---

|  |                                 |
|--|---------------------------------|
| with continuous pressure supply        | with continuous pressure supply |
| Max. pressure gauge Ø in blocked state | 50 mm                           |
| Medium                                 | Compressed air<br>Neutral gases |
| Min. medium temperature                | -10 °C                          |
| Max. medium temperature                | 50 °C                           |
| Weight                                 | 0.528 kg                        |

## Material

|                           |                                 |
|---------------------------|---------------------------------|
| Housing material          | Polyamide                       |
| Material front plate      | Acrylonitrile butadiene styrene |
| Seal material             | Acrylonitrile butadiene rubber  |
| Material threaded bushing | Die cast zinc                   |
| Part No.                  | R412007128                      |

## Technical information

The pressure dew point must be at least 15 °C less than ambient and medium temperature and may not exceed 3 °C.

Nominal flow  $Q_n$  with secondary pressure  $p_2 = 6$  bar at  $\Delta p = 1$  bar

The rear pressure gauge connection on the pressure regulator is closed with a blanking plug, the front connection is open. Depending on the customer application, a second blanking plug may be necessary. Please order separately (see accessories).

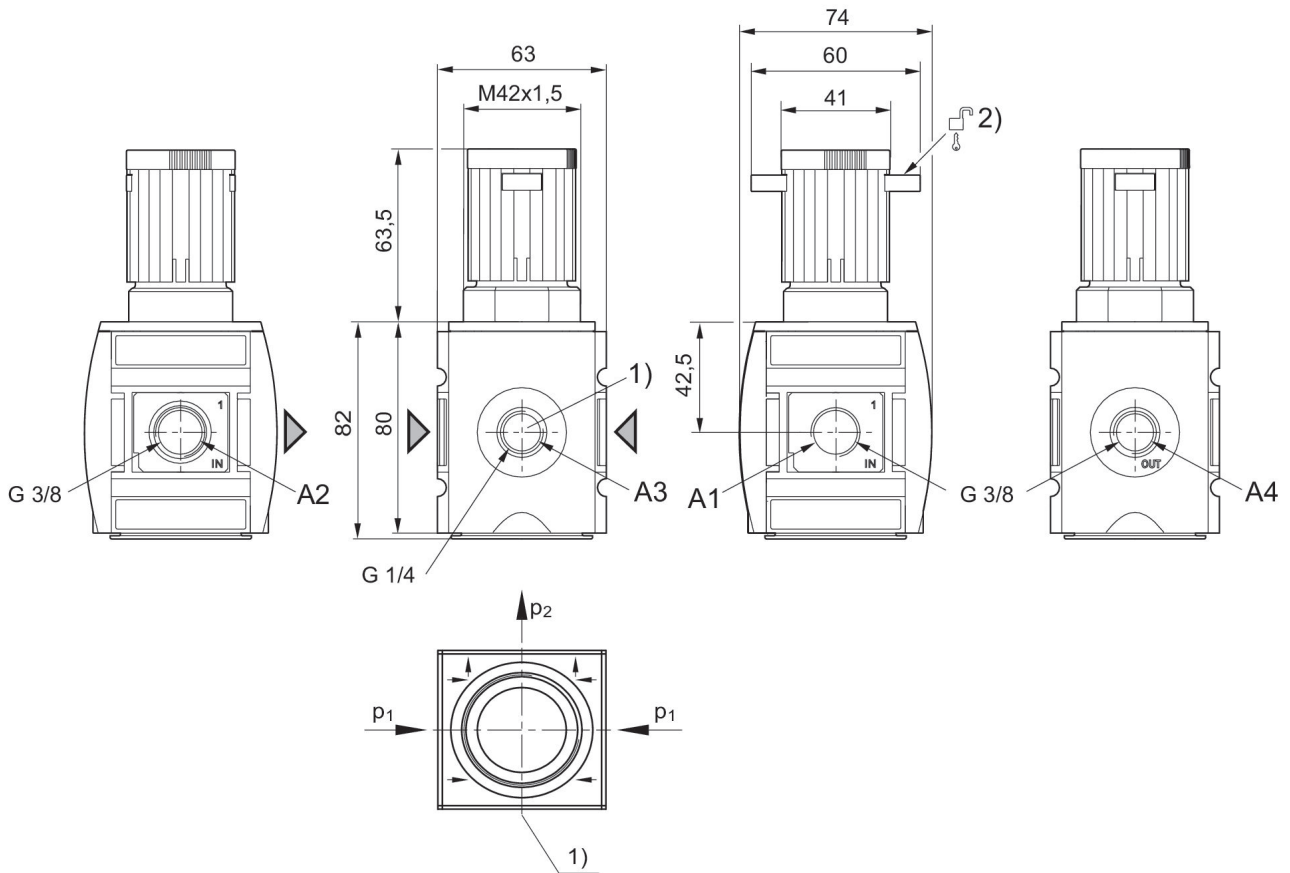
Relieving exhaust ( $\leq 0.3$  bar over set pressure)

With rear exhaust ( $>3$  bar)

Order pressure gauge separately

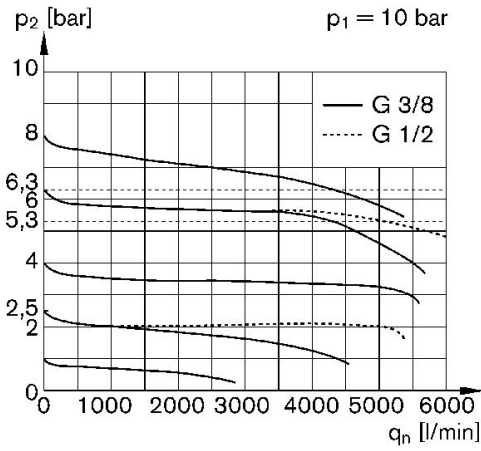
The delivered product may vary from that in the illustration.

## Dimensions in mm



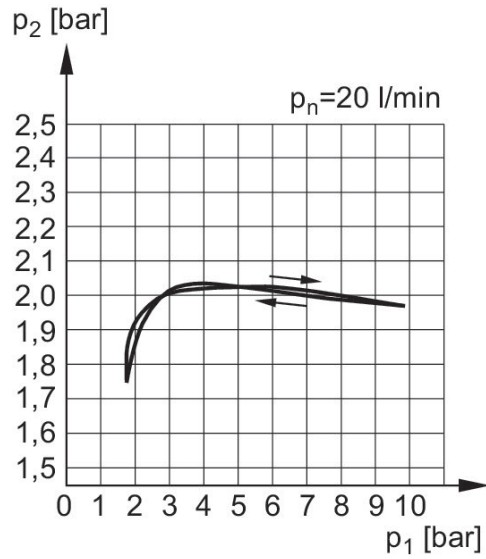
- A1 = input
- A2 = output
- A3 = pressure gauge connection
- A4 = output
- 1) Pressure gauge connection
- 2) Mounting option for padlocks, max. shackle  $\varnothing$  8

## Flow rate characteristic (p2: 0,5 - 8 bar)



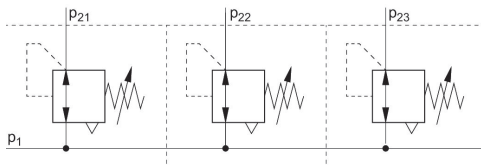
p1 = Working pressure  
 p2 = Secondary pressure  
 qn = Nominal flow

## Pressure characteristics curve



p1 = Working pressure  
 p2 = Secondary pressure  
 qn = Nominal flow

## Application example



p1 = Working pressure

## Accessories overview



1 = contamination display 3 = Double nipple 4 = Key for E11 locking 5 = mortise lock 6 = Transition plate DO30 7 = Adapter, Series CON-VP 8 = Mounting aid DO16, form C 9 = Mounting aid DO16, M12 10 = Adapter for external pilot air 11 = Adapter pneumatic operation 12 = Sealing ring