

3/2-directional valve, electrically operated, Series AS3-SOV

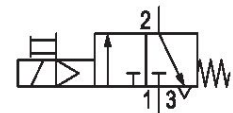
R412007391

Series AS3

2024-08-22

Series AS3

The AVENTICS Series AS3 is a modular, versatile maintenance unit for universal application. This Series offers compact dimensions, is highly efficient, lightweight and easy-to-use. The AVENTICS Series AS guarantees reliability, safety, and efficiency with a simplified assembly and maintenance efforts.



Technical data

Industry	Industrial
Activation	Electrically
Nominal flow Q_n	4500 l/min
Compressed air connection	G 1/2
Min. working pressure	2.5 bar
Max. working pressure	10 bar
Operational voltage DC	24 V
Sealing principle	Soft seal
Connection type	Pipe connection
Parts	3/2-directional valve
Can be assembled into blocks	Can be assembled into blocks
Basic valve equipment	Basic valve with pilot valve
Type	Poppet valve
Min. ambient temperature	-10 °C
Max. ambient temperature	50 °C
Medium	Compressed air Neutral gases
Max. particle size	25 μ m
Compressed air connection, exhaust	G 1/2
Nominal flow Q_n 1 to 2	4500 l/min

3/2-directional valve, electrically operated, Series AS3-SOV

Series AS3

2024-08-22

R412007391

Nominal flow Q_n 2 to 3 3200 l/min

Operating voltage 24 V DC

Power consumption DC 2 W

Protection class with connection IP65

Electrical connection 1, type Plug

Electrical connection 1, thread size M12x1

Weight 0.459 kg

Material

Housing material Polyamide

Seal material Acrylonitrile butadiene rubber

Material threaded bushing Die cast zinc

Material front plate Acrylonitrile butadiene styrene

Part No. R412007391

Technical information

The pressure dew point must be at least 15 °C less than ambient and medium temperature and may not exceed 3 °C.

Nominal flow Q_n with secondary pressure $p_2 = 6$ bar at $\Delta p = 1$ bar

A change in the flow direction (from air supply on the left to air supply on the right) occurs by rotating installation by 180° about the vertical axis. Please see the operating instructions for further details.

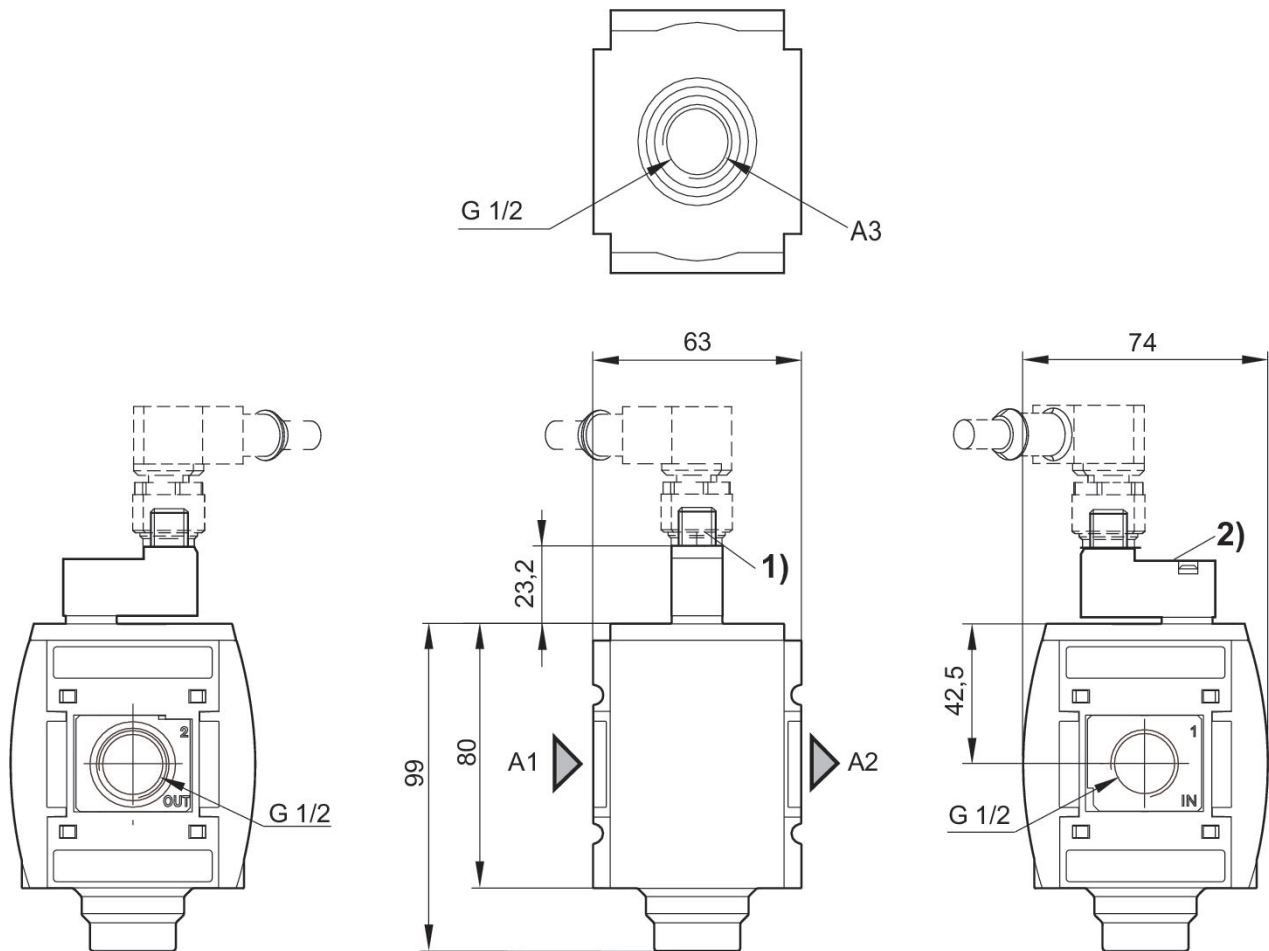
3/2-directional valve, electrically operated, Series AS3-SOV

Series AS3

2024-08-22

R412007391

Dimensions in mm



- A1 = input
- A2 = output
- A3 = ventilation port
- 1) plug M12
- 2) Manual override

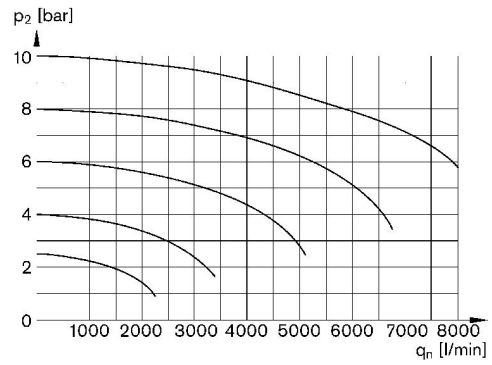
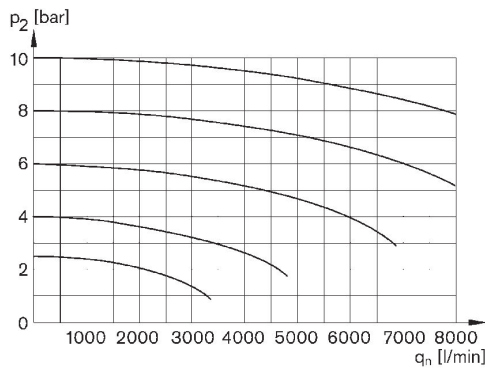
3/2-directional valve, electrically operated, Series AS3-SOV

Series AS3

2024-08-22

R412007391

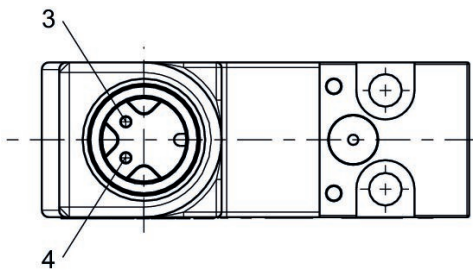
Flow rate characteristic, $p_2 = 0,05 - 7$ bar
Rear exhaust



p_2 = Secondary pressure
 q_n = Nominal flow

p_2 = Secondary pressure
 q_n = Nominal flow

Pin assignment M12x1



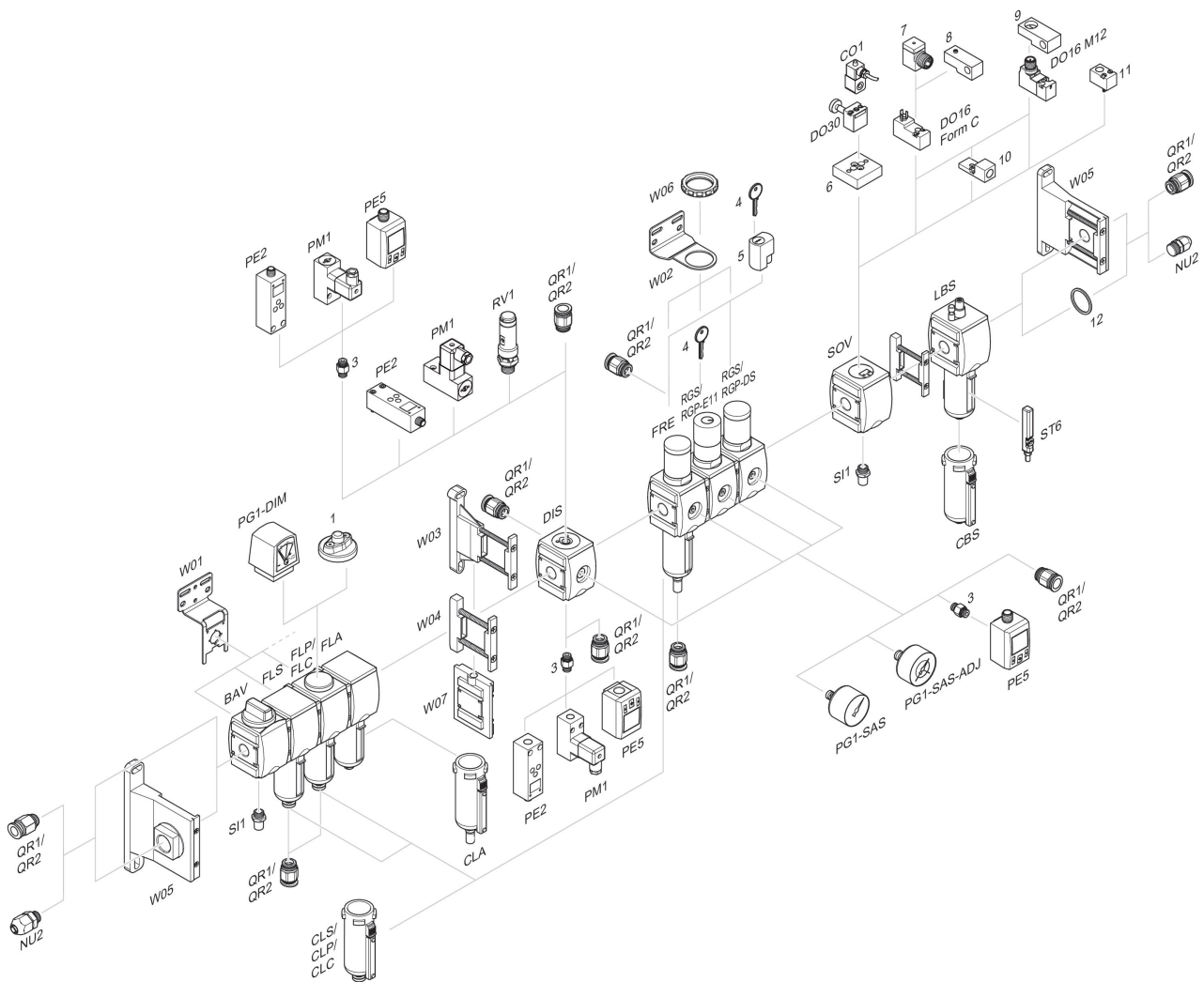
3: +/-
4: +/-

3/2-directional valve, electrically operated, Series AS3-SOV

Series AS3

2024-08-22

R412007391
Accessories overview



1 = contamination display 3 = Double nipple 4 = Key for E11 locking 5 = mortise lock 6 = Transition plate DO30 7 = Adapter, Series CON-VP 8 = Mounting aid DO16, form C 9 = Mounting aid DO16, M12 10 = Adapter for external pilot air 11 = Adapter pneumatic operation 12 = Sealing ring