

3/2-directional valve, electrically operated, Series AS3-SOV-...-POS

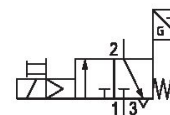
R412007354

Series AS3

2024-04-10

Series AS3

The AVENTICS Series AS3 is a modular, versatile maintenance unit for universal application. This Series offers compact dimensions, is highly efficient, lightweight and easy-to-use. The AVENTICS Series AS guarantees reliability, safety, and efficiency with a simplified assembly and maintenance efforts.



Technical data

| | |
|------------------------------------|---|
| Industry | Industrial |
| Type | With position inquiry, with integrated sensor |
| Activation | Electrically |
| Nominal flow Qn | 4500 l/min |
| Compressed air connection | G 1/2 |
| Min. working pressure | 2.5 bar |
| Max. working pressure | 10 bar |
| Operational voltage DC | 24 V |
| Sealing principle | Soft seal |
| Connection type | Pipe connection |
| Parts | 3/2-directional valve |
| Can be assembled into blocks | Can be assembled into blocks |
| Basic valve equipment | Basic valve with pilot valve |
| Type | Poppet valve |
| Min. ambient temperature | -10 °C |
| Max. ambient temperature | 50 °C |
| Medium | Compressed air Neutral gases |
| Max. particle size | 25 µm |
| Compressed air connection, exhaust | G 1/2 |

3/2-directional valve, electrically operated, Series AS3-SOV-...-POS

Series AS3

2024-04-10

R412007354

| | |
|--------------------------------------|--------------------|
| Nominal flow Qn 1 to 2 | 4500 l/min |
| Nominal flow Qn 2 to 3 | 3200 l/min |
| Operating voltage | 24 V DC |
| Power consumption DC | 2 W |
| Protection class with connection | IP65 |
| Electrical connection 1, type | Plug |
| Electrical connection 1, thread size | M12x1 |
| Electrical connection for sensor | Plug |
| Electrical connection for sensor | M8 |
| Electrical connection for sensor | 3-pin |
| Cable length sensor | 0.3 m |
| Electrical connection for sensor | with knurled screw |
| Weight | 0.459 kg |

Material

| | |
|---------------------------|---------------------------------|
| Housing material | Polyamide |
| Seal material | Acrylonitrile butadiene rubber |
| Material threaded bushing | Die cast zinc |
| Material front plate | Acrylonitrile butadiene styrene |
| Part No. | R412007354 |

Technical information

The pressure dew point must be at least 15 °C less than ambient and medium temperature and may not exceed 3 °C.

Nominal flow Qn with secondary pressure p2 = 6 bar at $\Delta p = 1$ bar

A change in the flow direction (from air supply on the left to air supply on the right) occurs by rotating installation by 180° about the vertical axis. Please see the operating instructions for further details.

Can be used in circuits with increased efficiency.

The sensor signal is visible on the front of the cover.

Electronic sensor included in scope of delivery (assembled).

An ST6 sensor (contactless) is used to detect the switching position in the non-actuated state (position: exhaust).

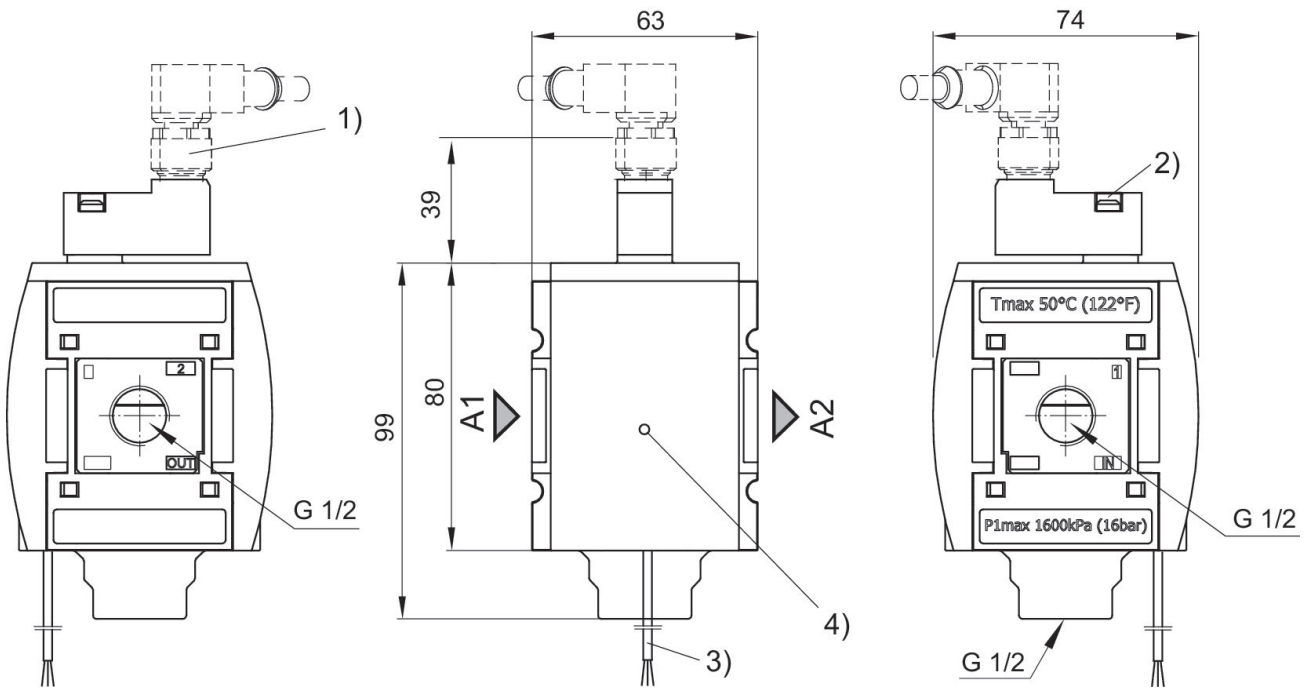
The delivered product may vary from that in the illustration.

3/2-directional valve, electrically operated, Series AS3-SOV-...-POS

Series AS3

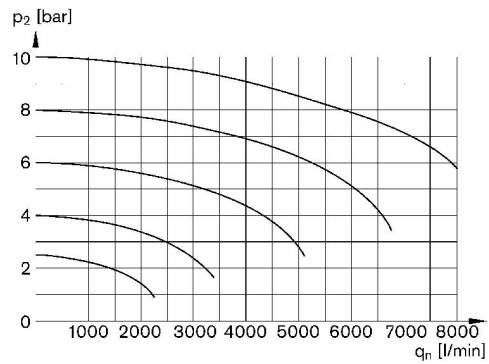
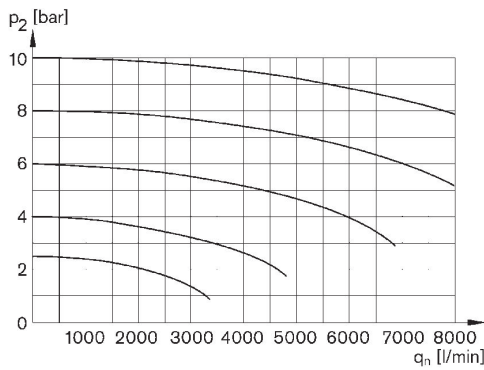
2024-04-10

R412007354
Dimensions in mm



- A1 = input
- A2 = output
- 1) plug M12
- 2) Manual override
- 3) Connection cable
- 4) Optical switch status indicator

Flow rate characteristic, $p_2 = 0,05 - 7$ bar Rear exhaust



p_2 = Secondary pressure
 q_n = Nominal flow

p_2 = Secondary pressure
 q_n = Nominal flow

