

Filling unit, electrically operated, Series AS3-SSU

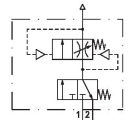
R412007282

Series AS3

2024-03-27

Series AS3

The AVENTICS Series AS3 is a modular, versatile maintenance unit for universal application. This Series offers compact dimensions, is highly efficient, lightweight and easy-to-use. The AVENTICS Series AS guarantees reliability, safety, and efficiency with a simplified assembly and maintenance efforts.



Technical data

Industry	Industrial
Type	adjustable filling time
Activation	Electrically
Nominal flow Qn	3500 l/min
Compressed air connection	G 1/2
Min. working pressure	2.5 bar
Max. working pressure	10 bar
Sealing principle	Soft seal
Pilot	Internal
Connection type	Pipe connection
Parts	3/2-directional valve Filling valve
Can be assembled into blocks	Can be assembled into blocks
Basic valve equipment	Basic valve without pilot valve
Type	Poppet valve
Min. ambient temperature	-10 °C
Max. ambient temperature	50 °C
Medium	Compressed air Neutral gases
Max. particle size	25 µm

Filling unit, electrically operated, Series AS3-SSU

Series AS3

2024-03-27

R412007282

Compressed air connection, exhaust G 1/2

Nominal flow Qn 1 to 2 3500 l/min

Nominal flow Qn 2 to 3 3200 l/min

Duty cycle 100 %

Protection class with connection IP65

Weight 0.889 kg

Material

Housing material Polyamide

Seal material Acrylonitrile butadiene rubber

Material threaded bushing Die cast zinc

Material front plate Acrylonitrile butadiene styrene

Part No. R412007282

Technical information

The pressure dew point must be at least 15 °C less than ambient and medium temperature and may not exceed 3 °C.

Nominal flow Qn with secondary pressure $p_2 = 6$ bar at $\Delta p = 0,1$ bar

A change in the flow direction (from air supply on the left to air supply on the right) occurs by rotating installation by 180° about the vertical axis. Please see the operating instructions for further details.

Do not position filling valves or filling units upstream of open consumers, such as nozzles, air barriers, air curtains, since these may prevent through connection of components.

The filling valve builds up pressure slowly in the pneumatic systems, i.e. prevents a sudden pressure build-up during a recommissioning after a mains pressure failure or avoids emergency OFF switching. This allows dangerous abrupt cylinder motions to be avoided.

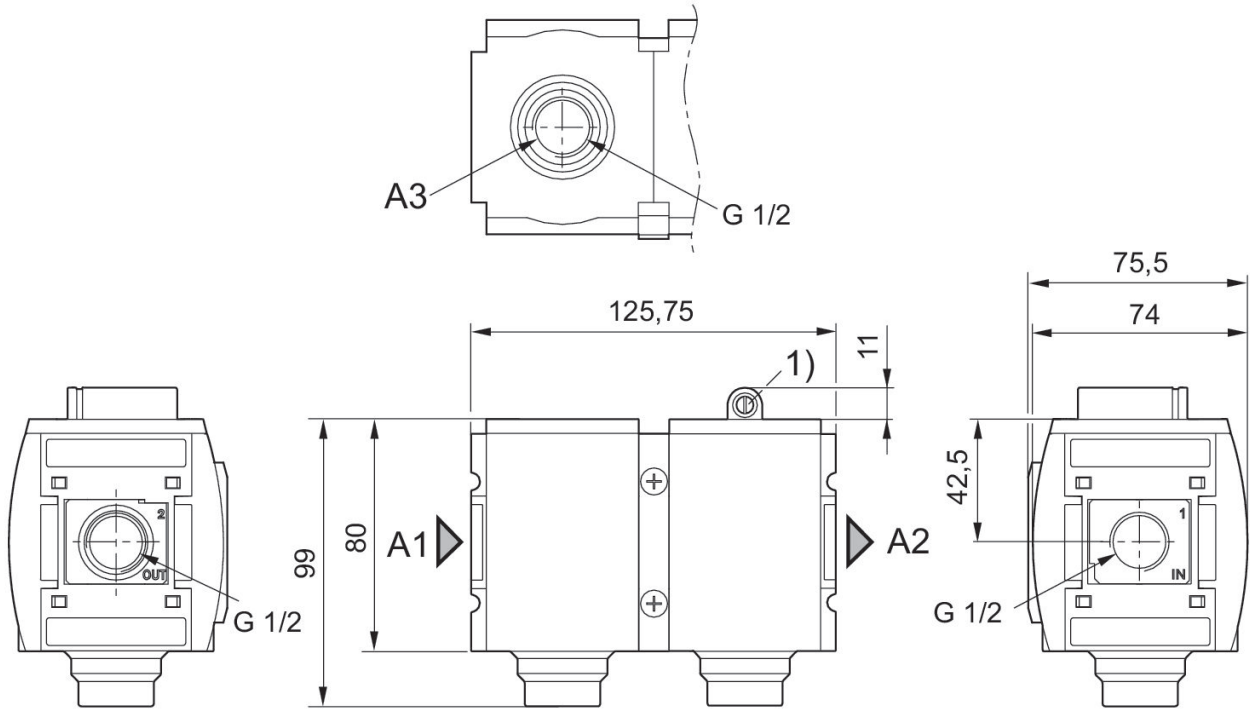
The delivered product may vary from that in the illustration.

Filling unit, electrically operated, Series AS3-SSU

Series AS3

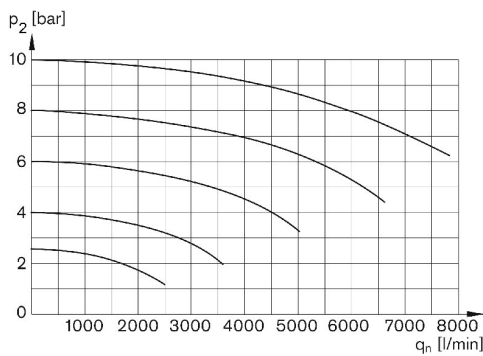
2024-03-27

R412007282
Dimensions in mm



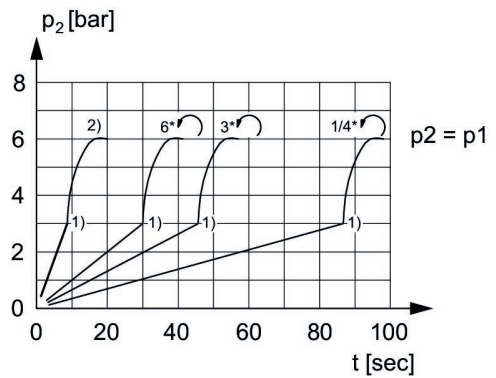
- A1 = input
- A2 = output
- A3 = output
- 1) Adjustment screw for filling time

Flow rate characteristic, $p_2 = 0,05 - 7$ bar



p_2 = Secondary pressure
 q_n = Nominal flow

Secondary pressure while filling



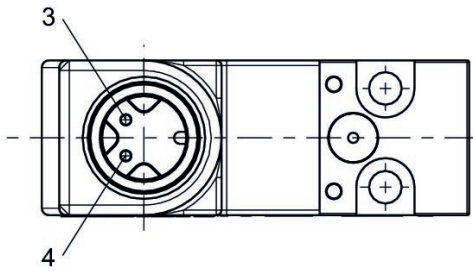
p_1 = Working pressure
 p_2 = Secondary pressure
 t = filling time, adjustable via adjustment screw (throttle)
1) Switching point: adjustable filling time, fixed change-over pressure $\approx 0.5 \times p_1$ (50%)
2) Throttle fully opened
* Adjustment screw rotations

Filling unit, electrically operated, Series AS3-SSU

Series AS3

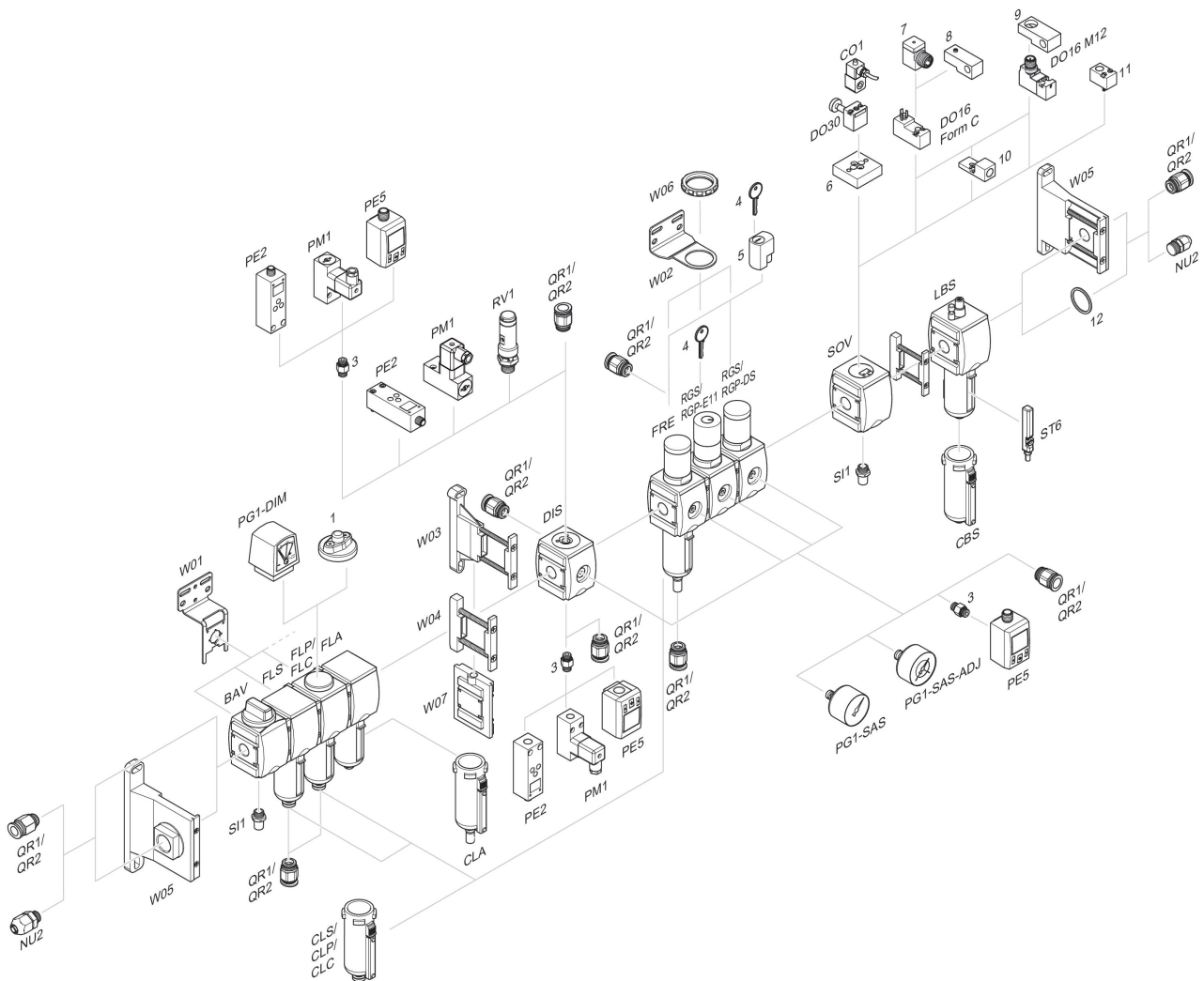
2024-03-27

R412007282
Pin assignment M12x1



3: +/-
4: +/-

Accessories overview



1 = contamination display 3 = Double nipple 4 = Key for E11 locking 5 = mortise lock 6 = Transition plate DO30 7 = Adapter, Series CON-VP 8 = Mounting aid DO16, form C 9 = Mounting aid DO16, M12 10 = Adapter for external pilot air 11 = Adapter pneumatic operation 12 = Sealing ring