

Filling valve, electrically operated, series AS3-SSV

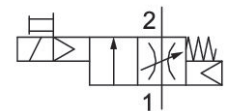
R412007389

Series AS3

2024-04-03

Series AS3

The AVENTICS Series AS3 is a modular, versatile maintenance unit for universal application. This Series offers compact dimensions, is highly efficient, lightweight and easy-to-use. The AVENTICS Series AS guarantees reliability, safety, and efficiency with a simplified assembly and maintenance efforts.



Technical data

Industry

Industrial

Type

With electrical priority circuit, adjustable filling time.

Activation

Electrically

Nominal flow Q_n

4500 l/min

Compressed air connection

G 1/2

Min. working pressure

2.5 bar

Max. working pressure

10 bar

Operational voltage DC

24 V

Sealing principle

Soft seal

Connection type

Pipe connection

Parts

Filling valve

Can be assembled into blocks

Can be assembled into blocks

Basic valve equipment

Basic valve with pilot valve

Type

Poppet valve with elect. priority circuit

Min. ambient temperature

-10 °C

Max. ambient temperature

50 °C

Medium

Compressed air

Neutral gases

Max. particle size

25 µm

Filling valve, electrically operated, series AS3-SSV

Series AS3

2024-04-03

R412007389

Operating voltage 24 V DC

Duty cycle 100 %

Protection class with connection IP65

Electrical connection 1, type Plug

Electrical connection 1, thread size M12x1

Weight 0.43 kg

Material

Housing material Polyamide

Seal material Acrylonitrile butadiene rubber

Material threaded bushing Die cast zinc

Material front plate Acrylonitrile butadiene styrene

Part No. R412007389

Technical information

The pressure dew point must be at least 15 °C less than ambient and medium temperature and may not exceed 3 °C.

Nominal flow Q_n with secondary pressure $p_2 = 6$ bar at $\Delta p = 1$ bar

A change in the flow direction (from air supply on the left to air supply on the right) occurs by rotating installation by 180° about the vertical axis. Please see the operating instructions for further details.

Actuating the electric priority circuit disrupts the slow pressure build-up and pressure p_1 is immediately applied.

For unthrottled operation, the filling valve must be permanently electrically actuated.

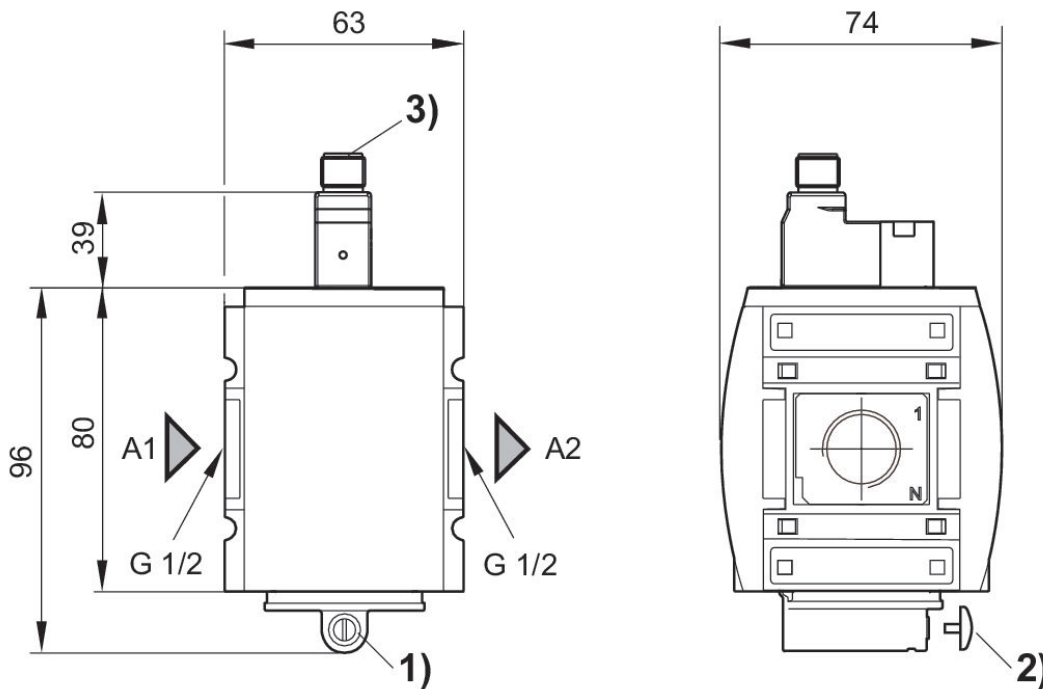
Filling valve, electrically operated, series AS3-SSV

Series AS3

2024-04-03

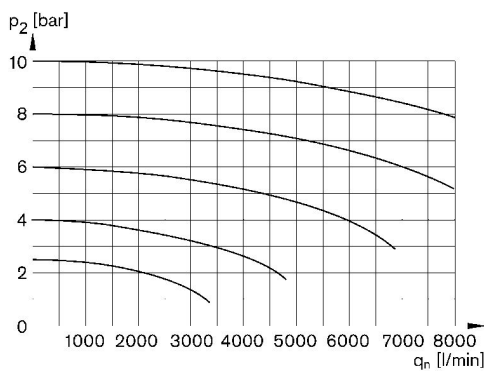
R412007389

Dimensions in mm



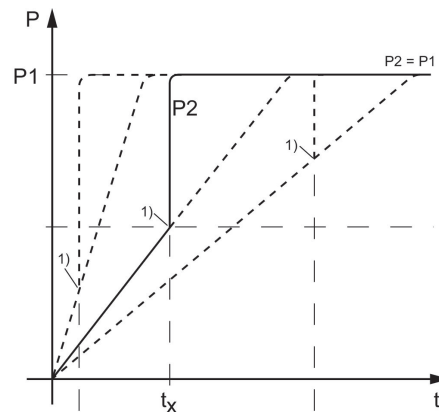
- A1 = input
- A2 = output
- 1) Adjustment screw for filling time
- 2) Adjustment screw lock
- 3) For valve plug connectors M12x1

Flow rate characteristic, $p_2 = 0,05 - 7$ bar



p_2 = Secondary pressure
 q_n = Nominal flow

Secondary pressure while filling



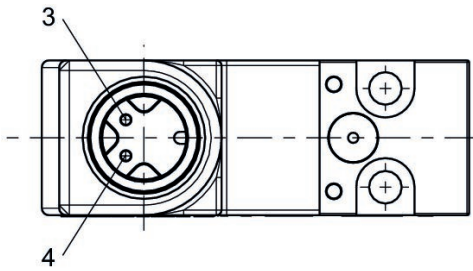
p_1 = Working pressure
 p_2 = Secondary pressure
 t = filling time
 t_x = switchover time
 1) Electrically triggered switching point
 Filling time adjustable via adjustment screw (throttle)

Filling valve, electrically operated, series AS3-SSV

Series AS3

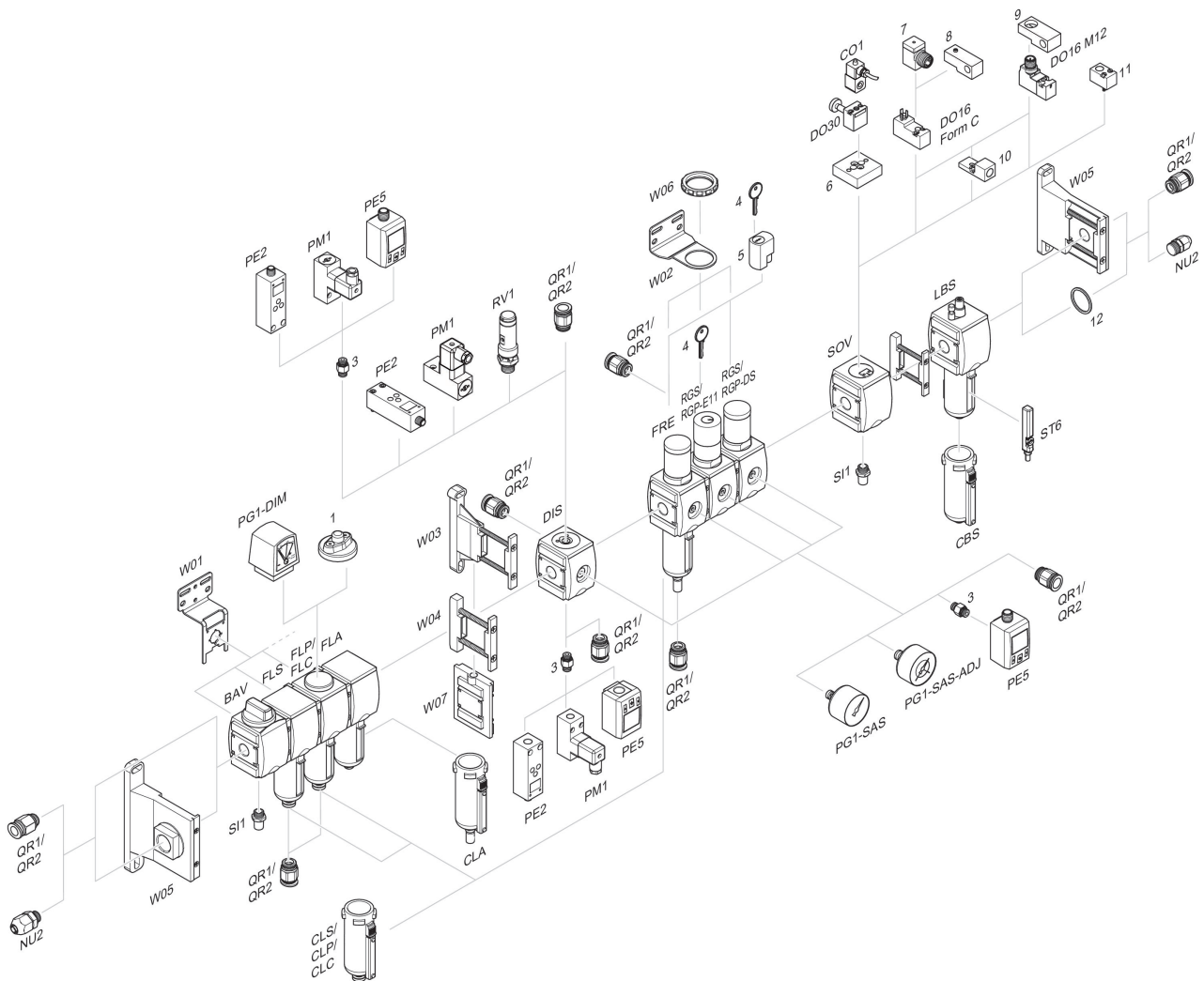
2024-04-03

R412007389
Pin assignment M12x1



3: +/-
4: +/-

Accessories overview



1 = contamination display 3 = Double nipple 4 = Key for E11 locking 5 = mortise lock 6 = Transition plate DO30 7 = Adapter, Series CON-VP 8 = Mounting aid DO16, form C 9 = Mounting aid DO16, M12 10 = Adapter for external pilot air 11 = Adapter pneumatic operation 12 = Sealing ring