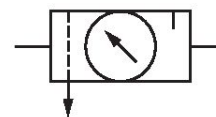


## AVENTICS Series AS5 Air Preparation Units

The AVENTICS Series AS5 is a modular, versatile maintenance unit for universal application. This Series offers compact dimensions, is highly efficient, lightweight and easy-to-use. The AVENTICS Series AS guarantees reliability, safety, and efficiency with a simplified assembly and maintenance efforts.



### Technical data

Industry

Industrial

Parts

Air preparation units

Components

Filter pressure regulator

Lubricator

Reservoir

reservoir, polycarbonate, with PA protective guard

Port

G 3/4

Nominal flow Qn

12300 l/min

Filter porosity

5 µm

Condensate drain

fully automatic, open without pressure

Pressure gauge

with pressure gauge

Min. working pressure

1.5 bar

Max. working pressure

16 bar

Min. ambient temperature

-10 °C

Max. ambient temperature

50 °C

Min. regulation range

0.5 bar

Max. regulation range

8 bar

Lock type

for padlocks

Type

2-part

Type

Can be assembled into blocks

Pressure supply	single
Mounting orientation	vertical
Regulator type	Diaphragm-type pressure regulator
Regulator function	with relieving air exhaust
Filter element	exchangeable
Filter reservoir volume	87 cm <sup>3</sup>
Max. achievable compressed air class acc. to ISO 8573-1:2010	6 : 7 : -
Lubricator reservoir volume	181 cm <sup>3</sup>
Type of filling	Semi-automatic oil filling during operation Manual oil filling
Medium	Compressed air Neutral gases
Weight	1.88 kg

## Material

Housing material	Polyamide
Seal material	Acrylonitrile butadiene rubber
Material front plate	Acrylonitrile butadiene styrene
Material threaded bushing	Die cast zinc
Material reservoir	Polycarbonate
Material protective guard	Polyamide
Material filter insert	Polyethylene
Part No.	R412009299

## Technical information

The pressure dew point must be at least 15 °C less than ambient and medium temperature and may not exceed 3 °C.

Note: Polycarbonate reservoirs are susceptible to solvents, supplementary information can be found at "Customer information".

Nominal flow  $Q_n$  with secondary pressure  $p_2 = 6$  bar at  $\Delta p = 1$  bar

A change in the flow direction (from air supply on the left to air supply on the right) occurs by rotating installation by 180° about the vertical axis. Please see the operating instructions for further details.

Also suitable for separation of fluid oil or water due to the design.

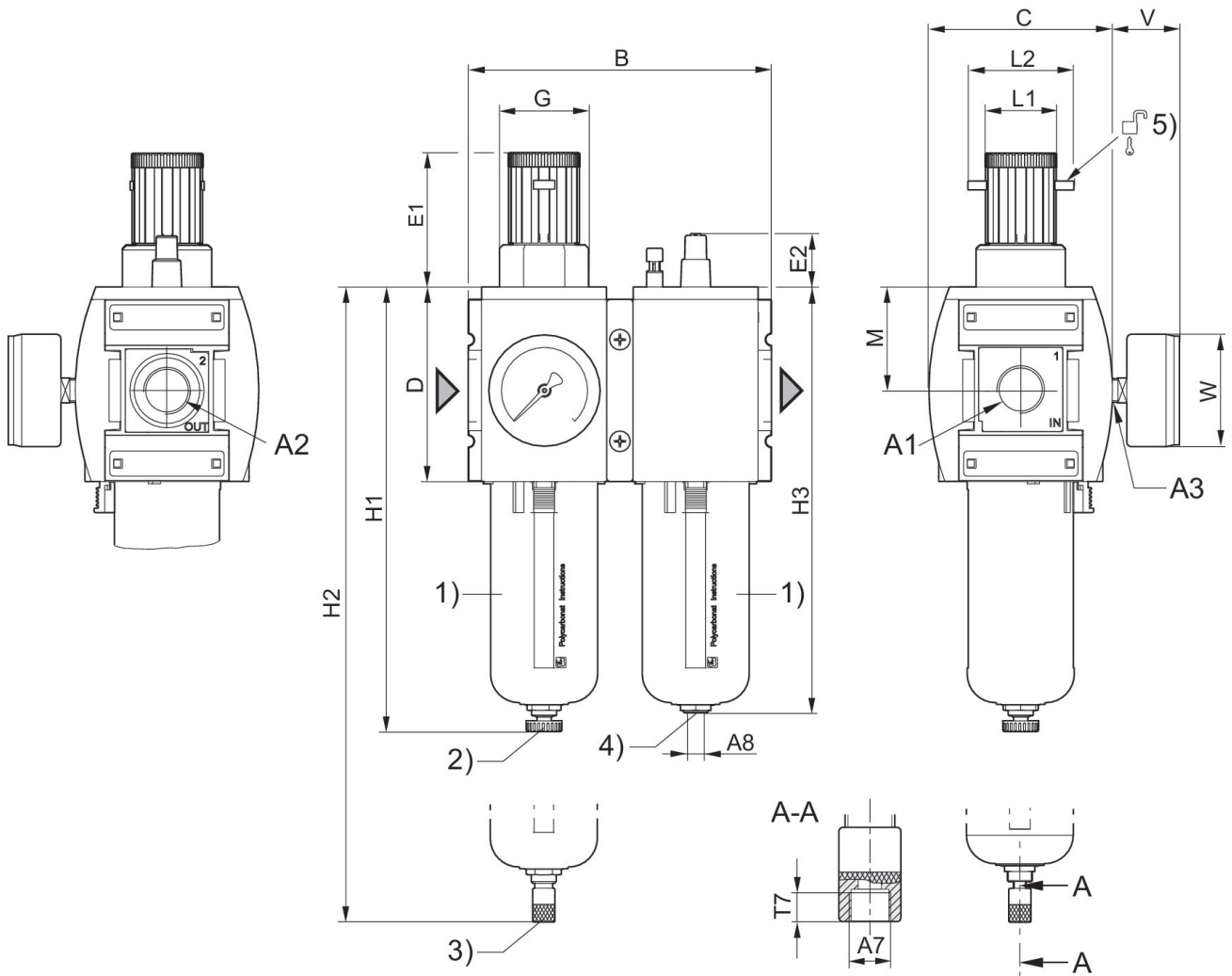
# Air preparation unit, 2-part, Series AS5-ACD

AS5

R412009299

2024-04-11

## Dimensions



- A1 = input A2 = output A3 = pressure gauge connection  
 A7 = condensate drain  
 1) Plastic reservoir and protective guard with window  
 2) Semi-automatic condensate drain  
 3) Fully automatic condensate drain  
 4) Port for semi-automatic oil filling  
 5) Mounting option for padlocks, max. shackle  $\varnothing$  8

## Dimensions in mm

Part No.	A1	A2	A3	A7	A8	B	C	D	E1
R412009298	G 3/4	G 3/4	G 1/4	G 1/8	G 1/8	170	103	109	75
R412009299	G 3/4	G 3/4	G 1/4	G 1/8	G 1/8	170	103	109	75
R412009307	G 1	G 1	G 1/4	G 1/8	G 1/8	170	103	109	75
R412009308	G 1	G 1	G 1/4	G 1/8	G 1/8	170	103	109	75
R412009309	G 1	G 1	G 1/4	G 1/8	G 1/8	170	103	109	75

Part No.	E2	G	H1	H2	H3	L1	L2	M	T7
R412009298	30.5	M50x1,5	250	266	239	41	60	58	8.5

# Air preparation unit, 2-part, Series AS5-ACD

AS5

R412009299

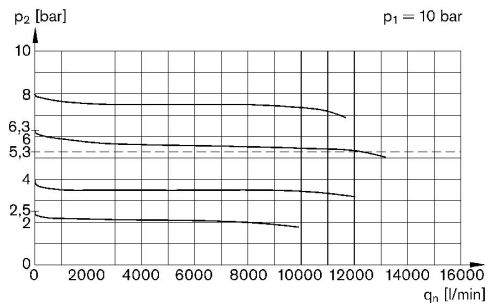
2024-04-11

Part No.	E2	G	H1	H2	H3	L1	L2	M	T7
R412009299	30.5	M50x1,5	250	266	239	41	60	58	8.5
R412009307	30.5	M50x1,5	250	266	239	41	60	58	8.5
R412009308	30.5	M50x1,5	250	266	239	41	60	58	8.5
R412009309	30.5	M50x1,5	250	266	239	41	60	58	8.5

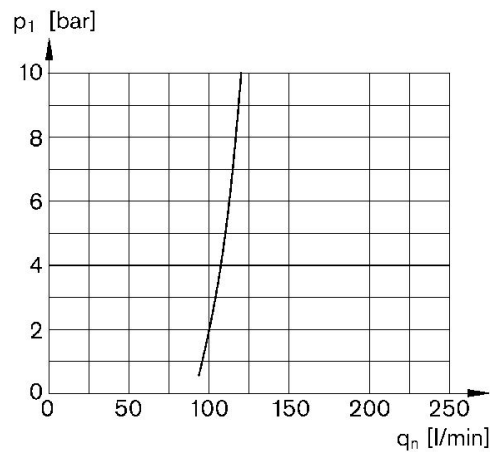
Part No.	V	W
R412009298	38	63
R412009299	38	63
R412009307	38	63
R412009308	38	63
R412009309	38	63

Flow rate characteristic (setting range p2: 0.5 - 8 bar)

Lubricator activation margin

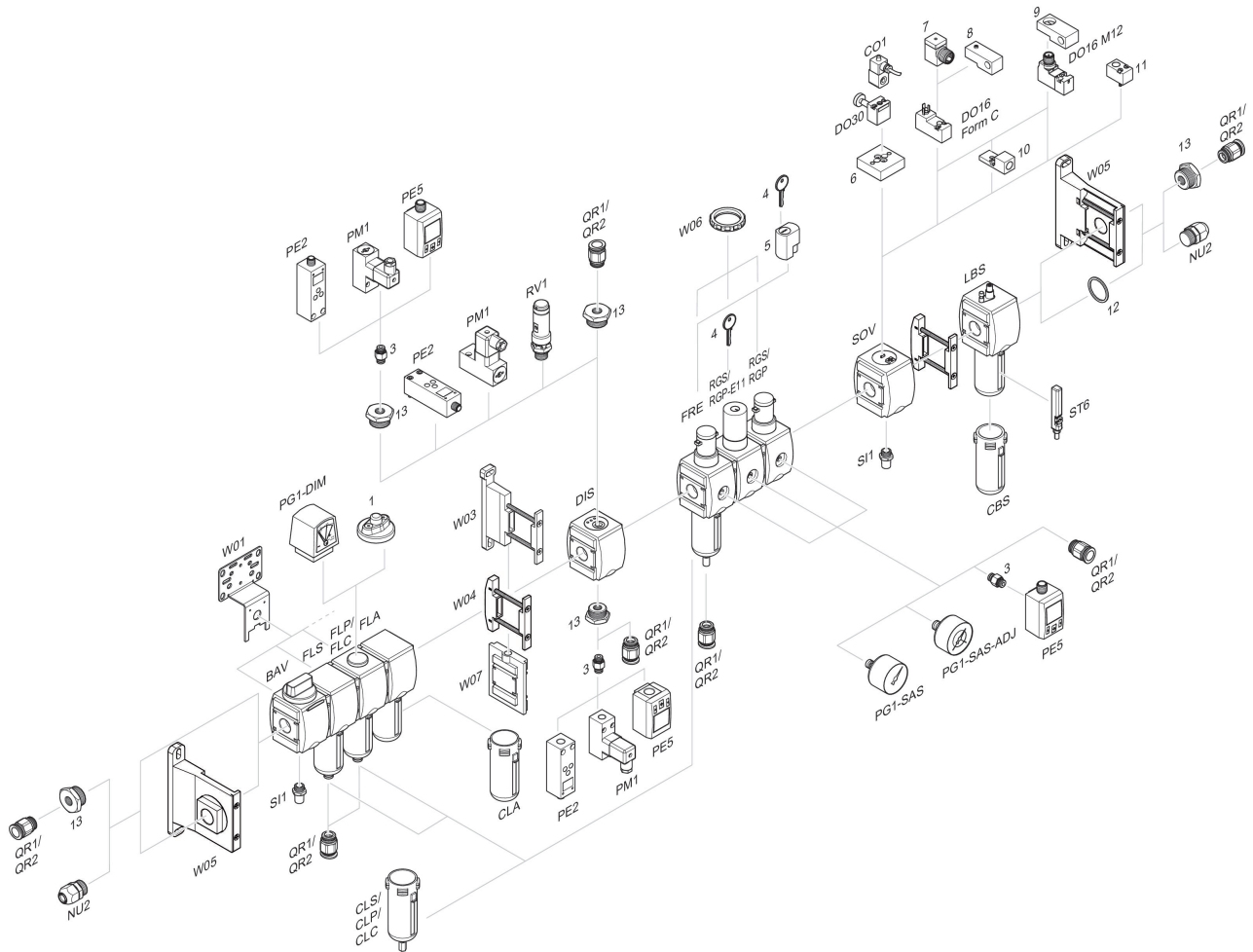


p1 = Working pressure p2 = Secondary pressure qn = Nominal flow



p1 = working pressure qn = nominal flow

## Accessories overview



1 = contamination display 3 = Double nipple 4 = Key for E11 locking 5 = mortise lock 6 = Transition plate DO30 7 = Adapter, Series CON-VP 8 = Mounting aid DO16, form C 9 = Mounting aid DO16, M12 10 = Adapter for external pilot air 11 = Adapter pneumatic operation 12 = Sealing ring 13 = Reducing nipple