

R412009252

Series AS5

The AVENTICS Series AS5 is a modular, versatile maintenance unit for universal application. This Series offers compact dimensions, is highly efficient, lightweight and easy-to-use. The AVENTICS Series AS guarantees reliability, safety, and efficiency with a simplified assembly and maintenance efforts.



Technical data

Industry	Industrial
Parts	Distributor
Port	G 3/4
Type	Non-return valve
Type	Can be assembled into blocks
Mounting orientation	Any
Min. working pressure	0.4 bar
Max. working pressure	16 bar
Min. ambient temperature	-10 °C
Max. ambient temperature	50 °C
Medium	Compressed air Neutral gases
Nominal flow Qn	16000 l/min
Nominal flow Qn 1 to 2	16000 l/min
Housing material	Polyamide
Material front plate	Acrylonitrile butadiene styrene
Seal material	Acrylonitrile butadiene rubber
Material threaded bushing	Die cast zinc
	R412009252

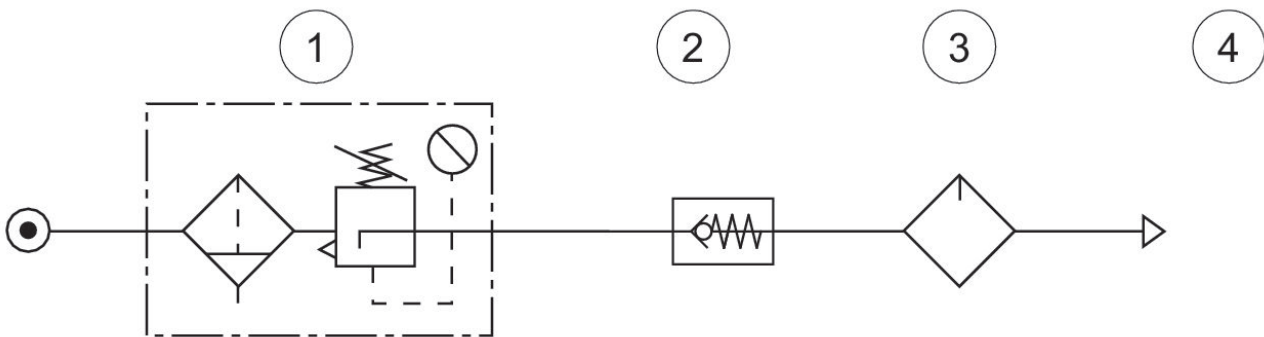
Technical information

The pressure dew point must be at least 15 °C less than ambient and medium temperature and may not exceed 3 °C.

Nominal flow Q_n with secondary pressure $p_2 = 6$ bar at $\Delta p = 1$ bar

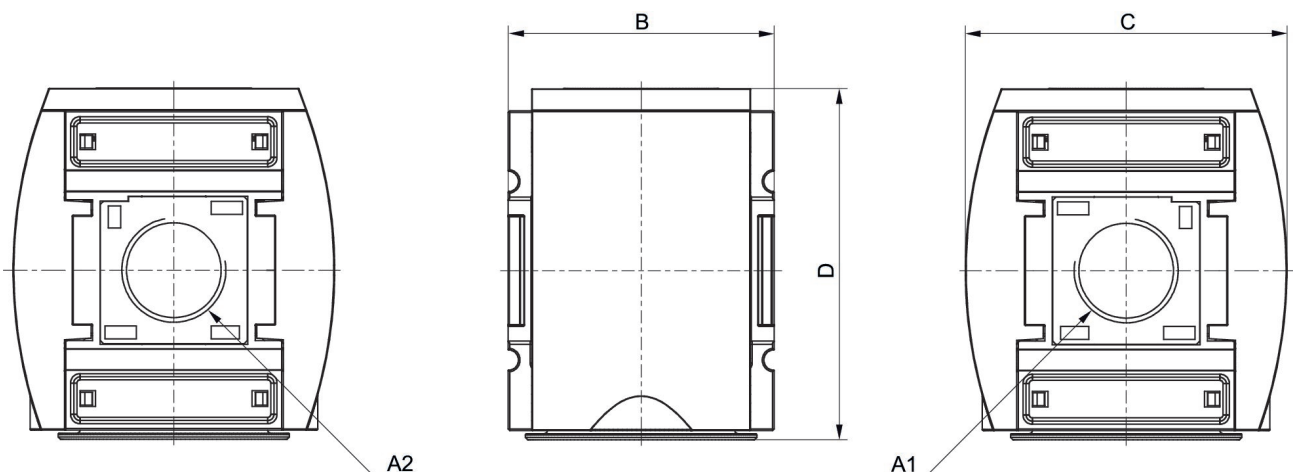
A change in the flow direction (from air supply on the left to air supply on the right) occurs by rotating installation by 180° about the vertical axis. Please see the operating instructions for further details.

usage



- 1) Filter pressure regulator
- 2) Non-return valve
- 3) Lubricator
- 4) Compressed air

Dimensions

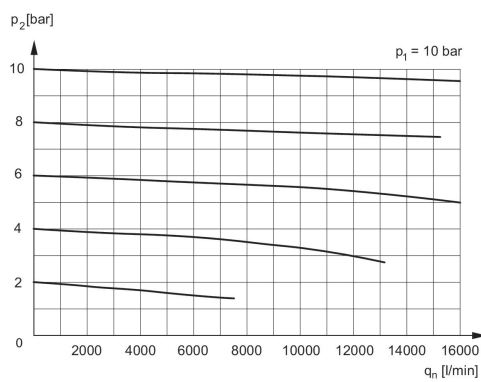


A1 = input A2 = output

Dimensions in mm

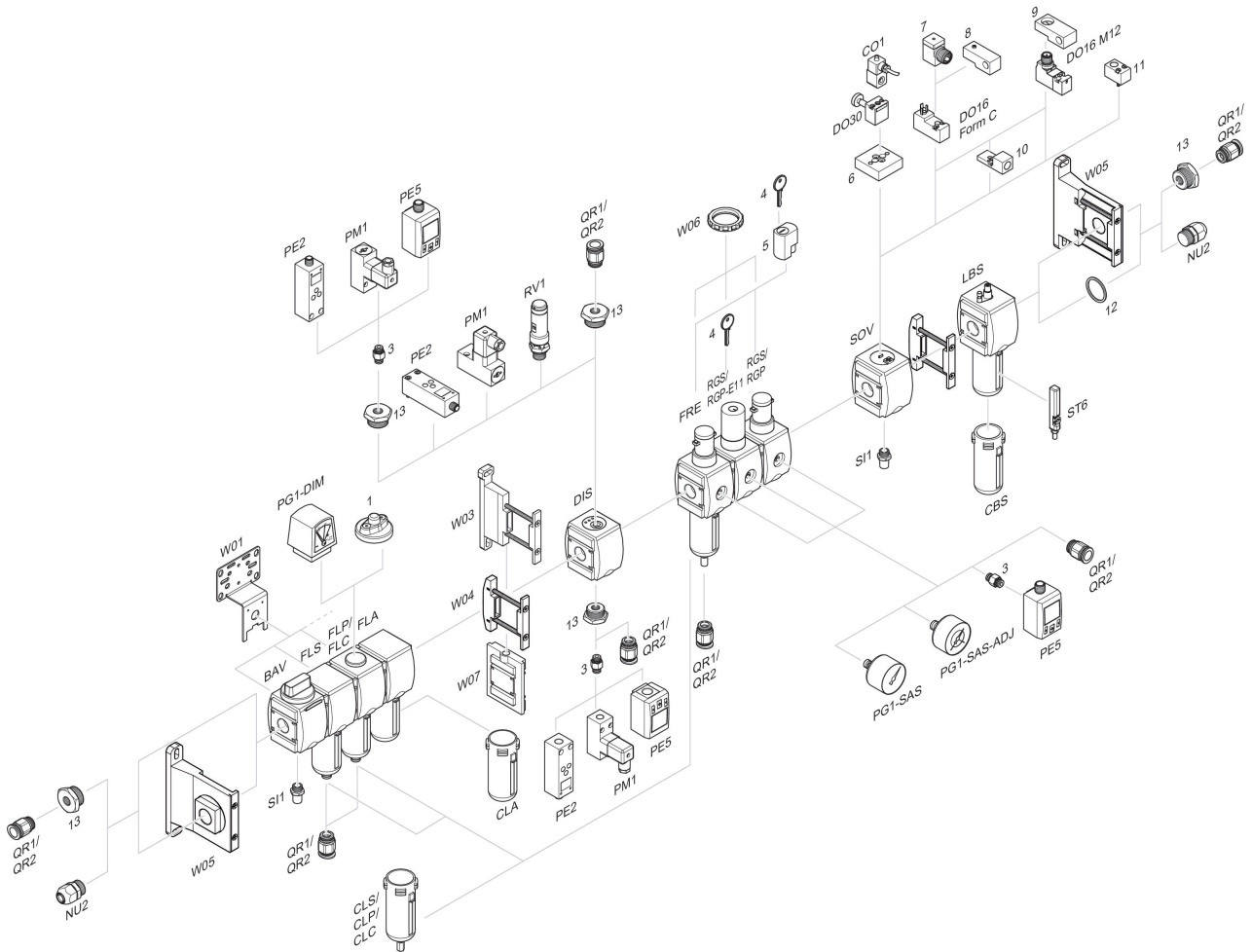
Part No.	A1	A2	B	C	D
R412009252	G 3/4	G 3/4	85	103	112
R412009253	G 1	G 1	85	103	112

Flow rate characteristic, $p_2 = 0,05 - 7$ bar



p_1 = Working pressure p_2 = Secondary pressure q_n = Nominal flow

Accessories overview



1 = contamination display 3 = Double nipple 4 = Key for E11 locking 5 = mortise lock 6 = Transition plate DO30 7 = Adapter, Series CON-VP 8 = Mounting aid DO16, form C 9 = Mounting aid DO16, M12 10 = Adapter for external pilot air 11 = Adapter pneumatic operation 12 = Sealing ring 13 = Reducing nipple