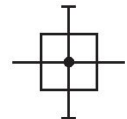


Series AS5

The AVENTICS Series AS5 is a modular, versatile maintenance unit for universal application. This Series offers compact dimensions, is highly efficient, lightweight and easy-to-use. The AVENTICS Series AS guarantees reliability, safety, and efficiency with a simplified assembly and maintenance efforts.



Technical data

Industry	Industrial
Parts	Distributor
Port	G 3/4
Type	Distributor
Type	Can be assembled into blocks
Version	Distributor 2x
Mounting orientation	Any
Min. working pressure	0 bar
Max. working pressure	16 bar
Min. ambient temperature	-10 °C
Max. ambient temperature	50 °C
Medium	Compressed air Neutral gases
Nominal flow Qn	18000 l/min
Nominal flow Qn 1 to 2	18000 l/min
Nominal flow Qn 1 to 3	8500 l/min
Nominal flow Qn 1 to 5	12000 l/min
Weight	0.648 kg
Housing material	Polyamide
Material front plate	Acrylonitrile butadiene styrene

Distributor, Series AS5-DIS

2024-03-20

R412009250

Seal material
Material threaded bushing

Acrylonitrile butadiene rubber
Die cast zinc
R412009250

Technical information

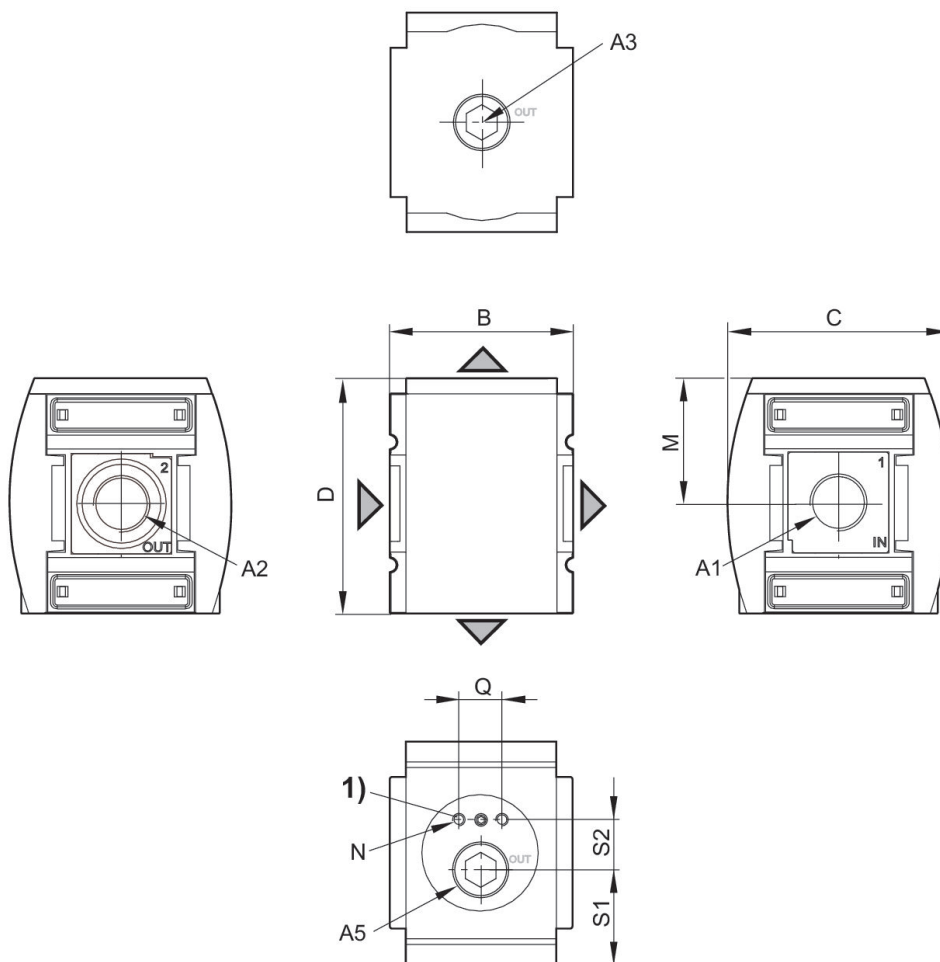
The pressure dew point must be at least 15 °C less than ambient and medium temperature and may not exceed 3 °C.

Nominal flow Q_n with secondary pressure $p_2 = 6$ bar at $\Delta p = 1$ bar

A change in the flow direction (from air supply on the left to air supply on the right) occurs by rotating installation by 180° about the vertical axis. Please see the operating instructions for further details.

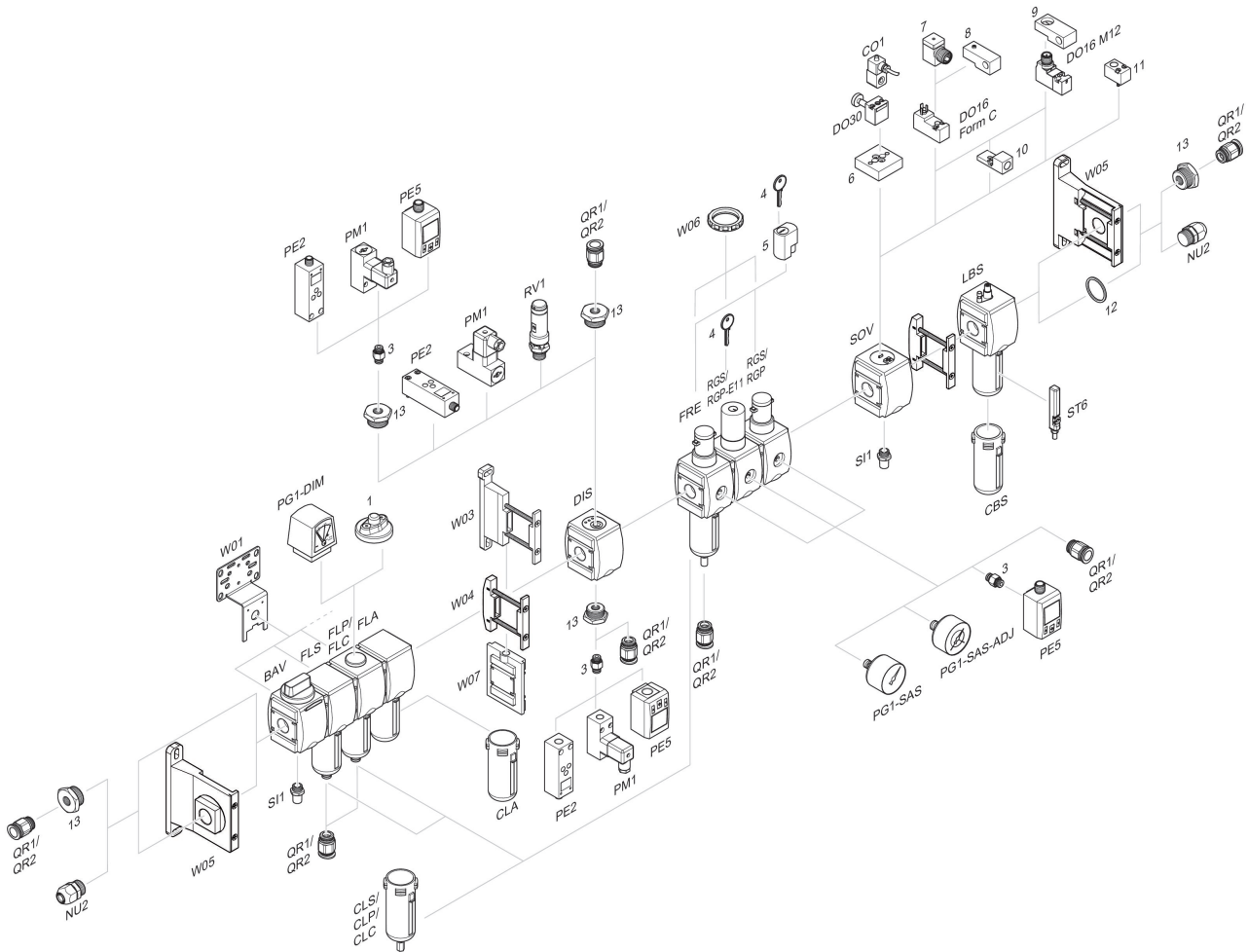
Suitable for direct mounting of a PE2 and PM1 series pressure sensor (flange version).

Dimensions



A1 = input A2 = output A3 = output A5 = output
1) Mounting thread for pressure sensor

Accessories overview



1 = contamination display 3 = Double nipple 4 = Key for E11 locking 5 = mortise lock 6 = Transition plate DO30 7 = Adapter, Series CON-VP 8 = Mounting aid DO16, form C 9 = Mounting aid DO16, M12 10 = Adapter for external pilot air 11 = Adapter pneumatic operation 12 = Sealing ring 13 = Reducing nipple

Dimensions in mm

Part No.	A1	A2	A3	A5	B	C	D	M	N
R412009250	G 3/4	G 3/4	G 3/4	G 3/4	85	103	109	58	M5
R412009251	G 1	G 1	G 3/4	G 3/4	85	103	109	58	M5

Part No.	Q	S1	S2
R412009250	20	44.5	22
R412009251	20	44.5	22