

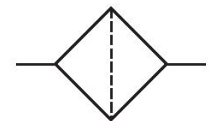
# Active carbon filter, Series AS5-FLA

2024-03-20

R412009072

## Series AS5

The AVENTICS Series AS5 is a modular, versatile maintenance unit for universal application. This Series offers compact dimensions, is highly efficient, lightweight and easy-to-use. The AVENTICS Series AS guarantees reliability, safety, and efficiency with a simplified assembly and maintenance efforts.



## Technical data

Industry	Industrial
Parts	Active carbon filter
Reservoir	reservoir, polycarbonate, with PA protective guard
Port	G 3/4
Nominal flow Qn	1700 l/min
Condensate drain	without
Min. working pressure	0 bar
Max. working pressure	16 bar
Min. ambient temperature	-10 °C
Max. ambient temperature	50 °C
Medium	Compressed air Neutral gases
Max. achievable compressed air class acc. to ISO 8573-1:2010	- : - : 1
Filter reservoir volume	87 cm <sup>3</sup>
Filter element	exchangeable
Recommended pre-filtering	0.01 µm
Weight	0.71 kg
Mounting orientation	vertical

# Active carbon filter, Series AS5-FLA

2024-03-20

R412009072

Type

Can be assembled into blocks

## Material

Housing material	Polyamide
Material front plate	Acrylonitrile butadiene styrene
Seal material	Acrylonitrile butadiene rubber
Material threaded bushing	Die cast zinc
Material reservoir	Polycarbonate
Material protective guard	Polyamide
Material filter insert	Active carbon
Part No.	R412009072

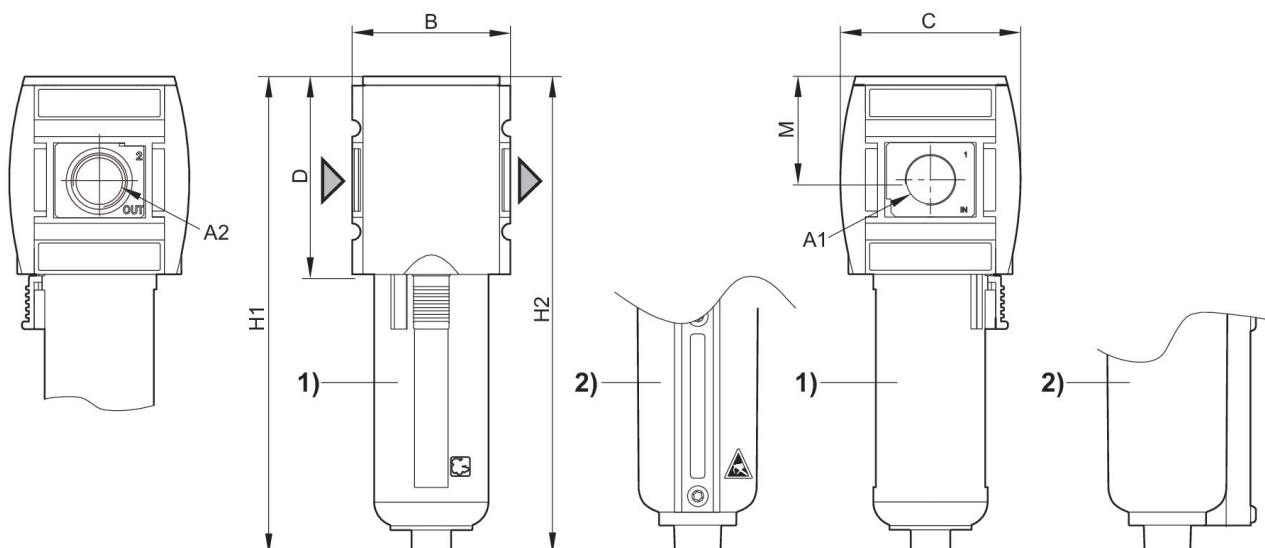
## Technical information

The pressure dew point must be at least 15 °C less than ambient and medium temperature and may not exceed 3 °C.

Note: Polycarbonate reservoirs are susceptible to solvents, supplementary information can be found at "Customer information".

A change in the flow direction (from air supply on the left to air supply on the right) occurs by rotating installation by 180° about the vertical axis. Please see the operating instructions for further details.

## Dimensions



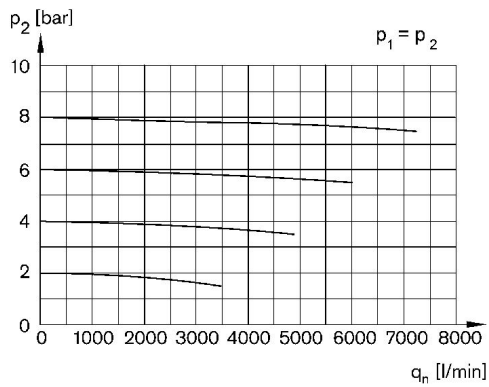
A1 = input A2 = output

- 1) Plastic reservoir and protective guard with window
- 2) Metal reservoir with inspection glass

## Dimensions in mm

Part No.	A1	A2	B	C	D	H1	H2	M
R412009072	G 3/4	G 3/4	85	103	109	242	246	58
R412009074	G 3/4	G 3/4	85	103	109	242	246	58
R412009075	G 1	G 1	85	103	109	242	246	58
R412009077	G 1	G 1	85	103	109	242	246	58

## Flow rate characteristic, $p_2 = 0,05 - 7$ bar



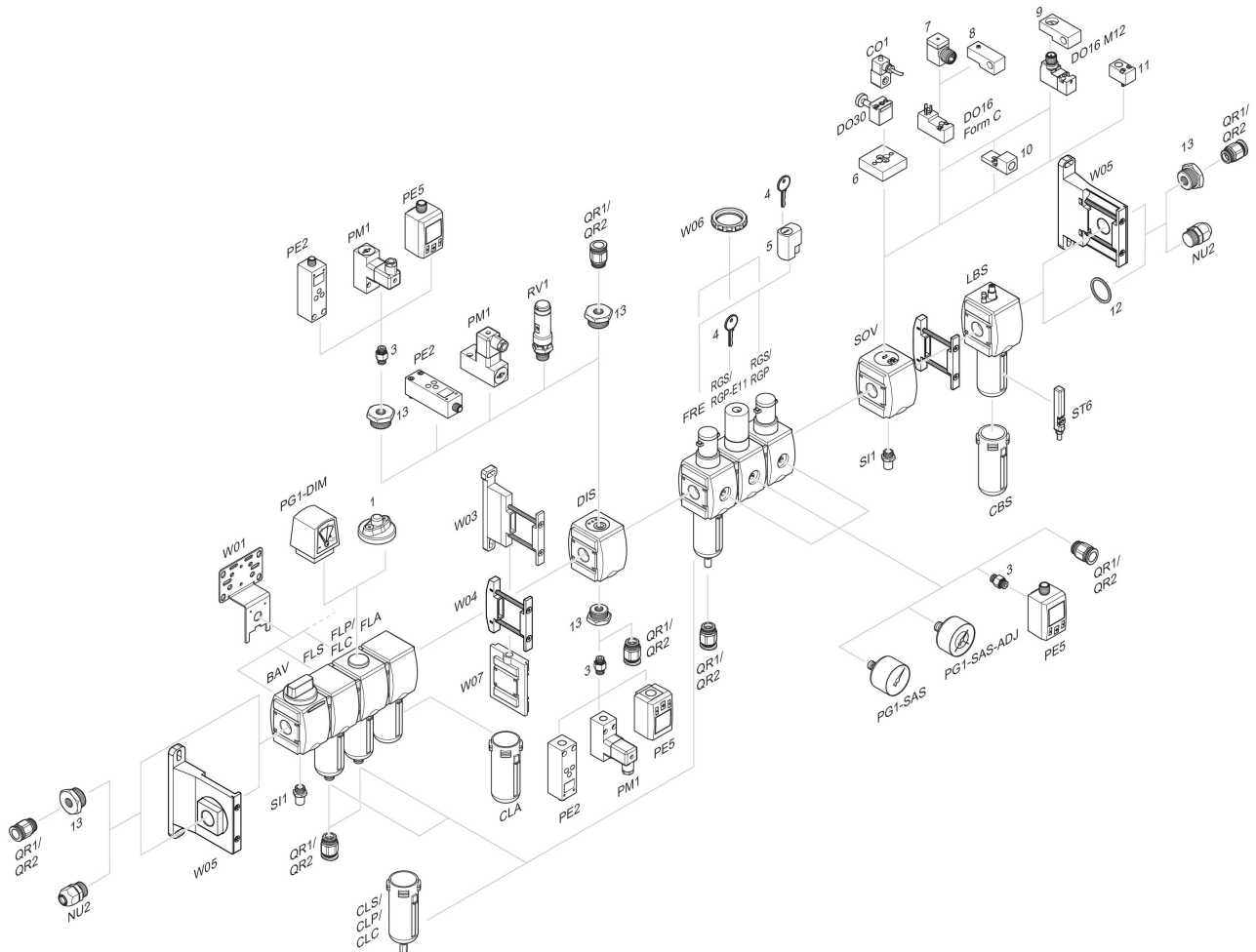
$p_1$  = Working pressure  $p_2$  = Secondary pressure  $q_n$  = Nominal flow

# Active carbon filter, Series AS5-FLA

2024-03-20

R412009072

## Accessories overview



1 = contamination display 3 = Double nipple 4 = Key for E11 locking 5 = mortise lock 6 = Transition plate DO30 7 = Adapter, Series CON-VP 8 = Mounting aid DO16, form C 9 = Mounting aid DO16, M12 10 = Adapter for external pilot air 11 = Adapter pneumatic operation 12 = Sealing ring 13 = Reducing nipple