

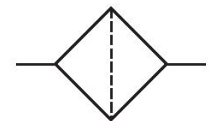
Active carbon filter, Series AS5-FLA

2024-03-20

R412009074

Series AS5

The AVENTICS Series AS5 is a modular, versatile maintenance unit for universal application. This Series offers compact dimensions, is highly efficient, lightweight and easy-to-use. The AVENTICS Series AS guarantees reliability, safety, and efficiency with a simplified assembly and maintenance efforts.



Technical data

| | |
|--|---|
| Industry | Industrial |
| Parts | Active carbon filter |
| Reservoir | reservoir, metal, with inspection glass |
| Port | G 3/4 |
| Nominal flow Qn | 1700 l/min |
| Condensate drain | without |
| Min. working pressure | 0 bar |
| Max. working pressure | 16 bar |
| Min. ambient temperature | -10 °C |
| Max. ambient temperature | 50 °C |
| Medium | Compressed air Neutral gases |
| Max. achievable compressed air class acc. to ISO 8573-1:2010 | - : - : 1 |
| Filter reservoir volume | 87 cm ³ |
| Filter element | exchangeable |
| Recommended pre-filtering | 0.01 µm |
| Weight | 0.375 kg |
| inspection glass | with window |
| Mounting orientation | vertical |

Active carbon filter, Series AS5-FLA

2024-03-20

R412009074

Type

Can be assembled into blocks

Material

Housing material

Polyamide

Material front plate

Acrylonitrile butadiene styrene

Seal material

Acrylonitrile butadiene rubber

Material threaded bushing

Die cast zinc

Material reservoir

Die cast zinc

Material filter insert

Active carbon

Part No.

R412009074

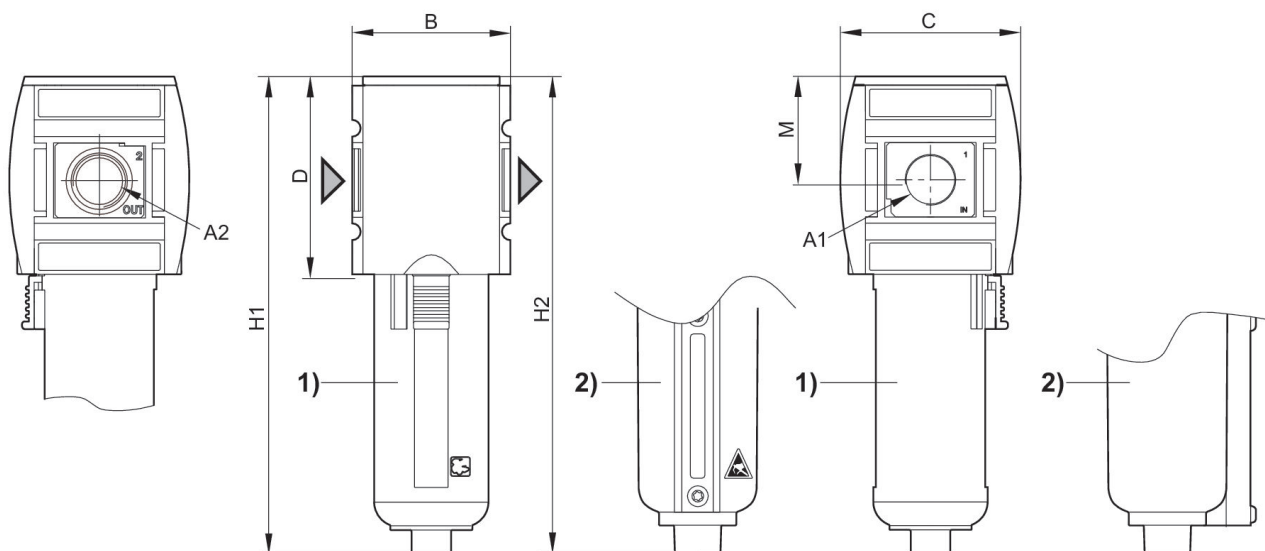
Technical information

The pressure dew point must be at least 15 °C less than ambient and medium temperature and may not exceed 3 °C.

Note: Polycarbonate reservoirs are susceptible to solvents, supplementary information can be found at "Customer information".

A change in the flow direction (from air supply on the left to air supply on the right) occurs by rotating installation by 180° about the vertical axis. Please see the operating instructions for further details.

Dimensions



A1 = input A2 = output

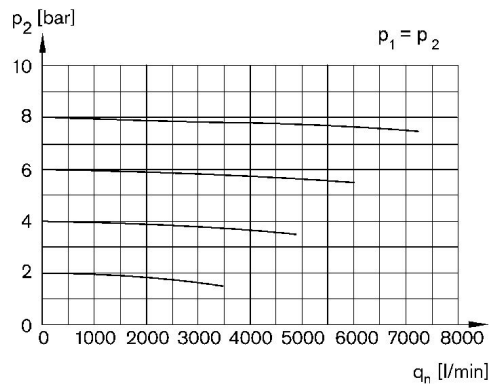
1) Plastic reservoir and protective guard with window

2) Metal reservoir with inspection glass

Dimensions in mm

| Part No. | A1 | A2 | B | C | D | H1 | H2 | M |
|------------|-------|-------|----|-----|-----|-----|-----|----|
| R412009072 | G 3/4 | G 3/4 | 85 | 103 | 109 | 242 | 246 | 58 |
| R412009074 | G 3/4 | G 3/4 | 85 | 103 | 109 | 242 | 246 | 58 |
| R412009075 | G 1 | G 1 | 85 | 103 | 109 | 242 | 246 | 58 |
| R412009077 | G 1 | G 1 | 85 | 103 | 109 | 242 | 246 | 58 |

Flow rate characteristic, $p_2 = 0,05 - 7$ bar



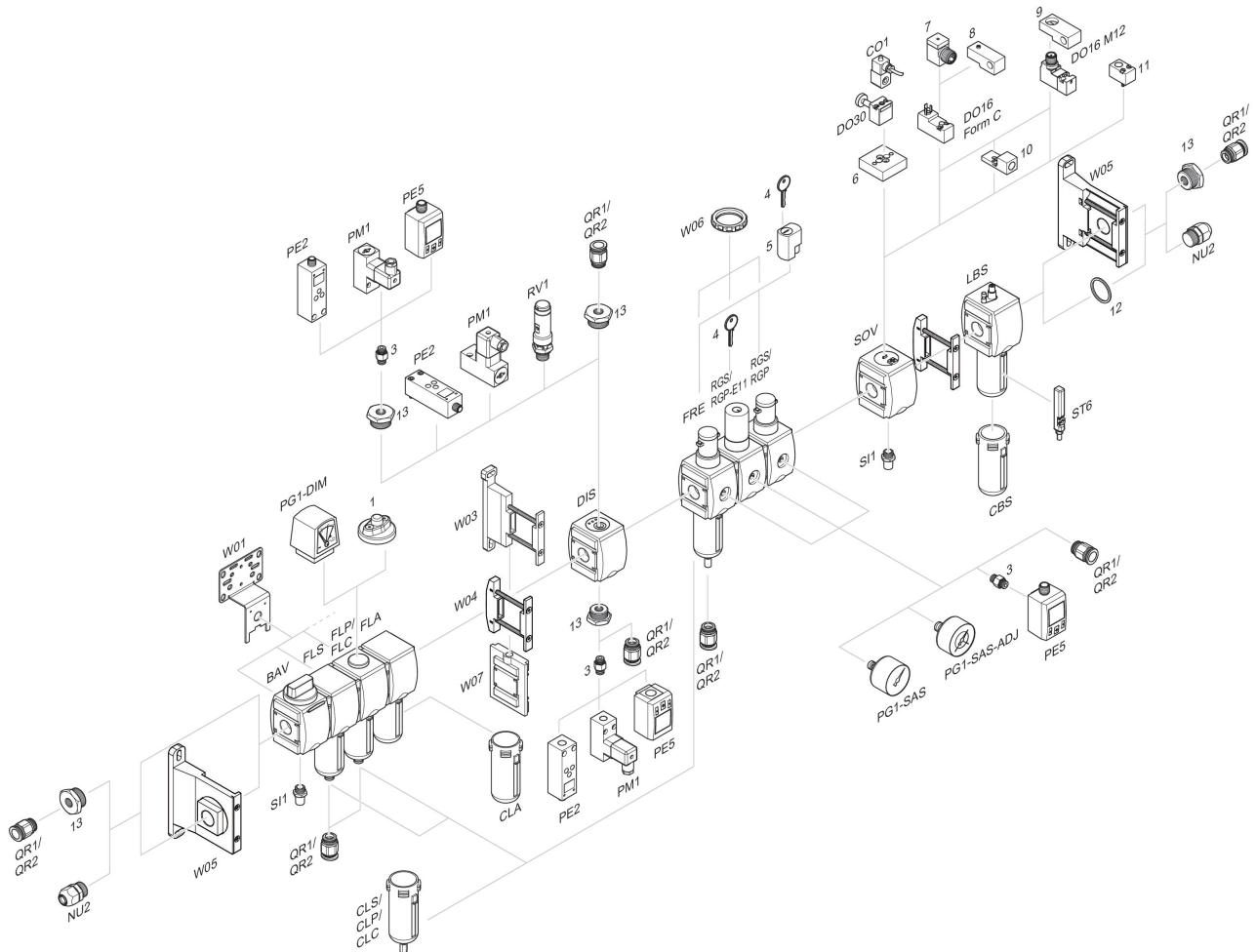
p_1 = Working pressure p_2 = Secondary pressure q_n = Nominal flow

Active carbon filter, Series AS5-FLA

2024-03-20

R412009074

Accessories overview



1 = contamination display 3 = Double nipple 4 = Key for E11 locking 5 = mortise lock 6 = Transition plate DO30 7 = Adapter, Series CON-VP 8 = Mounting aid DO16, form C 9 = Mounting aid DO16, M12 10 = Adapter for external pilot air 11 = Adapter pneumatic operation 12 = Sealing ring 13 = Reducing nipple