

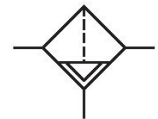
Microfilter, Series AS5-FLC

2024-03-20

R412009061

Series AS5

The AVENTICS Series AS5 is a modular, versatile maintenance unit for universal application. This Series offers compact dimensions, is highly efficient, lightweight and easy-to-use. The AVENTICS Series AS guarantees reliability, safety, and efficiency with a simplified assembly and maintenance efforts.



Technical data

| | |
|--|---|
| Industry | Industrial |
| Parts | Microfilter |
| Reservoir | reservoir, metal, with inspection glass |
| Port | G 3/4 |
| Filter porosity | 0.01 μm |
| Nominal flow Qn | 1600 l/min |
| Condensate drain | fully automatic, open without pressure |
| Min. working pressure | 1.5 bar |
| Max. working pressure | 16 bar |
| Min. ambient temperature | -10 °C |
| Max. ambient temperature | 50 °C |
| Medium | Compressed air Neutral gases |
| Max. achievable compressed air class acc. to ISO 8573-1:2010 | 1 : - : 2 |
| Filter reservoir volume | 87 cm ³ |
| Filter element | exchangeable |
| Recommended pre-filtering | 0.3 μm |
| Weight | 1.58 kg |
| contamination display | integrated |

Microfilter, Series AS5-FLC

2024-03-20

R412009061

| | |
|----------------------|------------------------------|
| inspection glass | with window |
| Mounting orientation | vertical |
| Type | Can be assembled into blocks |

Material

| | |
|---------------------------|---------------------------------|
| Housing material | Polyamide |
| Material front plate | Acrylonitrile butadiene styrene |
| Seal material | Acrylonitrile butadiene rubber |
| Material threaded bushing | Die cast zinc |
| Material reservoir | Die cast zinc |
| Material filter insert | Borosilicate glass fiber |
| Part No. | R412009061 |

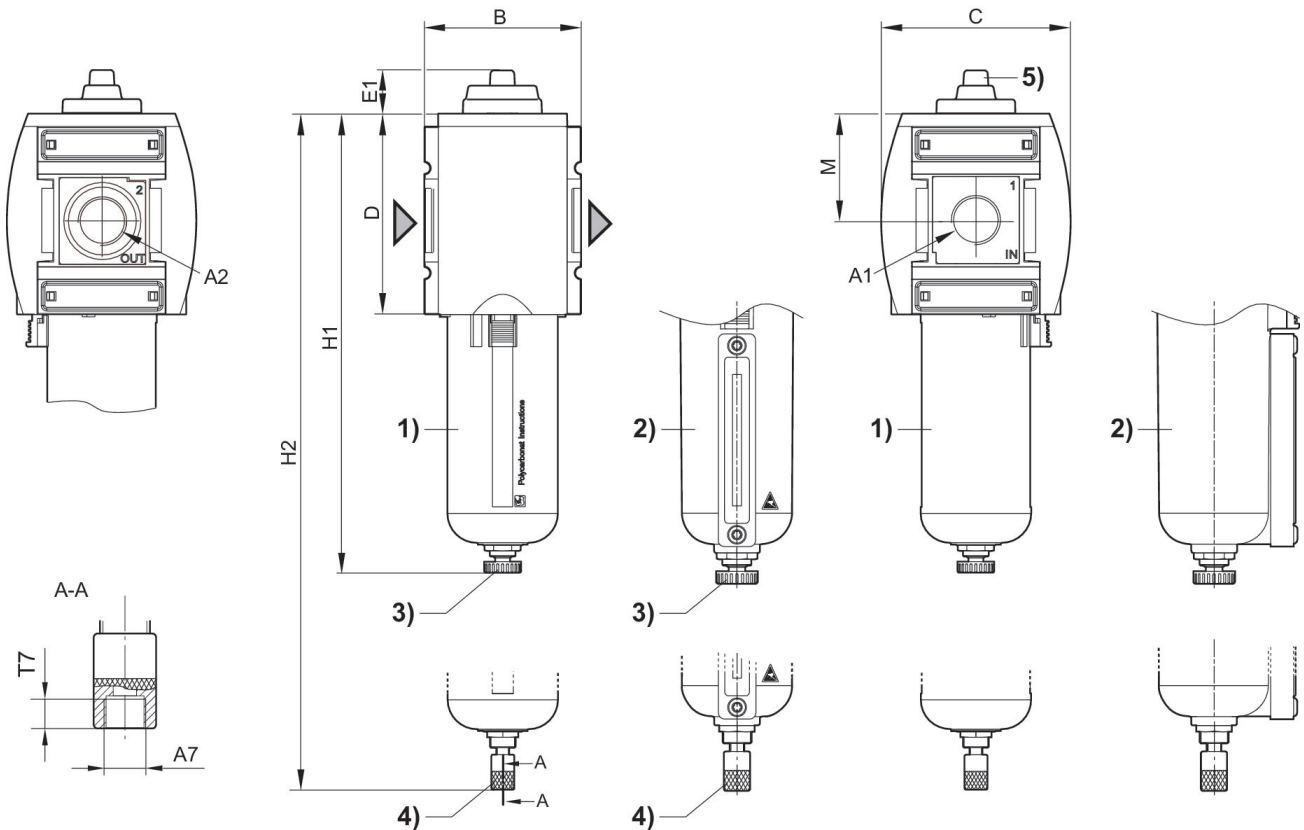
Technical information

The pressure dew point must be at least 15 °C less than ambient and medium temperature and may not exceed 3 °C.

Note: Polycarbonate reservoirs are susceptible to solvents, supplementary information can be found at "Customer information".

A change in the flow direction (from air supply on the left to air supply on the right) occurs by rotating installation by 180° about the vertical axis. Please see the operating instructions for further details.

Dimensions



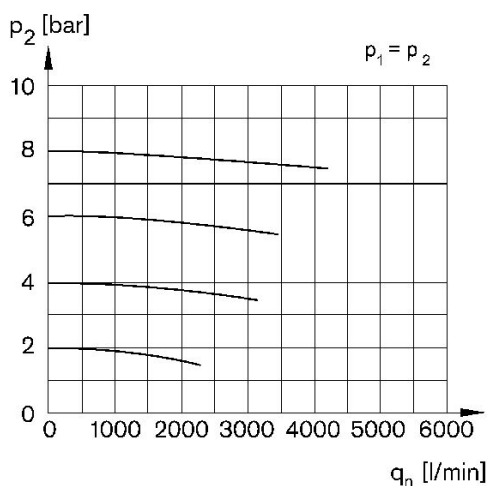
- A1 = input A2 = output
 A7 = condensate drain
 1) Plastic reservoir and protective guard with window
 2) Metal reservoir with level indicator
 3) Semi-automatic condensate drain
 4) Fully automatic condensate drain
 5) contamination display

Dimensions in mm

| Part No. | A1 | A2 | A7 | B | C | D | E1 | H1 | H2 |
|------------|-------|-------|-------|----|-----|-----|------|-----|-----|
| R412009054 | G 3/4 | G 3/4 | G 1/8 | 85 | 103 | 109 | 23.7 | 250 | -- |
| R412009055 | G 3/4 | G 3/4 | -- | 85 | 103 | 109 | 23.7 | -- | 266 |
| R412009056 | G 3/4 | G 3/4 | -- | 85 | 103 | 109 | 23.7 | -- | 266 |
| R412009063 | G 1 | G 1 | G 1/8 | 85 | 103 | 109 | 23.7 | 250 | -- |
| R412009064 | G 1 | G 1 | -- | 85 | 103 | 109 | 23.7 | -- | 266 |
| R412009065 | G 1 | G 1 | -- | 85 | 103 | 109 | 23.7 | -- | 266 |
| R412009060 | G 3/4 | G 3/4 | G 1/8 | 85 | 103 | 109 | 23.7 | 250 | -- |
| R412009061 | G 3/4 | G 3/4 | -- | 85 | 103 | 109 | 23.7 | -- | 266 |
| R412009062 | G 3/4 | G 3/4 | -- | 85 | 103 | 109 | 23.7 | -- | 266 |
| R412009069 | G 1 | G 1 | G 1/8 | 85 | 103 | 109 | 23.7 | 250 | -- |
| R412009070 | G 1 | G 1 | -- | 85 | 103 | 109 | 23.7 | -- | 266 |
| R412009071 | G 1 | G 1 | -- | 85 | 103 | 109 | 23.7 | -- | 266 |

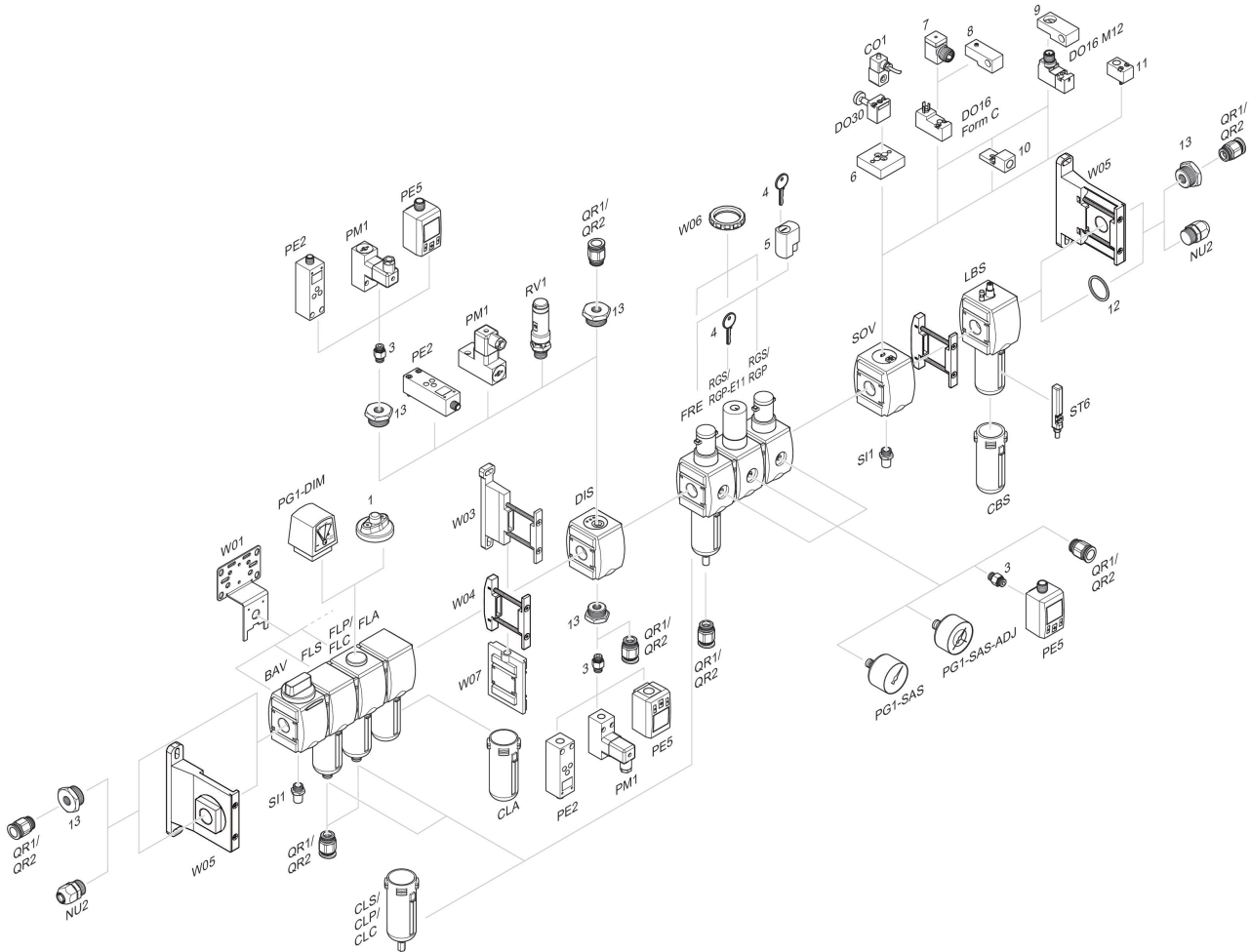
| Part No. | M | T7 |
|------------|----|-----|
| R412009054 | 58 | 8.5 |
| R412009055 | 58 | -- |
| R412009056 | 58 | -- |
| R412009063 | 58 | 8.5 |
| R412009064 | 58 | -- |
| R412009065 | 58 | -- |
| R412009060 | 58 | 8.5 |
| R412009061 | 58 | -- |
| R412009062 | 58 | -- |
| R412009069 | 58 | 8.5 |
| R412009070 | 58 | -- |
| R412009071 | 58 | -- |

Flow rate characteristic, $p_2 = 0,05 - 7$ bar



p_1 = Working pressure p_2 = Secondary pressure q_n = Nominal flow

Accessories overview



1 = contamination display 3 = Double nipple 4 = Key for E11 locking 5 = mortise lock 6 = Transition plate DO30 7 = Adapter, Series CON-VP 8 = Mounting aid DO16, form C 9 = Mounting aid DO16, M12 10 = Adapter for external pilot air 11 = Adapter pneumatic operation 12 = Sealing ring 13 = Reducing nipple