

Microfilter, Series AS5-FLC

2024-03-20

R412009042

Series AS5

The AVENTICS Series AS5 is a modular, versatile maintenance unit for universal application. This Series offers compact dimensions, is highly efficient, lightweight and easy-to-use. The AVENTICS Series AS guarantees reliability, safety, and efficiency with a simplified assembly and maintenance efforts.



Technical data

| | |
|--|---------------------------------------|
| Industry | Industrial |
| Parts | Microfilter |
| Reservoir | Metal reservoir without window |
| Port | G 3/4 |
| Filter porosity | 0.01 µm |
| Nominal flow Qn | 1600 l/min |
| Condensate drain | semi-automatic, open without pressure |
| Min. working pressure | 1.5 bar |
| Max. working pressure | 16 bar |
| Min. ambient temperature | -10 °C |
| Max. ambient temperature | 50 °C |
| Medium | Compressed air Neutral gases |
| Max. achievable compressed air class acc. to ISO 8573-1:2010 | 1 : - : 2 |
| Filter reservoir volume | 87 cm ³ |
| Filter element | exchangeable |
| Recommended pre-filtering | 0.3 µm |
| Weight | 1.21 kg |
| Mounting orientation | vertical |

Microfilter, Series AS5-FLC

2024-03-20

R412009042

Type Can be assembled into blocks

Material

| | |
|---------------------------|---------------------------------|
| Housing material | Polyamide |
| Material front plate | Acrylonitrile butadiene styrene |
| Seal material | Acrylonitrile butadiene rubber |
| Material threaded bushing | Die cast zinc |
| Material reservoir | Die cast zinc |
| Material filter insert | Borosilicate glass fiber |
| Part No. | R412009042 |

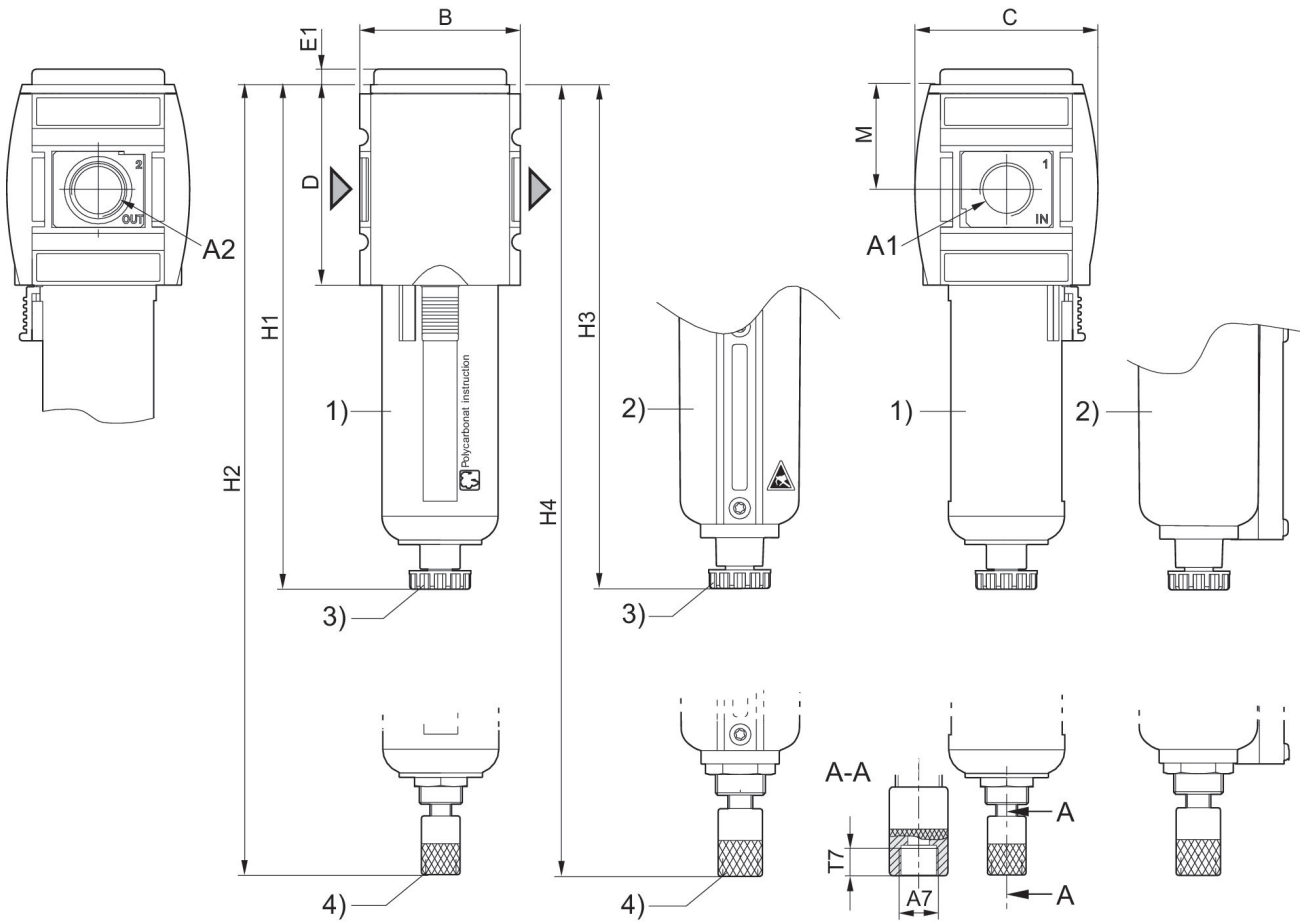
Technical information

The pressure dew point must be at least 15 °C less than ambient and medium temperature and may not exceed 3 °C.

Note: Polycarbonate reservoirs are susceptible to solvents, supplementary information can be found at "Customer information".

A change in the flow direction (from air supply on the left to air supply on the right) occurs by rotating installation by 180° about the vertical axis. Please see the operating instructions for further details.

Dimensions



A1 = input A2 = output

A7 = condensate drain

1) Plastic reservoir and protective guard with window

2) Metal reservoir with inspection glass

3) Semi-automatic condensate drain

4) Fully automatic condensate drain

Dimensions in mm

| Part No. | A1 | A2 | A7 | B | C | D | E1 | H1 | H2 |
|------------|-------|-------|-------|----|-----|-----|----|-----|-----|
| R412009036 | G 3/4 | G 3/4 | G 1/8 | 85 | 103 | 109 | 5 | 250 | 266 |
| R412009037 | G 3/4 | G 3/4 | G 1/8 | 85 | 103 | 109 | 5 | 250 | 266 |
| R412009038 | G 3/4 | G 3/4 | G 1/8 | 85 | 103 | 109 | 5 | 250 | 266 |
| R412009042 | G 3/4 | G 3/4 | G 1/8 | 85 | 103 | 109 | 5 | 250 | 266 |
| R412009043 | G 3/4 | G 3/4 | G 1/8 | 85 | 103 | 109 | 5 | 250 | 266 |
| R412009044 | G 3/4 | G 3/4 | G 1/8 | 85 | 103 | 109 | 5 | 250 | 266 |
| R412009045 | G 1 | G 1 | G 1/8 | 85 | 103 | 109 | 5 | 250 | 266 |
| R412009046 | G 1 | G 1 | G 1/8 | 85 | 103 | 109 | 5 | 250 | 266 |
| R412009047 | G 1 | G 1 | G 1/8 | 85 | 103 | 109 | 5 | 250 | 266 |
| R412009051 | G 1 | G 1 | G 1/8 | 85 | 103 | 109 | 5 | 250 | 266 |
| R412009052 | G 1 | G 1 | G 1/8 | 85 | 103 | 109 | 5 | 250 | 266 |
| R412009053 | G 1 | G 1 | G 1/8 | 85 | 103 | 109 | 5 | 250 | 266 |

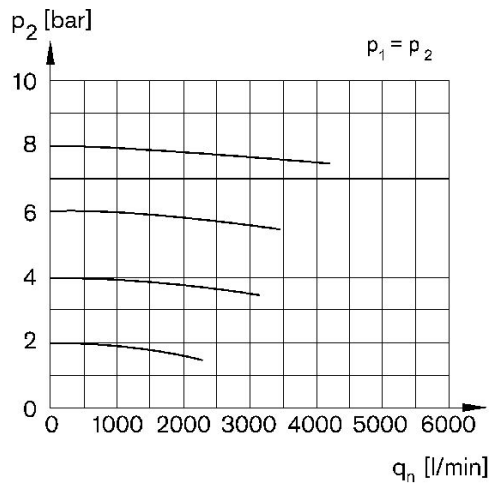
Microfilter, Series AS5-FLC

2024-03-20

R412009042

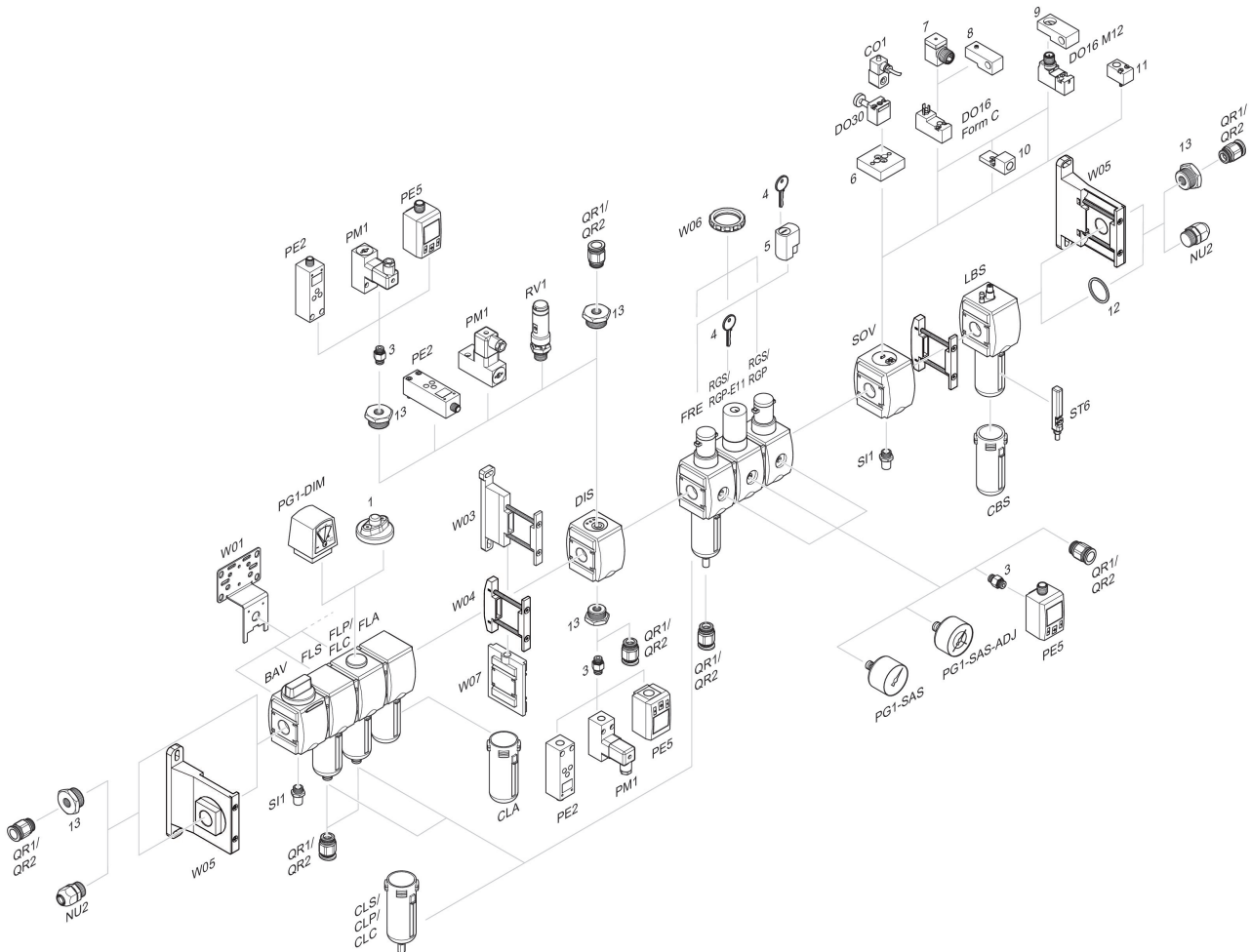
| Part No. | H3 | H4 | M | T7 |
|------------|-----|-----|----|-----|
| R412009036 | 254 | 270 | 58 | 8.5 |
| R412009037 | 254 | 270 | 58 | 8.5 |
| R412009038 | 254 | 270 | 58 | 8.5 |
| R412009042 | 254 | 270 | 58 | 8.5 |
| R412009043 | 254 | 270 | 58 | 8.5 |
| R412009044 | 254 | 270 | 58 | 8.5 |
| R412009045 | 254 | 270 | 58 | 8.5 |
| R412009046 | 254 | 270 | 58 | 8.5 |
| R412009047 | 254 | 270 | 58 | 8.5 |
| R412009051 | 254 | 270 | 58 | 8.5 |
| R412009052 | 254 | 270 | 58 | 8.5 |
| R412009053 | 254 | 270 | 58 | 8.5 |

Flow rate characteristic, $p_2 = 0,05 - 7$ bar



p_1 = Working pressure p_2 = Secondary pressure q_n = Nominal flow

Accessories overview



1 = contamination display 3 = Double nipple 4 = Key for E11 locking 5 = mortise lock 6 = Transition plate DO30 7 = Adapter, Series CON-VP 8 = Mounting aid DO16, form C 9 = Mounting aid DO16, M12 10 = Adapter for external pilot air 11 = Adapter pneumatic operation 12 = Sealing ring 13 = Reducing nipple