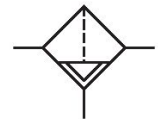


Series AS5

The AVENTICS Series AS5 is a modular, versatile maintenance unit for universal application. This Series offers compact dimensions, is highly efficient, lightweight and easy-to-use. The AVENTICS Series AS guarantees reliability, safety, and efficiency with a simplified assembly and maintenance efforts.



Technical data

Industry	Industrial
Parts	Microfilter
Reservoir	reservoir, metal, with inspection glass
Port	G 1
Filter porosity	0.01 μm
Nominal flow Qn	1600 l/min
Condensate drain	semi-automatic, open without pressure
Min. working pressure	0 bar
Max. working pressure	16 bar
Min. ambient temperature	-10 $^{\circ}\text{C}$
Max. ambient temperature	50 $^{\circ}\text{C}$
Medium	Compressed air Neutral gases
Max. achievable compressed air class acc. to ISO 8573-1:2010	1 : - : 2
Filter reservoir volume	87 cm^3
Filter element	exchangeable
Recommended pre-filtering	0.3 μm
Weight	1.48 kg
contamination display	integrated

Microfilter, Series AS5-FLC

2024-03-20

R412009069

inspection glass	with window
Mounting orientation	vertical
Type	Can be assembled into blocks

Material

Housing material	Polyamide
Material front plate	Acrylonitrile butadiene styrene
Seal material	Acrylonitrile butadiene rubber
Material threaded bushing	Die cast zinc
Material reservoir	Die cast zinc
Material filter insert	Borosilicate glass fiber
Part No.	R412009069

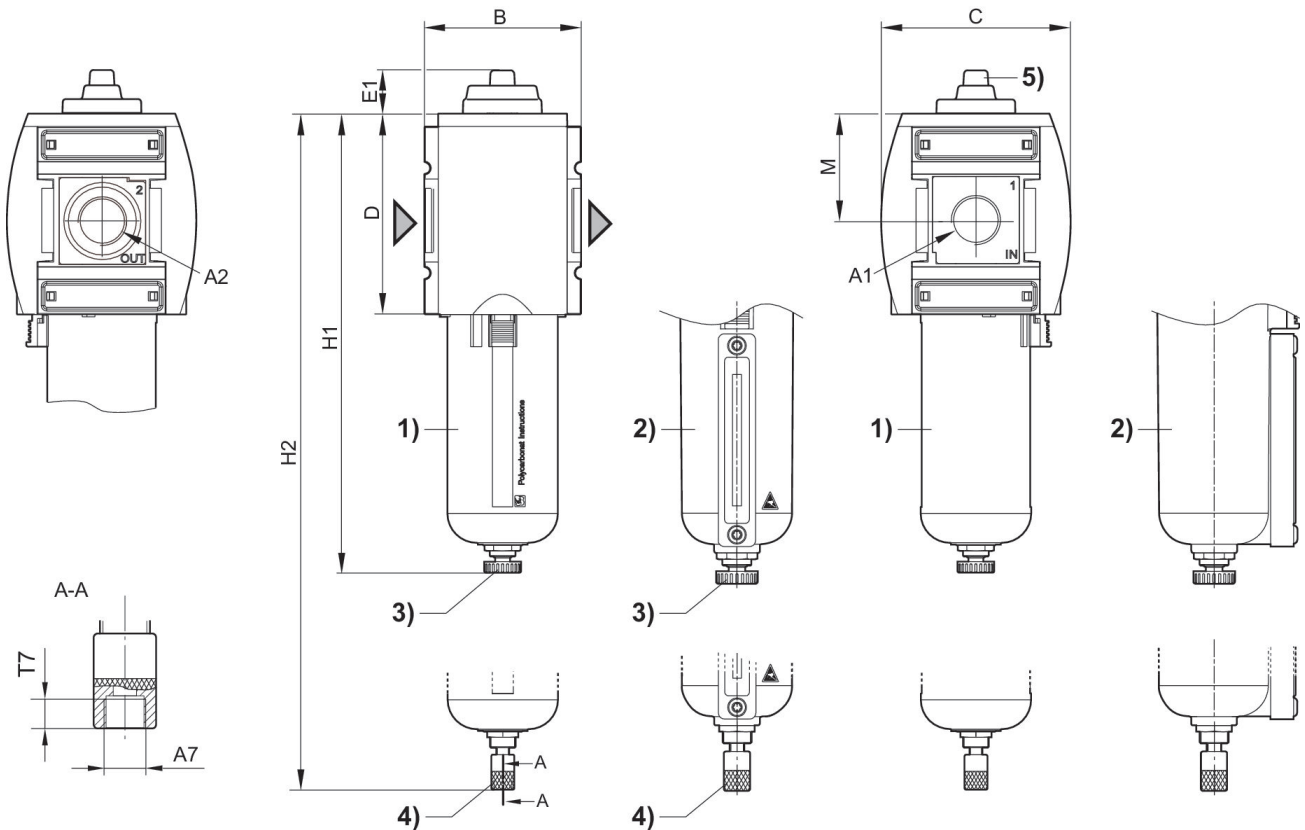
Technical information

The pressure dew point must be at least 15 °C less than ambient and medium temperature and may not exceed 3 °C.

Note: Polycarbonate reservoirs are susceptible to solvents, supplementary information can be found at "Customer information".

A change in the flow direction (from air supply on the left to air supply on the right) occurs by rotating installation by 180° about the vertical axis. Please see the operating instructions for further details.

Dimensions



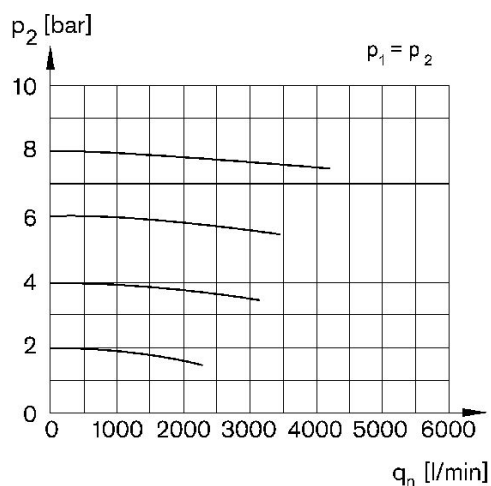
- A1 = input A2 = output
 A7 = condensate drain
 1) Plastic reservoir and protective guard with window
 2) Metal reservoir with level indicator
 3) Semi-automatic condensate drain
 4) Fully automatic condensate drain
 5) contamination display

Dimensions in mm

Part No.	A1	A2	A7	B	C	D	E1	H1	H2
R412009054	G 3/4	G 3/4	G 1/8	85	103	109	23.7	250	--
R412009055	G 3/4	G 3/4	--	85	103	109	23.7	--	266
R412009056	G 3/4	G 3/4	--	85	103	109	23.7	--	266
R412009063	G 1	G 1	G 1/8	85	103	109	23.7	250	--
R412009064	G 1	G 1	--	85	103	109	23.7	--	266
R412009065	G 1	G 1	--	85	103	109	23.7	--	266
R412009060	G 3/4	G 3/4	G 1/8	85	103	109	23.7	250	--
R412009061	G 3/4	G 3/4	--	85	103	109	23.7	--	266
R412009062	G 3/4	G 3/4	--	85	103	109	23.7	--	266
R412009069	G 1	G 1	G 1/8	85	103	109	23.7	250	--
R412009070	G 1	G 1	--	85	103	109	23.7	--	266
R412009071	G 1	G 1	--	85	103	109	23.7	--	266

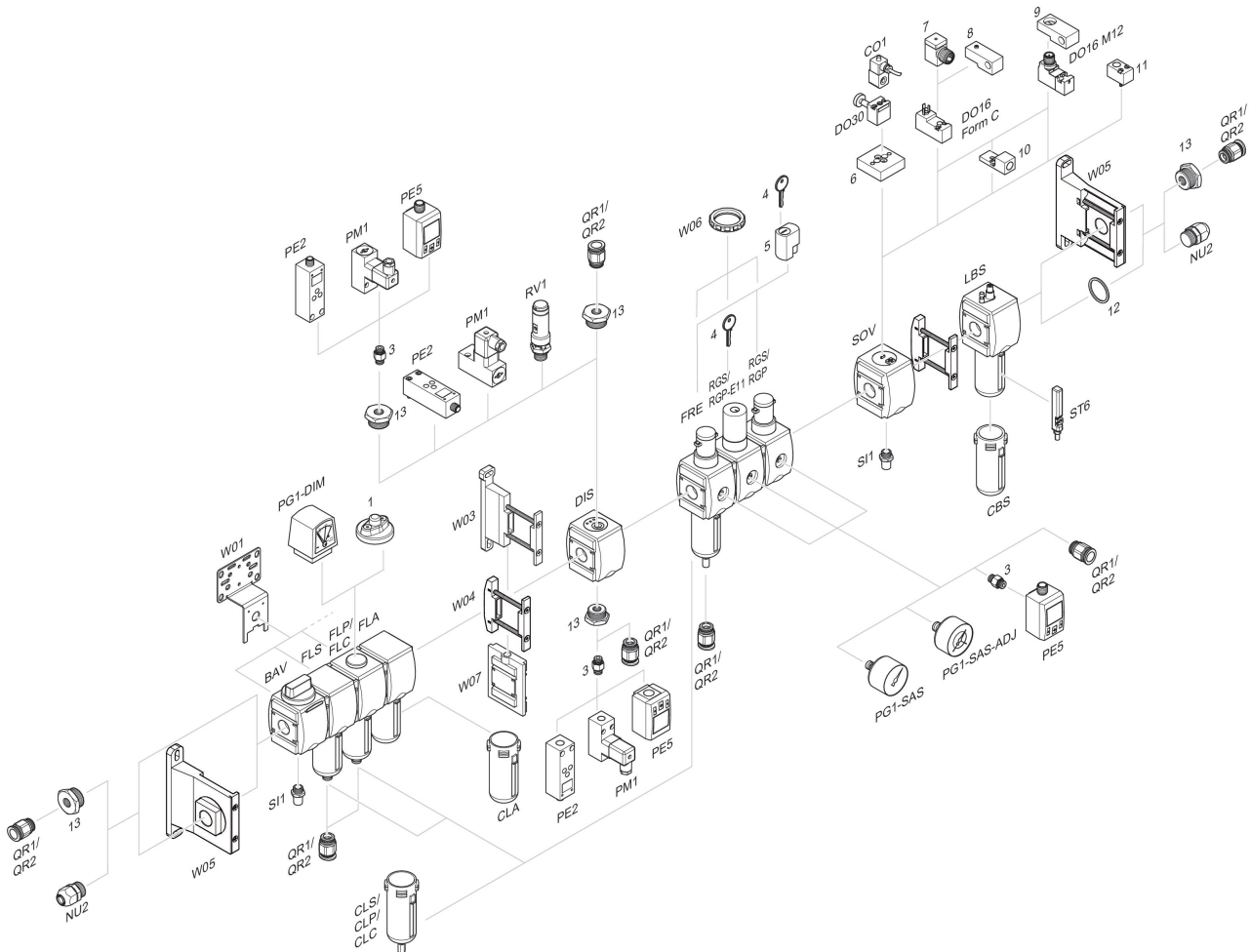
Part No.	M	T7
R412009054	58	8.5
R412009055	58	--
R412009056	58	--
R412009063	58	8.5
R412009064	58	--
R412009065	58	--
R412009060	58	8.5
R412009061	58	--
R412009062	58	--
R412009069	58	8.5
R412009070	58	--
R412009071	58	--

Flow rate characteristic, $p_2 = 0,05 - 7$ bar



p_1 = Working pressure p_2 = Secondary pressure q_n = Nominal flow

Accessories overview



1 = contamination display 3 = Double nipple 4 = Key for E11 locking 5 = mortise lock 6 = Transition plate DO30 7 = Adapter, Series CON-VP 8 = Mounting aid DO16, form C 9 = Mounting aid DO16, M12 10 = Adapter for external pilot air 11 = Adapter pneumatic operation 12 = Sealing ring 13 = Reducing nipple