

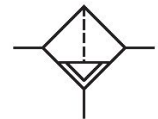
Pre-filter, Series AS5-FLP

2024-03-20

R412009023

Series AS5

The AVENTICS Series AS5 is a modular, versatile maintenance unit for universal application. This Series offers compact dimensions, is highly efficient, lightweight and easy-to-use. The AVENTICS Series AS guarantees reliability, safety, and efficiency with a simplified assembly and maintenance efforts.



Technical data

Industry	Industrial
Parts	Pre-filter
Reservoir	reservoir, polycarbonate, with PA protective guard
Port	G 3/4
Filter porosity	0.3 μm
Nominal flow Qn	2200 l/min
Condensate drain	fully automatic, closed without pressure
Min. working pressure	1.5 bar
Max. working pressure	16 bar
Min. ambient temperature	-10 °C
Max. ambient temperature	50 °C
Medium	Compressed air Neutral gases
Max. achievable compressed air class acc. to ISO 8573-1:2010	2 : - : 3
Filter reservoir volume	87 cm ³
Filter element	exchangeable
Recommended pre-filtering	5 μm
Weight	0.41 kg

Pre-filter, Series AS5-FLP

2024-03-20

R412009023

contamination display	integrated
Mounting orientation	vertical
Type	Can be assembled into blocks

Material

Housing material	Polyamide
Material front plate	Acrylonitrile butadiene styrene
Seal material	Acrylonitrile butadiene rubber
Material threaded bushing	Die cast zinc
Material reservoir	Polycarbonate
Material protective guard	Polyamide
Material filter insert	Impregnated paper
Part No.	R412009023

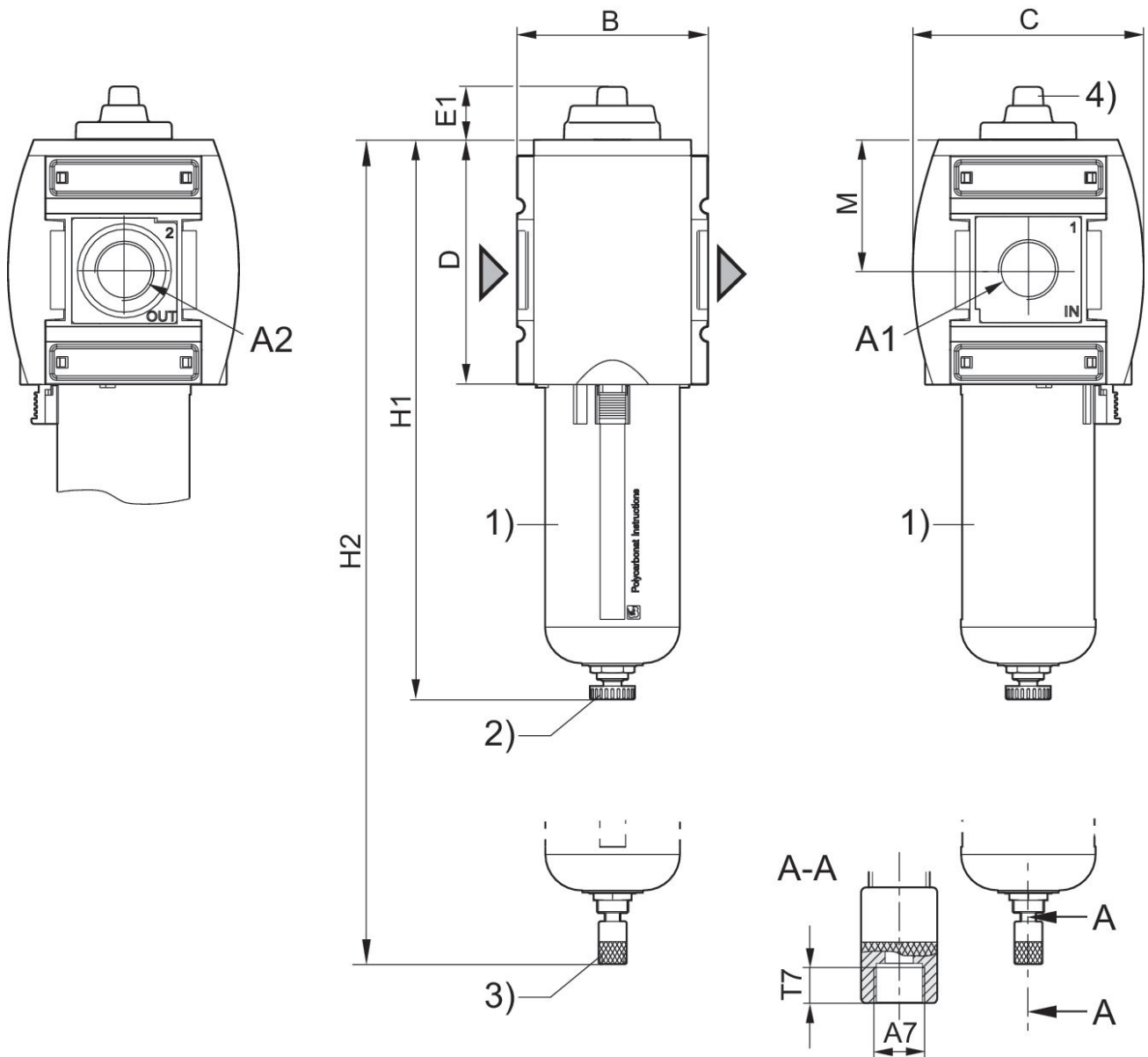
Technical information

The pressure dew point must be at least 15 °C less than ambient and medium temperature and may not exceed 3 °C.

Note: Polycarbonate reservoirs are susceptible to solvents, supplementary information can be found at "Customer information".

A change in the flow direction (from air supply on the left to air supply on the right) occurs by rotating installation by 180° about the vertical axis. Please see the operating instructions for further details.

Dimensions



A1 = input A2 = output
A7 = condensate drain

- 1) Plastic reservoir and protective guard with window
- 2) Semi-automatic condensate drain
- 3) Fully automatic condensate drain
- 4) contamination display

Dimensions in mm

Part No.	A1	A2	A7	B	C	D	E1	H1	H2
R412009021	G 3/4	G 3/4	G 1/8	85	103	109	23.7	250	266
R412009022	G 3/4	G 3/4	G 1/8	85	103	109	23.7	250	266
R412009023	G 3/4	G 3/4	G 1/8	85	103	109	23.7	250	266
R412009030	G 1	G 1	G 1/8	85	103	109	23.7	250	266

Pre-filter, Series AS5-FLP

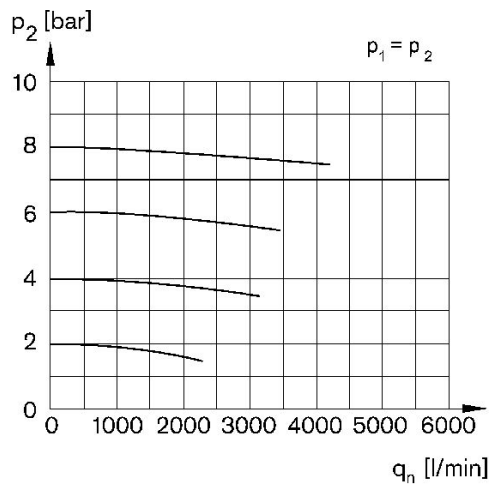
2024-03-20

R412009023

Part No.	A1	A2	A7	B	C	D	E1	H1	H2
R412009031	G 1	G 1	G 1/8	85	103	109	23.7	250	266
R412009032	G 1	G 1	G 1/8	85	103	109	23.7	250	266

Part No.	M	T7
R412009021	58	8.5
R412009022	58	8.5
R412009023	58	8.5
R412009030	58	8.5
R412009031	58	8.5
R412009032	58	8.5

Flow rate characteristic, $p_2 = 0,05 - 7$ bar



p_1 = Working pressure p_2 = Secondary pressure q_n = Nominal flow

