

## Series AS5

The AVENTICS Series AS5 is a modular, versatile maintenance unit for universal application. This Series offers compact dimensions, is highly efficient, lightweight and easy-to-use. The AVENTICS Series AS guarantees reliability, safety, and efficiency with a simplified assembly and maintenance efforts.



## Technical data

|  |                                       |
|--|---------------------------------------|
| Industry   | Industrial                            |
| Parts  | Filter                                |
| Reservoir  | Metal reservoir without window        |
| Port   | G 3/4                                 |
| Filter porosity  | 25 µm                                 |
| Nominal flow Qn  | 7800 l/min                            |
| Condensate drain   | semi-automatic, open without pressure |
| Min. working pressure  | 1.5 bar                               |
| Max. working pressure  | 16 bar                                |
| Min. ambient temperature                                     | -10 °C                                |
| Max. ambient temperature                                     | 50 °C                                 |
| Medium   | Compressed air<br>Neutral gases       |
| Max. achievable compressed air class acc. to ISO 8573-1:2010 | 7 : 7 : -                             |
| Filter reservoir volume                                      | 87 cm <sup>3</sup>                    |
| Filter element   | exchangeable                          |
| Weight   | 1.21 kg                               |
| Mounting orientation   | vertical                              |
| Type   | Can be assembled into blocks          |

## Material

|                           |                                 |
|---------------------------|---------------------------------|
| Housing material          | Polyamide                       |
| Material front plate      | Acrylonitrile butadiene styrene |
| Seal material             | Acrylonitrile butadiene rubber  |
| Material threaded bushing | Die cast zinc                   |
| Material reservoir        | Die cast zinc                   |
| Material filter insert    | Polyethylene                    |
| Part No.                  | R412009089                      |

## Technical information

The pressure dew point must be at least 15 °C less than ambient and medium temperature and may not exceed 3 °C.

Note: Polycarbonate reservoirs are susceptible to solvents, supplementary information can be found at "Customer information".

A change in the flow direction (from air supply on the left to air supply on the right) occurs by rotating installation by 180° about the vertical axis. Please see the operating instructions for further details.

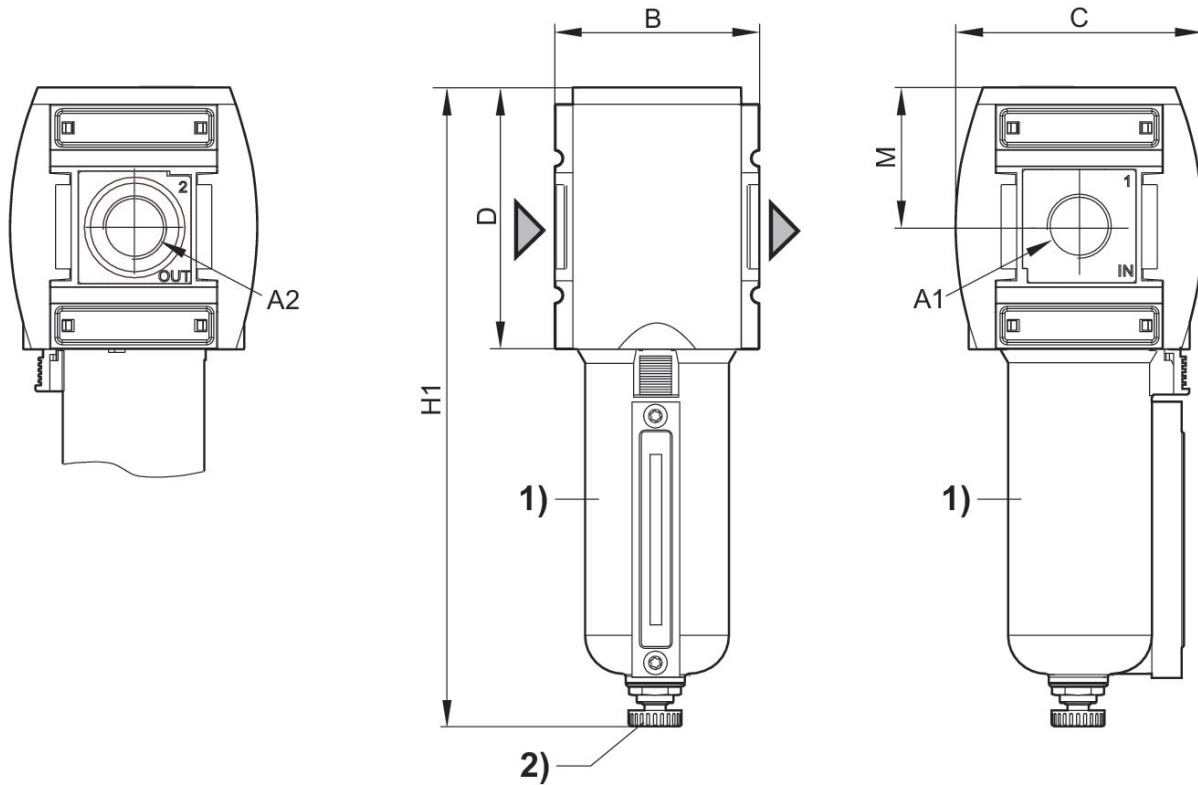
Also suitable for separation of fluid oil or water due to the design.

# Filter, Series AS5-FLS

2024-03-20

R412009089

## Dimensions



- A1 = input A2 = output
- 1) Metal reservoir with level indicator
- 2) Semi-automatic condensate drain

## Dimensions in mm

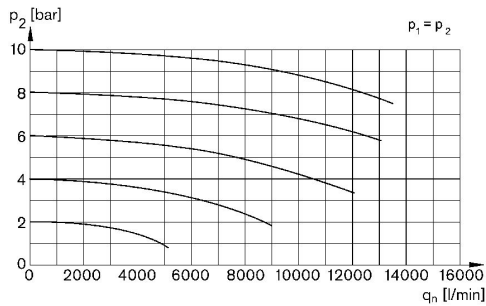
| Part No.   | A1    | A2    | B  | C   | D   | H1  | M  |
|------------|-------|-------|----|-----|-----|-----|----|
| R412009089 | G 3/4 | G 3/4 | 85 | 103 | 109 | 250 | 58 |
| R412009090 | G 1   | G 1   | 85 | 103 | 109 | 250 | 58 |

# Filter, Series AS5-FLS

2024-03-20

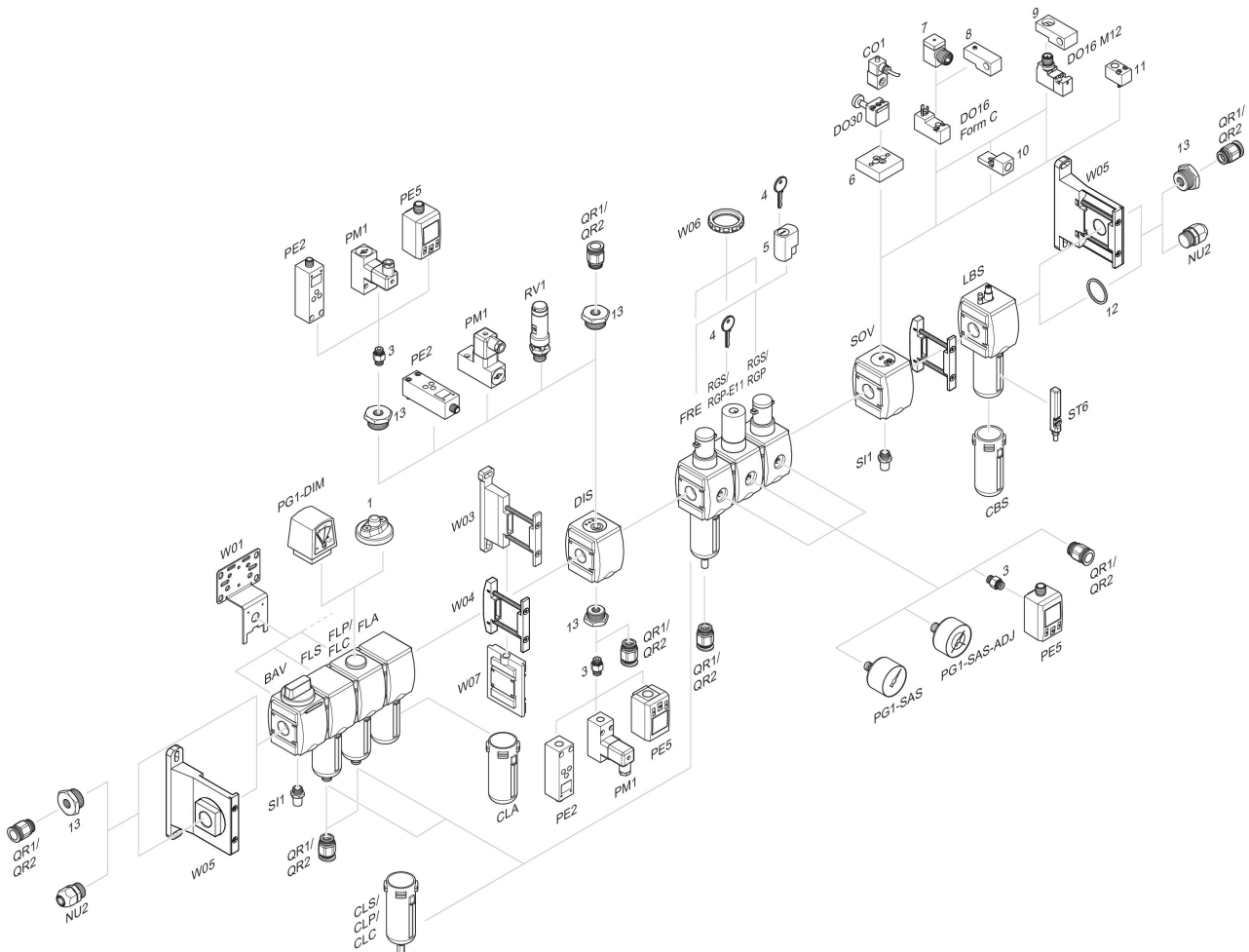
R412009089

Flow rate characteristic,  $p_2 = 0,05 - 7$  bar



$p_1$  = Working pressure  $p_2$  = Secondary pressure  $q_n$  = Nominal flow

## Accessories overview



1 = contamination display 3 = Double nipple 4 = Key for E11 locking 5 = mortise lock 6 = Transition plate DO30 7 = Adapter, Series CON-VP 8 = Mounting aid DO16, form C 9 = Mounting aid DO16, M12 10 = Adapter for external pilot air 11 = Adapter pneumatic operation 12 = Sealing ring 13 = Reducing nipple