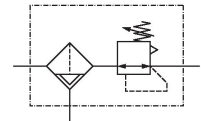


## AVENTICS Series AS5 Air Preparation Units

The AVENTICS Series AS5 is a modular, versatile maintenance unit for universal application. This Series offers compact dimensions, is highly efficient, lightweight and easy-to-use. The AVENTICS Series AS guarantees reliability, safety, and efficiency with a simplified assembly and maintenance efforts.



## Technical data

Industry	Industrial
Parts	Filter pressure regulator
Reservoir	reservoir, polycarbonate, with PA protective guard
Port	G 3/4
Nominal flow Qn	13000 l/min
Filter porosity	25 µm
Condensate drain	semi-automatic, open without pressure
Pressure gauge	without pressure gauge
Min. working pressure	1.5 bar
Max. working pressure	16 bar
Min. ambient temperature	-10 °C
Max. ambient temperature	50 °C
Min. regulation range	0.5 bar
Max. regulation range	8 bar
Lock type	for padlocks
Type	1-part
Type	Can be assembled into blocks
Pressure supply	single
Mounting orientation	vertical

# Filter pressure regulator, Series AS5-FRE

AS5

R412009188

2024-03-20

---

Regulator type	Diaphragm-type pressure regulator
Regulator function	with relieving air exhaust
Max. Internal air consumption	1.5 l/min
Filter element	exchangeable
Filter reservoir volume	87 cm <sup>3</sup>
Max. achievable compressed air class acc. to ISO 8573-1:2010	7 : 7 : -
Medium	Compressed air Neutral gases
Weight	1.57 kg

## Material

Housing material	Polyamide
Seal material	Acrylonitrile butadiene rubber
Material front plate	Acrylonitrile butadiene styrene
Material threaded bushing	Die cast zinc
Material reservoir	Die cast zinc
Material protective guard	Polyamide
Material filter insert	Polyethylene
Part No.	R412009188

## Technical information

The pressure dew point must be at least 15 °C less than ambient and medium temperature and may not exceed 3 °C.

Note: Polycarbonate reservoirs are susceptible to solvents, supplementary information can be found at "Customer information".

Nominal flow Qn with secondary pressure p2 = 6 bar at  $\Delta p = 1$  bar

A change in the flow direction (from air supply on the left to air supply on the right) occurs by rotating installation by 180° about the vertical axis. Please see the operating instructions for further details.

Also suitable for separation of fluid oil or water due to the design.

Order pressure gauge separately

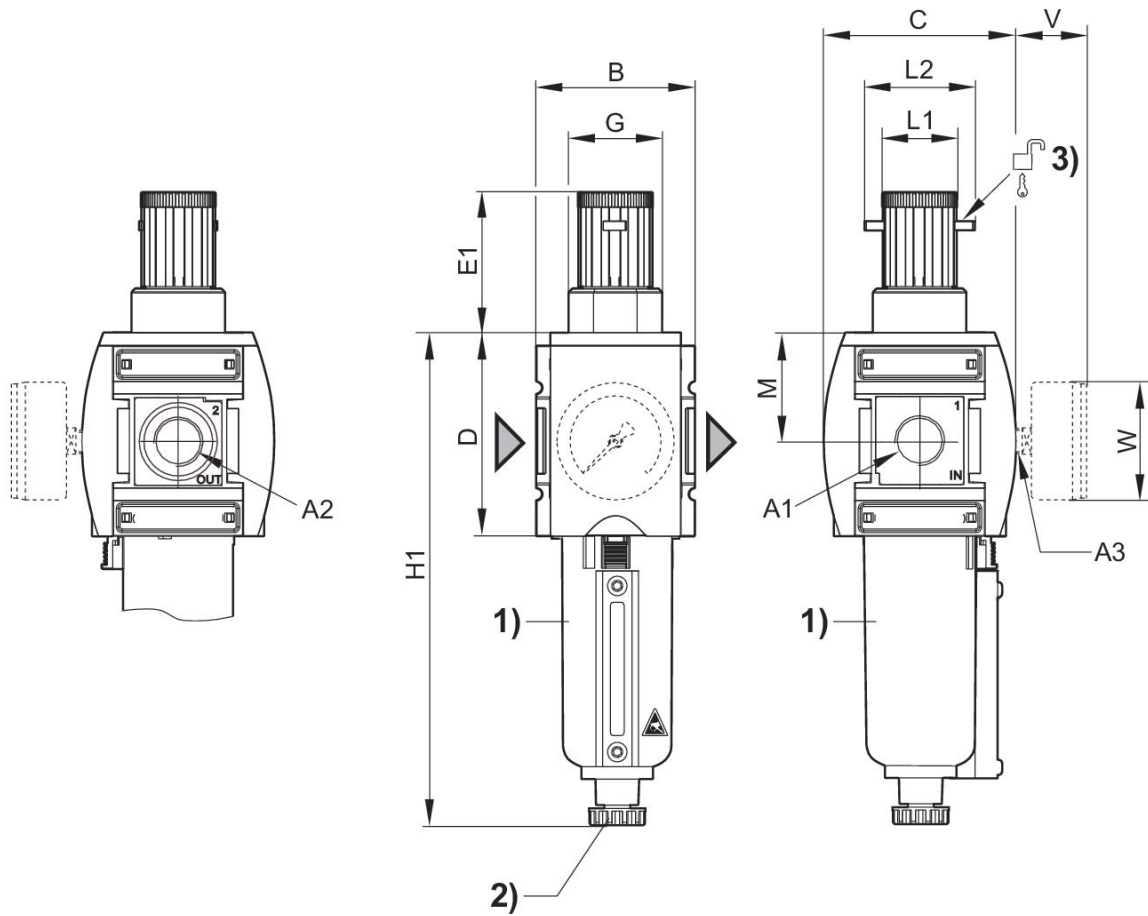
# Filter pressure regulator, Series AS5-FRE

AS5

R412009188

2024-03-20

## Dimensions



A1 = input A2 = output A3 = pressure gauge connection

1) Metal reservoir with level indicator

2) Semi-automatic condensate drain

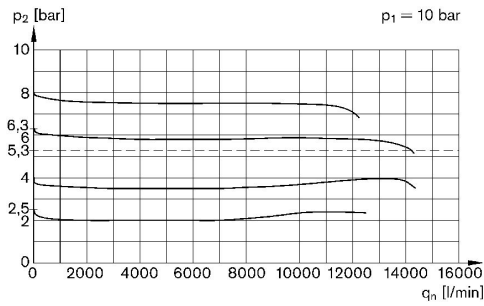
3) Mounting option for padlocks, max. shackle  $\varnothing$  8

## Dimensions in mm

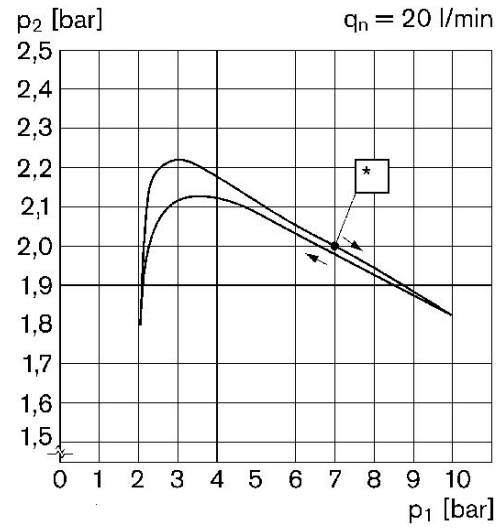
Part No.	A1	A2	A3	B	C	D	E1	G	H1
R412009188	G 3/4	G 3/4	G 1/4	85	103	109	75	M50x1,5	250
R412009189	G 1	G 1	G 1/4	85	103	109	75	M50x1,5	250

Part No.	L1	L2	M	V	W
R412009188	41	60	58	38	63
R412009189	41	60	58	38	63

## Flow rate characteristic (setting range p2: 0.5 - 8 bar)      Pressure characteristics curve

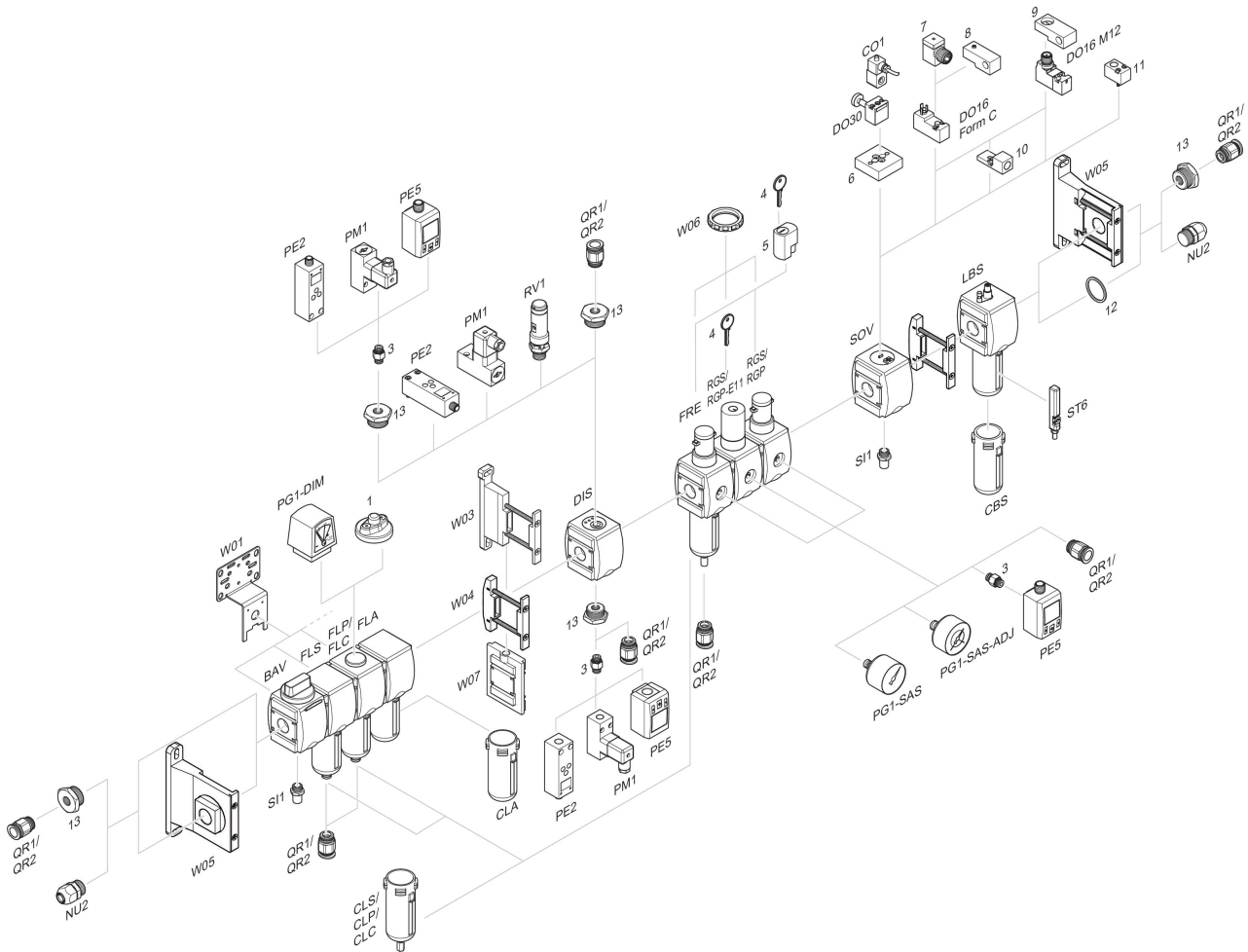


p1 = Working pressure  
 p2 = Secondary pressure  
 qn = Nominal flow



p1 = Working pressure  
 p2 = Secondary pressure  
 qn = Nominal flow  
 \* starting point

## Accessories overview



1 = contamination display 3 = Double nipple 4 = Key for E11 locking 5 = mortise lock 6 = Transition plate DO30 7 = Adapter, Series CON-VP 8 = Mounting aid DO16, form C 9 = Mounting aid DO16, M12 10 = Adapter for external pilot air 11 = Adapter pneumatic operation 12 = Sealing ring 13 = Reducing nipple