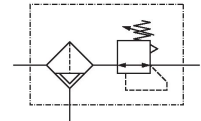


AVENTICS Series AS5 Air Preparation Units

The AVENTICS Series AS5 is a modular, versatile maintenance unit for universal application. This Series offers compact dimensions, is highly efficient, lightweight and easy-to-use. The AVENTICS Series AS guarantees reliability, safety, and efficiency with a simplified assembly and maintenance efforts.



Technical data

| | |
|--------------------------|--|
| Industry | Industrial |
| Parts | Filter pressure regulator |
| Reservoir | reservoir, polycarbonate, with PA protective guard |
| Port | G 3/4 |
| Nominal flow Qn | 14000 l/min |
| Filter porosity | 5 µm |
| Condensate drain | semi-automatic, open without pressure |
| Pressure gauge | without pressure gauge |
| Min. working pressure | 1.5 bar |
| Max. working pressure | 16 bar |
| Min. ambient temperature | -10 °C |
| Max. ambient temperature | 50 °C |
| Min. regulation range | 0.5 bar |
| Max. regulation range | 10 bar |
| Lock type | for padlocks |
| Type | 1-part |
| Type | Can be assembled into blocks |
| Pressure supply | single |
| Mounting orientation | vertical |

Filter pressure regulator, Series AS5-FRE

AS5

R412009193

2024-03-20

| | |
|--|-----------------------------------|
| Regulator type | Diaphragm-type pressure regulator |
| Regulator function | with relieving air exhaust |
| Max. Internal air consumption | 1.5 l/min |
| Filter element | exchangeable |
| Filter reservoir volume | 87 cm ³ |
| Max. achievable compressed air class acc. to ISO 8573-1:2010 | 6 : 7 : - |
| Medium | Compressed air Neutral gases |
| Weight | 0.99 kg |

Material

| | |
|---------------------------|---------------------------------|
| Housing material | Polyamide |
| Seal material | Acrylonitrile butadiene rubber |
| Material front plate | Acrylonitrile butadiene styrene |
| Material threaded bushing | Die cast zinc |
| Material reservoir | Polycarbonate |
| Material protective guard | Polyamide |
| Material filter insert | Polyethylene |
| Part No. | R412009193 |

Technical information

The pressure dew point must be at least 15 °C less than ambient and medium temperature and may not exceed 3 °C.

Note: Polycarbonate reservoirs are susceptible to solvents, supplementary information can be found at "Customer information".

Nominal flow Q_n with secondary pressure $p_2 = 6$ bar at $\Delta p = 1$ bar

A change in the flow direction (from air supply on the left to air supply on the right) occurs by rotating installation by 180° about the vertical axis. Please see the operating instructions for further details.

Also suitable for separation of fluid oil or water due to the design.

Order pressure gauge separately

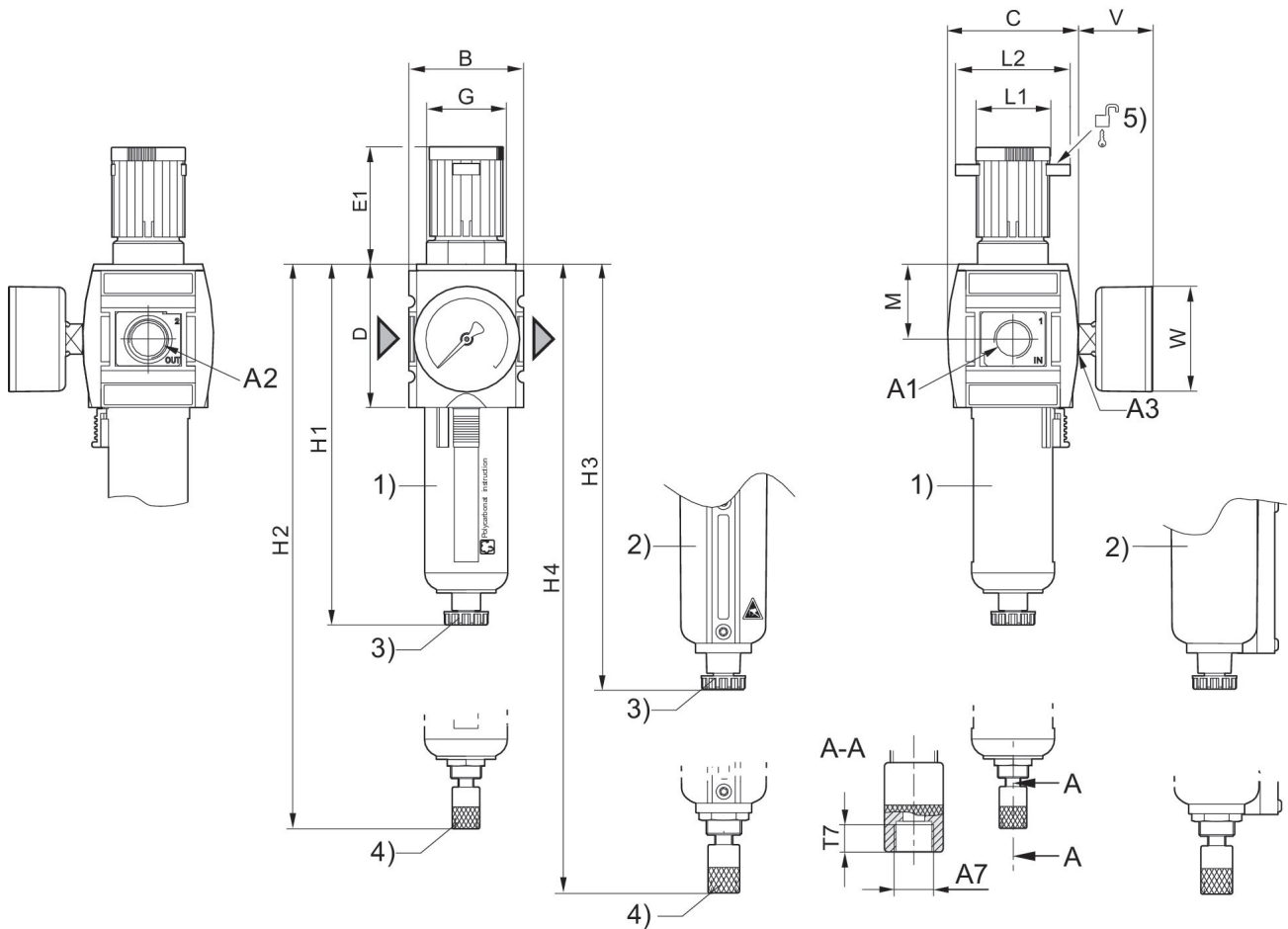
Filter pressure regulator, Series AS5-FRE

AS5

R412009193

2024-03-20

Dimensions



A1 = input A2 = output A3 = pressure gauge connection
A7 = condensate drain

- 1) Plastic reservoir and protective guard with window
- 2) Metal reservoir with level indicator
- 3) Semi-automatic condensate drain
- 4) Fully automatic condensate drain
- 5) Mounting option for padlocks, max. shackle \varnothing 8

Dimensions in mm

| Part No. | A1 | A2 | A3 | A7 | B | C | D | E1 | G |
|------------|-------|-------|-------|-------|----|-----|-----|----|---------|
| R412009200 | G 3/4 | G 3/4 | G 1/4 | G 1/8 | 85 | 103 | 109 | 75 | M50x1,5 |
| R412009201 | G 3/4 | G 3/4 | G 1/4 | G 1/8 | 85 | 103 | 109 | 75 | M50x1,5 |
| R412009202 | G 3/4 | G 3/4 | G 1/4 | G 1/8 | 85 | 103 | 109 | 75 | M50x1,5 |
| R412009206 | G 3/4 | G 3/4 | G 1/4 | G 1/8 | 85 | 103 | 109 | 75 | M50x1,5 |
| R412009207 | G 3/4 | G 3/4 | G 1/4 | G 1/8 | 85 | 103 | 109 | 75 | M50x1,5 |
| R412009208 | G 3/4 | G 3/4 | G 1/4 | G 1/8 | 85 | 103 | 109 | 75 | M50x1,5 |
| R412009209 | G 1 | G 1 | G 1/4 | G 1/8 | 85 | 103 | 109 | 75 | M50x1,5 |
| R412009210 | G 1 | G 1 | G 1/4 | G 1/8 | 85 | 103 | 109 | 75 | M50x1,5 |
| R412009211 | G 1 | G 1 | G 1/4 | G 1/8 | 85 | 103 | 109 | 75 | M50x1,5 |
| R412009215 | G 1 | G 1 | G 1/4 | G 1/8 | 85 | 103 | 109 | 75 | M50x1,5 |
| R412009216 | G 1 | G 1 | G 1/4 | G 1/8 | 85 | 103 | 109 | 75 | M50x1,5 |

Filter pressure regulator, Series AS5-FRE

AS5

R412009193

2024-03-20

| Part No. | A1 | A2 | A3 | A7 | B | C | D | E1 | G |
|------------|-------|-------|-------|-------|----|-----|-----|----|---------|
| R412009217 | G 1 | G 1 | G 1/4 | G 1/8 | 85 | 103 | 109 | 75 | M50x1,5 |
| R412009175 | G 3/4 | G 3/4 | G 1/4 | G 1/8 | 85 | 103 | 109 | 75 | M50x1,5 |
| R412009176 | G 3/4 | G 3/4 | G 1/4 | G 1/8 | 85 | 103 | 109 | 75 | M50x1,5 |
| R412009177 | G 3/4 | G 3/4 | G 1/4 | G 1/8 | 85 | 103 | 109 | 75 | M50x1,5 |
| R412009193 | G 3/4 | G 3/4 | G 1/4 | G 1/8 | 85 | 103 | 109 | 75 | M50x1,5 |
| R412009194 | G 3/4 | G 3/4 | G 1/4 | G 1/8 | 85 | 103 | 109 | 75 | M50x1,5 |
| R412009195 | G 3/4 | G 3/4 | G 1/4 | G 1/8 | 85 | 103 | 109 | 75 | M50x1,5 |
| R412009181 | G 3/4 | G 3/4 | G 1/4 | G 1/8 | 85 | 103 | 109 | 75 | M50x1,5 |
| R412009182 | G 3/4 | G 3/4 | G 1/4 | G 1/8 | 85 | 103 | 109 | 75 | M50x1,5 |
| R412009183 | G 3/4 | G 3/4 | G 1/4 | G 1/8 | 85 | 103 | 109 | 75 | M50x1,5 |
| R412009184 | G 1 | G 1 | G 1/4 | G 1/8 | 85 | 103 | 109 | 75 | M50x1,5 |
| R412009185 | G 1 | G 1 | G 1/4 | G 1/8 | 85 | 103 | 109 | 75 | M50x1,5 |
| R412009186 | G 1 | G 1 | G 1/4 | G 1/8 | 85 | 103 | 109 | 75 | M50x1,5 |
| R412009192 | G 1 | G 1 | G 1/4 | G 1/8 | 85 | 103 | 109 | 75 | M50x1,5 |
| R412009191 | G 1 | G 1 | G 1/4 | G 1/8 | 85 | 103 | 109 | 75 | M50x1,5 |
| R412009190 | G 1 | G 1 | G 1/4 | G 1/8 | 85 | 103 | 109 | 75 | M50x1,5 |
| R412009196 | G 1 | G 1 | G 1/4 | G 1/8 | 85 | 103 | 109 | 75 | M50x1,5 |
| R412009197 | G 1 | G 1 | G 1/4 | G 1/8 | 85 | 103 | 109 | 75 | M50x1,5 |
| R412009198 | G 1 | G 1 | G 1/4 | G 1/8 | 85 | 103 | 109 | 75 | M50x1,5 |

| Part No. | H1 | H2 | H3 | H4 | L1 | L2 | M | T7 | V |
|------------|-----|-----|-------|-------|----|----|----|-----|----|
| R412009200 | 250 | 206 | 193.5 | 210.5 | 41 | 60 | 58 | 8.5 | 38 |
| R412009201 | 250 | 206 | 193.5 | 210.5 | 41 | 60 | 58 | 8.5 | 38 |
| R412009202 | 250 | 206 | 193.5 | 210.5 | 41 | 60 | 58 | 8.5 | 38 |
| R412009206 | 250 | 206 | 193.5 | 210.5 | 41 | 60 | 58 | 8.5 | 38 |
| R412009207 | 250 | 206 | 193.5 | 210.5 | 41 | 60 | 58 | 8.5 | 38 |
| R412009208 | 250 | 206 | 193.5 | 210.5 | 41 | 60 | 58 | 8.5 | 38 |
| R412009209 | 250 | 206 | 193.5 | 210.5 | 41 | 60 | 58 | 8.5 | 38 |
| R412009210 | 250 | 206 | 193.5 | 210.5 | 41 | 60 | 58 | 8.5 | 38 |
| R412009211 | 250 | 206 | 193.5 | 210.5 | 41 | 60 | 58 | 8.5 | 38 |
| R412009215 | 250 | 206 | 193.5 | 210.5 | 41 | 60 | 58 | 8.5 | 38 |
| R412009216 | 250 | 206 | 193.5 | 210.5 | 41 | 60 | 58 | 8.5 | 38 |
| R412009217 | 250 | 206 | 193.5 | 210.5 | 41 | 60 | 58 | 8.5 | 38 |
| R412009175 | 250 | 206 | 193.5 | 210.5 | 41 | 60 | 58 | 8.5 | 38 |
| R412009176 | 250 | 206 | 193.5 | 210.5 | 41 | 60 | 58 | 8.5 | 38 |
| R412009177 | 250 | 206 | 193.5 | 210.5 | 41 | 60 | 58 | 8.5 | 38 |
| R412009193 | 250 | 206 | 193.5 | 210.5 | 41 | 60 | 58 | 8.5 | 38 |
| R412009194 | 250 | 206 | 193.5 | 210.5 | 41 | 60 | 58 | 8.5 | 38 |
| R412009195 | 250 | 206 | 193.5 | 210.5 | 41 | 60 | 58 | 8.5 | 38 |
| R412009181 | 250 | 206 | 193.5 | 210.5 | 41 | 60 | 58 | 8.5 | 38 |
| R412009182 | 250 | 206 | 193.5 | 210.5 | 41 | 60 | 58 | 8.5 | 38 |
| R412009183 | 250 | 206 | 193.5 | 210.5 | 41 | 60 | 58 | 8.5 | 38 |
| R412009184 | 250 | 206 | 193.5 | 210.5 | 41 | 60 | 58 | 8.5 | 38 |
| R412009185 | 250 | 206 | 193.5 | 210.5 | 41 | 60 | 58 | 8.5 | 38 |
| R412009186 | 250 | 206 | 193.5 | 210.5 | 41 | 60 | 58 | 8.5 | 38 |
| R412009192 | 250 | 206 | 193.5 | 210.5 | 41 | 60 | 58 | 8.5 | 38 |
| R412009191 | 250 | 206 | 193.5 | 210.5 | 41 | 60 | 58 | 8.5 | 38 |

Filter pressure regulator, Series AS5-FRE

AS5

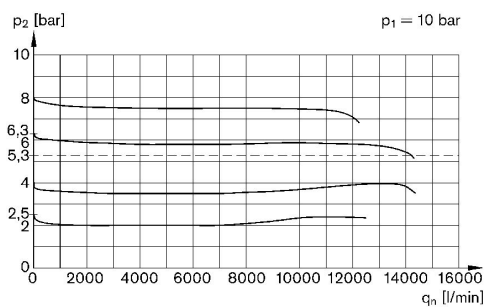
R412009193

2024-03-20

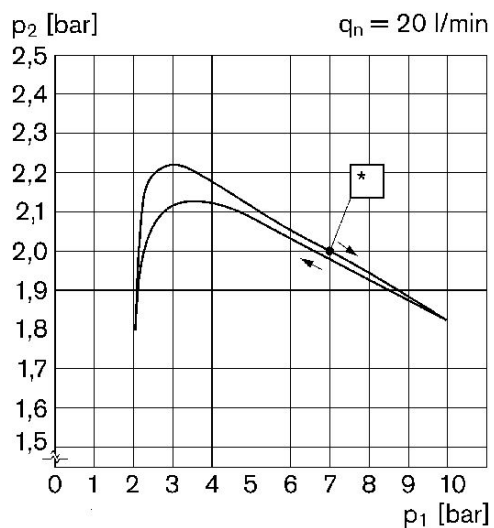
| Part No. | H1 | H2 | H3 | H4 | L1 | L2 | M | T7 | V |
|------------|-----|-----|-------|-------|----|----|----|-----|----|
| R412009190 | 250 | 206 | 193.5 | 210.5 | 41 | 60 | 58 | 8.5 | 38 |
| R412009196 | 250 | 206 | 193.5 | 210.5 | 41 | 60 | 58 | 8.5 | 38 |
| R412009197 | 250 | 206 | 193.5 | 210.5 | 41 | 60 | 58 | 8.5 | 38 |
| R412009198 | 250 | 206 | 193.5 | 210.5 | 41 | 60 | 58 | 8.5 | 38 |

| Part No. | W |
|------------|----|
| R412009200 | 63 |
| R412009201 | 63 |
| R412009202 | 63 |
| R412009206 | 63 |
| R412009207 | 63 |
| R412009208 | 63 |
| R412009209 | 63 |
| R412009210 | 63 |
| R412009211 | 63 |
| R412009215 | 63 |
| R412009216 | 63 |
| R412009217 | 63 |
| R412009175 | 63 |
| R412009176 | 63 |
| R412009177 | 63 |
| R412009193 | 63 |
| R412009194 | 63 |
| R412009195 | 63 |
| R412009181 | 63 |
| R412009182 | 63 |
| R412009183 | 63 |
| R412009184 | 63 |
| R412009185 | 63 |
| R412009186 | 63 |
| R412009192 | 63 |
| R412009191 | 63 |
| R412009190 | 63 |
| R412009196 | 63 |
| R412009197 | 63 |
| R412009198 | 63 |

Flow rate characteristic (setting range p2: 0.5 - 8 bar) Pressure characteristics curve



p1 = Working pressure
 p2 = Secondary pressure
 qn = Nominal flow



p1 = Working pressure
 p2 = Secondary pressure
 qn = Nominal flow
 * starting point

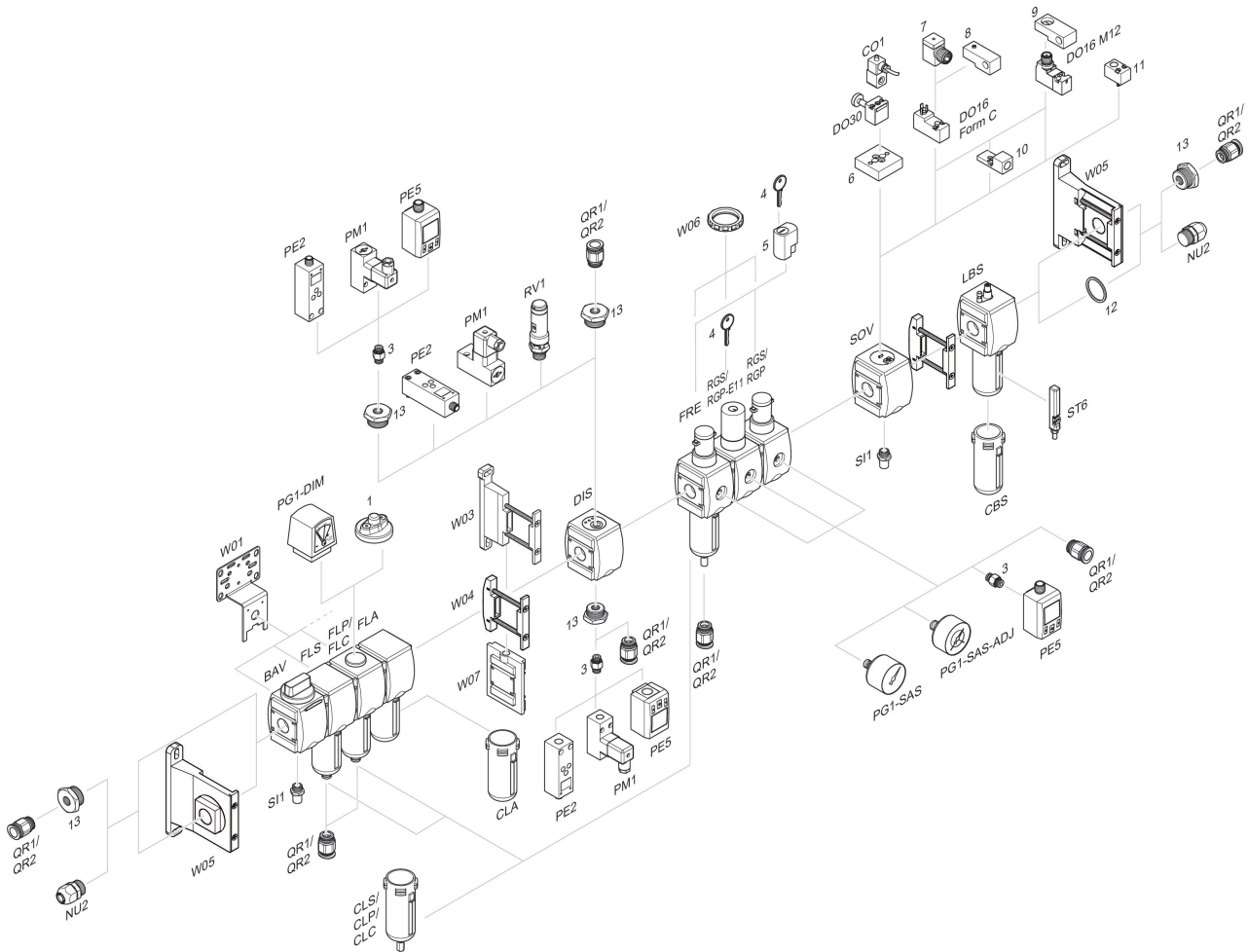
Filter pressure regulator, Series AS5-FRE

AS5

R412009193

2024-03-20

Accessories overview



1 = contamination display 3 = Double nipple 4 = Key for E11 locking 5 = mortise lock 6 = Transition plate DO30 7 = Adapter, Series CON-VP 8 = Mounting aid DO16, form C 9 = Mounting aid DO16, M12 10 = Adapter for external pilot air 11 = Adapter pneumatic operation 12 = Sealing ring 13 = Reducing nipple