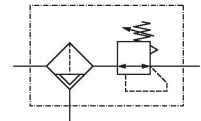


AVENTICS Series AS5 Air Preparation Units

The AVENTICS Series AS5 is a modular, versatile maintenance unit for universal application. This Series offers compact dimensions, is highly efficient, lightweight and easy-to-use. The AVENTICS Series AS guarantees reliability, safety, and efficiency with a simplified assembly and maintenance efforts.



Technical data

Industry	Industrial
Parts	Filter pressure regulator
Reservoir	reservoir, polycarbonate, with PA protective guard
Port	G 3/4
Nominal flow Qn	14000 l/min
Filter porosity	40 µm
Condensate drain	semi-automatic, open without pressure
Pressure gauge	without pressure gauge
Min. working pressure	1.5 bar
Max. working pressure	16 bar
Min. ambient temperature	-10 °C
Max. ambient temperature	50 °C
Min. regulation range	0.5 bar
Max. regulation range	10 bar
Lock type	for padlocks
Type	1-part
Type	Can be assembled into blocks
Pressure supply	single
Mounting orientation	vertical

Filter pressure regulator, Series AS5-FRE

AS5

R412009218

2024-03-20

Regulator type	Diaphragm-type pressure regulator
Regulator function	with relieving air exhaust
Max. Internal air consumption	1.5 l/min
Filter element	exchangeable
Filter reservoir volume	87 cm ³
Max. achievable compressed air class acc. to ISO 8573-1:2010	7 : 7 : -
Medium	Compressed air Neutral gases
Weight	0.99 kg

Material

Housing material	Polyamide
Seal material	Acrylonitrile butadiene rubber
Material front plate	Acrylonitrile butadiene styrene
Material threaded bushing	Die cast zinc
Material reservoir	Polycarbonate
Material protective guard	Polyamide
Material filter insert	Polyethylene
Part No.	R412009218

Technical information

The pressure dew point must be at least 15 °C less than ambient and medium temperature and may not exceed 3 °C.

Note: Polycarbonate reservoirs are susceptible to solvents, supplementary information can be found at "Customer information".

Nominal flow Q_n with secondary pressure $p_2 = 6$ bar at $\Delta p = 1$ bar

A change in the flow direction (from air supply on the left to air supply on the right) occurs by rotating installation by 180° about the vertical axis. Please see the operating instructions for further details.

Also suitable for separation of fluid oil or water due to the design.

Order pressure gauge separately

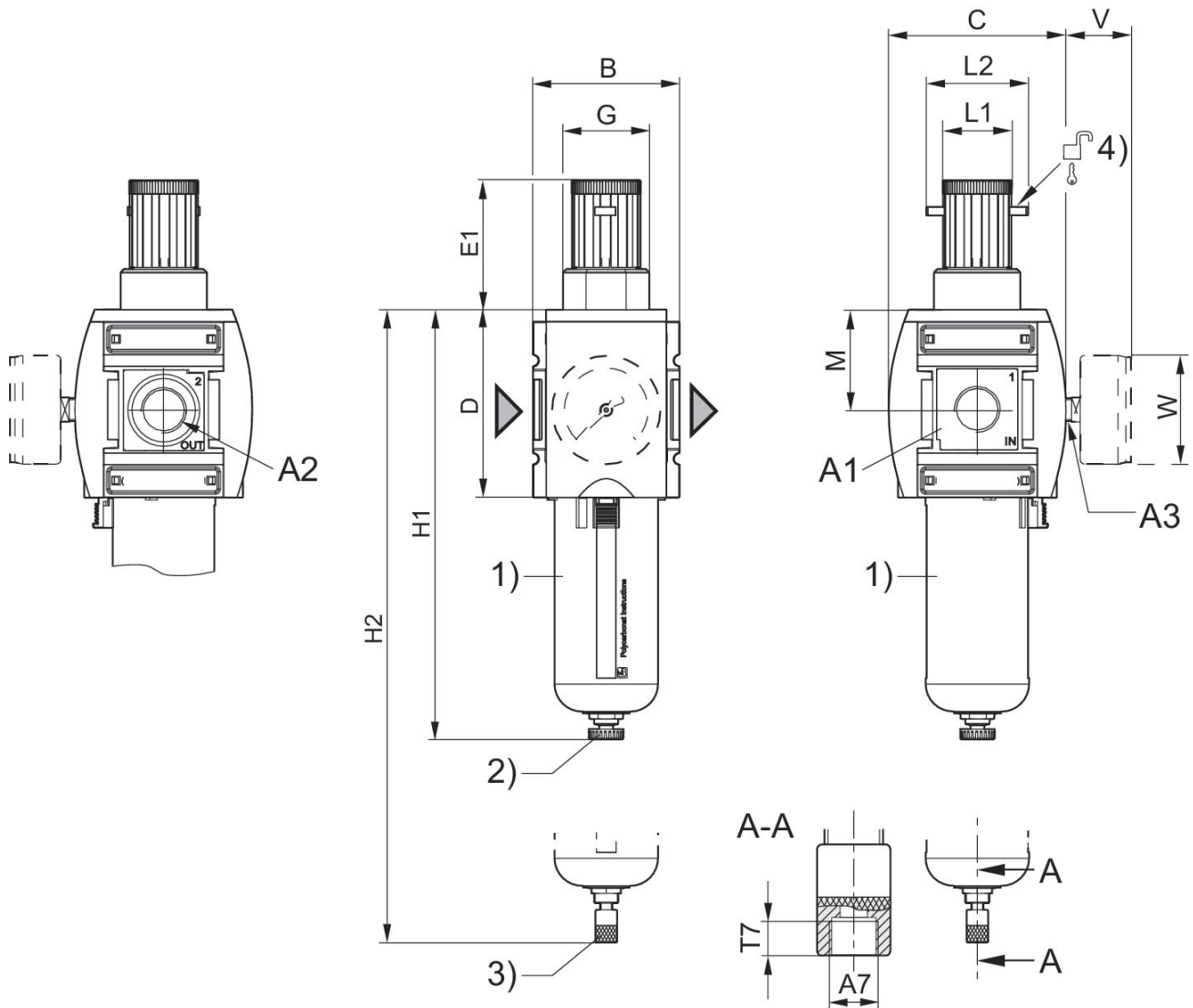
Filter pressure regulator, Series AS5-FRE

AS5

R412009218

2024-03-20

Dimensions



- A1 = input A2 = output A3 = pressure gauge connection
 A7 = condensate drain
 1) Plastic reservoir and protective guard with window
 2) Semi-automatic condensate drain
 3) Fully automatic condensate drain
 4) Mounting option for padlocks, max. shackle Ø 8

Dimensions in mm

Part No.	A1	A2	A3	A7	B	C	D	E1	G
R412009218	G 3/4	G 3/4	G 1/4	G 1/8	85	103	109	75	M50x1,5
R412009219	G 3/4	G 3/4	G 1/4	G 1/8	85	103	109	75	M50x1,5
R412009220	G 3/4	G 3/4	G 1/4	G 1/8	85	103	109	75	M50x1,5
R412009221	G 1	G 1	G 1/4	G 1/8	85	103	109	75	M50x1,5
R412009222	G 1	G 1	G 1/4	G 1/8	85	103	109	75	M50x1,5
R412009223	G 1	G 1	G 1/4	G 1/8	85	103	109	75	M50x1,5

Filter pressure regulator, Series AS5-FRE

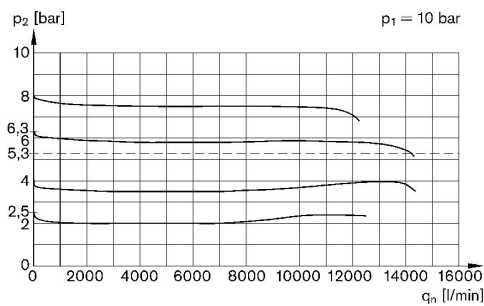
AS5

R412009218

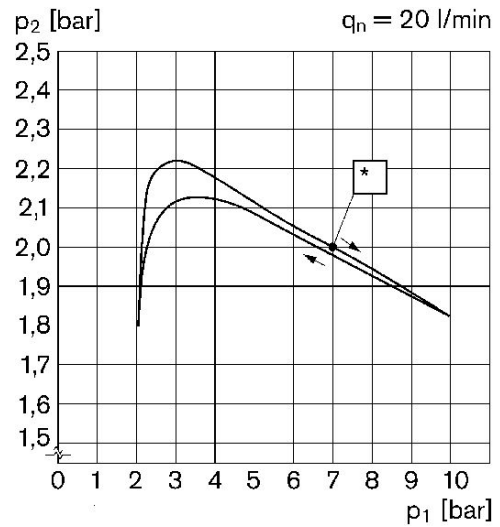
2024-03-20

Part No.	H1	H2	L1	L2	M	T7	V	W
R412009218	250	266	41	60	58	8.5	38	63
R412009219	250	266	41	60	58	8.5	38	63
R412009220	250	266	41	60	58	8.5	38	63
R412009221	250	266	41	60	58	8.5	38	63
R412009222	250	266	41	60	58	8.5	38	63
R412009223	250	266	41	60	58	8.5	38	63

Flow rate characteristic (setting range p2: 0.5 - 8 bar) Pressure characteristics curve

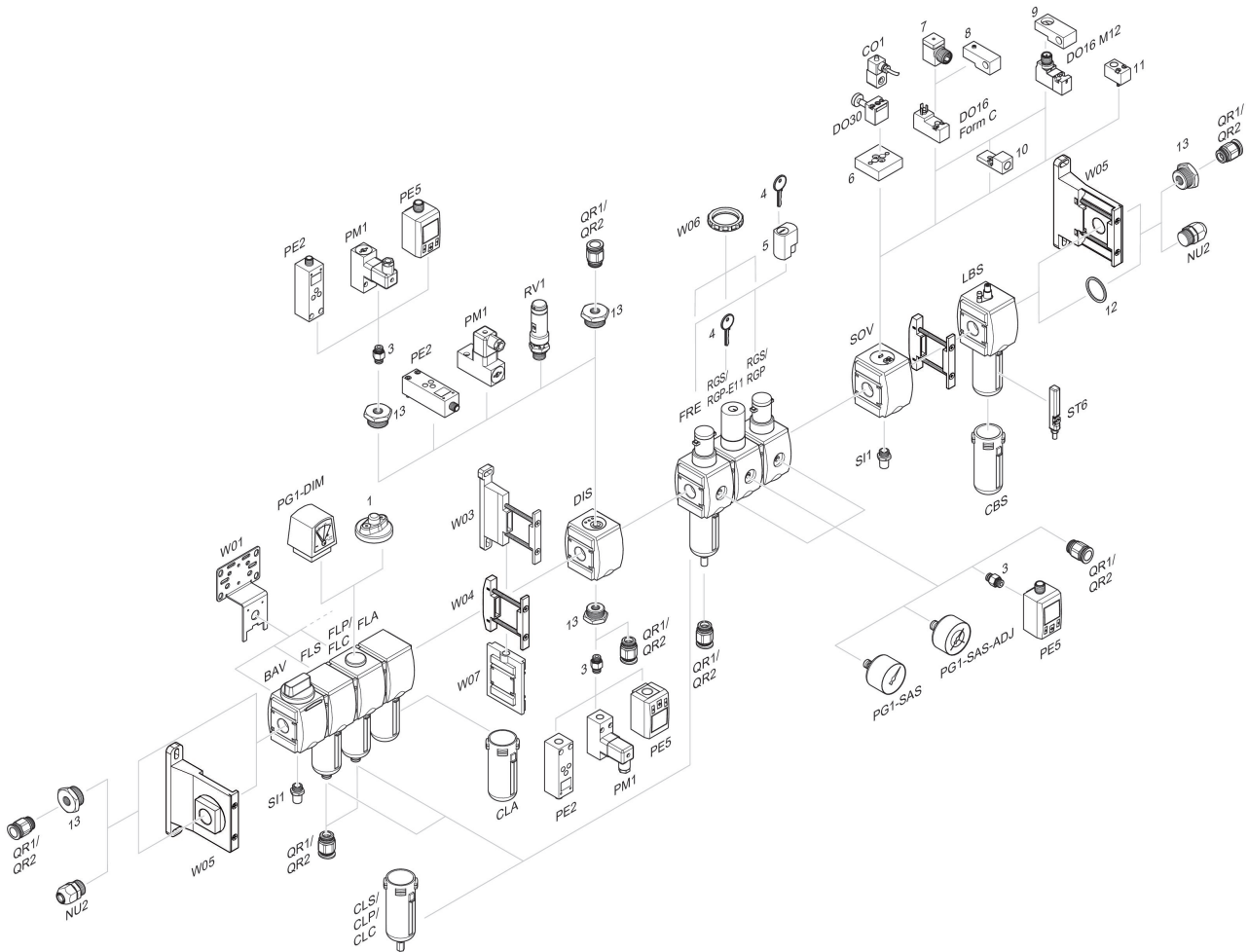


p1 = Working pressure
 p2 = Secondary pressure
 qn = Nominal flow



p1 = Working pressure
 p2 = Secondary pressure
 qn = Nominal flow
 * starting point

Accessories overview



1 = contamination display 3 = Double nipple 4 = Key for E11 locking 5 = mortise lock 6 = Transition plate DO30 7 = Adapter, Series CON-VP 8 = Mounting aid DO16, form C 9 = Mounting aid DO16, M12 10 = Adapter for external pilot air 11 = Adapter pneumatic operation 12 = Sealing ring 13 = Reducing nipple