

R412009113

Series AS5

The AVENTICS Series AS5 is a modular, versatile maintenance unit for universal application. This Series offers compact dimensions, is highly efficient, lightweight and easy-to-use. The AVENTICS Series AS guarantees reliability, safety, and efficiency with a simplified assembly and maintenance efforts.



Technical data

| | |
|-------------------------------------|-----------------------------------|
| Industry | Industrial |
| Function | Standard pressure regulator |
| Parts | Pressure regulator |
| Pressure gauge | with pressure gauge |
| Mounting orientation | Any |
| Regulator type | Diaphragm-type pressure regulator |
| Port | G 1 |
| Nominal flow Q_n | 14500 l/min |
| Min. regulation range | 0.1 bar |
| Max. regulation range | 1 bar |
| Min. working pressure | 0.1 bar |
| Max. working pressure | 16 bar |
| Min. ambient temperature | -10 °C |
| Max. ambient temperature | 50 °C |
| Activation | Mechanical |
| Regulator function | with relieving air exhaust |
| Regulator type | Can be assembled into blocks |
| Pressure supply | single |
| Lock type | for padlocks |
| Max. internal air consumption q_v | 1.5 l/min |
| Medium | Compressed air Neutral gases |
| Weight | 0.997 kg |

Pressure regulator, Series AS5-RGS

2024-03-20

R412009113

Material

| | |
|---------------------------|---------------------------------|
| Housing material | Polyamide |
| Material front plate | Acrylonitrile butadiene styrene |
| Seal material | Acrylonitrile butadiene rubber |
| Material threaded bushing | Die cast zinc |
| Part No. | R412009113 |

Technical information

The pressure dew point must be at least 15 °C less than ambient and medium temperature and may not exceed 3 °C.

Nominal flow Q_n with secondary pressure $p_2 = 6$ bar at $\Delta p = 1$ bar

The rear pressure gauge connection on the pressure regulator is closed with a blanking plug, the front connection is open. Depending on the customer application, a second blanking plug may be necessary. Please order separately (see accessories).

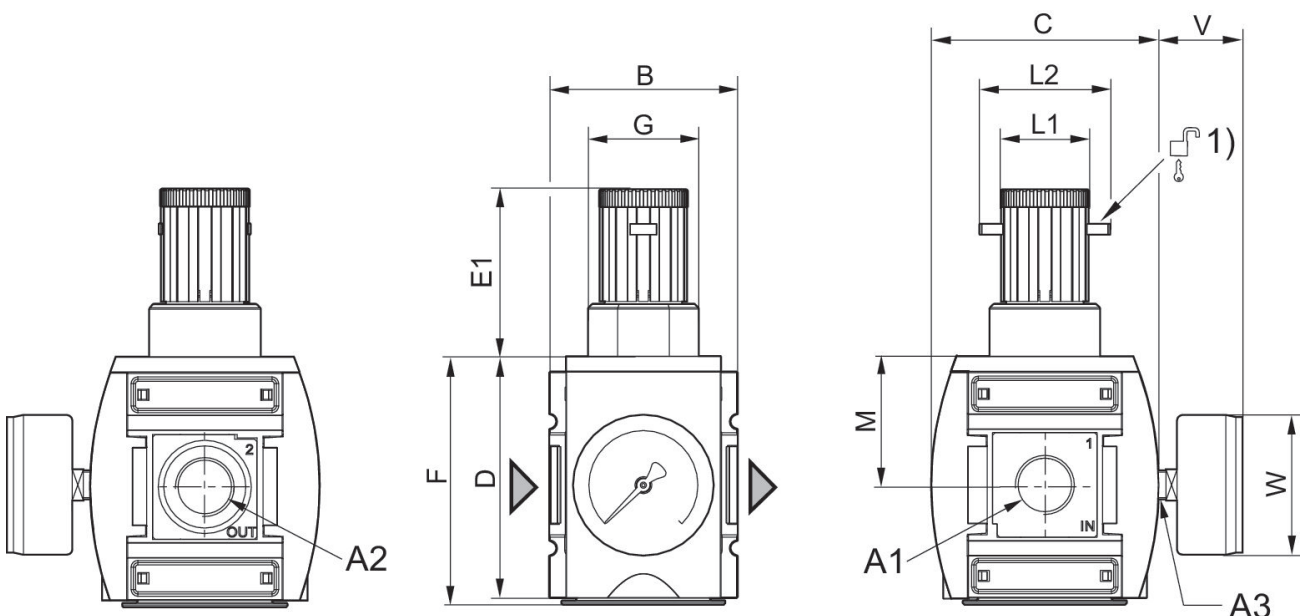
A change in the flow direction (from air supply on the left to air supply on the right) occurs by rotating installation by 180° about the vertical axis. Please see the operating instructions for further details.

Relieving exhaust (≤ 0.3 bar over set pressure)

With rear exhaust (>3 bar)

Pressure gauge enclosed separately

Dimensions



A1 = input A2 = output A3 = pressure gauge connection

1) Mounting option for padlocks, max. shackle $\varnothing 8$

Pressure regulator, Series AS5-RGS

2024-03-20

R412009113

Dimensions in mm

| Part No. | A1 | A2 | A3 | B | C | D | E1 | F | G |
|------------|-------|-------|-------|----|-----|-----|----|-----|---------|
| R412009101 | G 3/4 | G 3/4 | G 1/4 | 85 | 103 | 109 | 75 | 112 | M50x1,5 |
| R412009103 | G 3/4 | G 3/4 | G 1/4 | 85 | 103 | 109 | 75 | 112 | M50x1,5 |
| R412009105 | G 3/4 | G 3/4 | G 1/4 | 85 | 103 | 109 | 75 | 112 | M50x1,5 |
| R412009107 | G 3/4 | G 3/4 | G 1/4 | 85 | 103 | 109 | 75 | 112 | M50x1,5 |
| R412009109 | G 3/4 | G 3/4 | G 1/4 | 85 | 103 | 109 | 75 | 112 | M50x1,5 |
| R412009111 | G 3/4 | G 3/4 | G 1/4 | 85 | 103 | 109 | 75 | 112 | M50x1,5 |
| R412009113 | G 1 | G 1 | G 1/4 | 85 | 103 | 109 | 75 | 112 | M50x1,5 |
| R412009115 | G 1 | G 1 | G 1/4 | 85 | 103 | 109 | 75 | 112 | M50x1,5 |
| R412009117 | G 1 | G 1 | G 1/4 | 85 | 103 | 109 | 75 | 112 | M50x1,5 |
| R412009119 | G 1 | G 1 | G 1/4 | 85 | 103 | 109 | 75 | 112 | M50x1,5 |
| R412009121 | G 1 | G 1 | G 1/4 | 85 | 103 | 109 | 75 | 112 | M50x1,5 |
| R412009123 | G 1 | G 1 | G 1/4 | 85 | 103 | 109 | 75 | 112 | M50x1,5 |
| R412009100 | G 3/4 | G 3/4 | G 1/4 | 85 | 103 | 109 | 75 | 112 | M50x1,5 |
| R412009102 | G 3/4 | G 3/4 | G 1/4 | 85 | 103 | 109 | 75 | 112 | M50x1,5 |
| R412009104 | G 3/4 | G 3/4 | G 1/4 | 85 | 103 | 109 | 75 | 112 | M50x1,5 |
| R412009106 | G 3/4 | G 3/4 | G 1/4 | 85 | 103 | 109 | 75 | 112 | M50x1,5 |
| R412009108 | G 3/4 | G 3/4 | G 1/4 | 85 | 103 | 109 | 75 | 112 | M50x1,5 |
| R412009110 | G 3/4 | G 3/4 | G 1/4 | 85 | 103 | 109 | 75 | 112 | M50x1,5 |
| R412009112 | G 1 | G 1 | G 1/4 | 85 | 103 | 109 | 75 | 112 | M50x1,5 |
| R412009114 | G 1 | G 1 | G 1/4 | 85 | 103 | 109 | 75 | 112 | M50x1,5 |
| R412009116 | G 1 | G 1 | G 1/4 | 85 | 103 | 109 | 75 | 112 | M50x1,5 |
| R412009118 | G 1 | G 1 | G 1/4 | 85 | 103 | 109 | 75 | 112 | M50x1,5 |
| R412009120 | G 1 | G 1 | G 1/4 | 85 | 103 | 109 | 75 | 112 | M50x1,5 |
| R412009122 | G 1 | G 1 | G 1/4 | 85 | 103 | 109 | 75 | 112 | M50x1,5 |

| Part No. | L1 | L2 | M | V | W |
|------------|----|----|----|----|----|
| R412009101 | 41 | 60 | 58 | 38 | 63 |
| R412009103 | 41 | 60 | 58 | 38 | 63 |
| R412009105 | 41 | 60 | 58 | 38 | 63 |
| R412009107 | 41 | 60 | 58 | 38 | 63 |
| R412009109 | 41 | 60 | 58 | 38 | 63 |
| R412009111 | 41 | 60 | 58 | 38 | 63 |
| R412009113 | 41 | 60 | 58 | 38 | 63 |
| R412009115 | 41 | 60 | 58 | 38 | 63 |
| R412009117 | 41 | 60 | 58 | 38 | 63 |
| R412009119 | 41 | 60 | 58 | 38 | 63 |
| R412009121 | 41 | 60 | 58 | 38 | 63 |
| R412009123 | 41 | 60 | 58 | 38 | 63 |
| R412009100 | 41 | 60 | 58 | 38 | 63 |
| R412009102 | 41 | 60 | 58 | 38 | 63 |
| R412009104 | 41 | 60 | 58 | 38 | 63 |
| R412009106 | 41 | 60 | 58 | 38 | 63 |

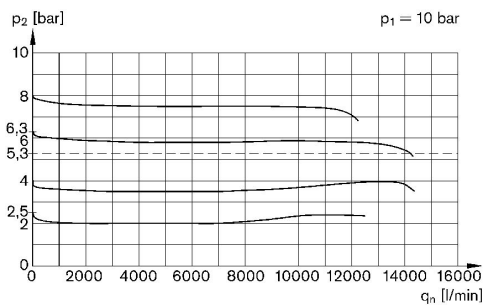
Pressure regulator, Series AS5-RGS

2024-03-20

R412009113

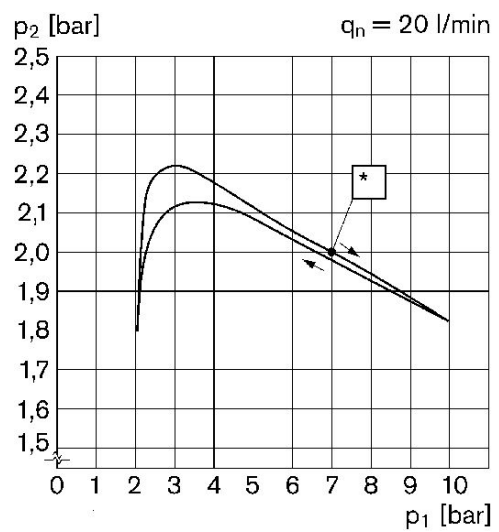
| Part No. | L1 | L2 | M | V | W |
|------------|----|----|----|----|----|
| R412009108 | 41 | 60 | 58 | 38 | 63 |
| R412009110 | 41 | 60 | 58 | 38 | 63 |
| R412009112 | 41 | 60 | 58 | 38 | 63 |
| R412009114 | 41 | 60 | 58 | 38 | 63 |
| R412009116 | 41 | 60 | 58 | 38 | 63 |
| R412009118 | 41 | 60 | 58 | 38 | 63 |
| R412009120 | 41 | 60 | 58 | 38 | 63 |
| R412009122 | 41 | 60 | 58 | 38 | 63 |

Flow rate characteristic (setting range
p2: 0.5 - 8 bar)



p1 = Working pressure
p2 = Secondary pressure
qn = Nominal flow

Pressure characteristics curve



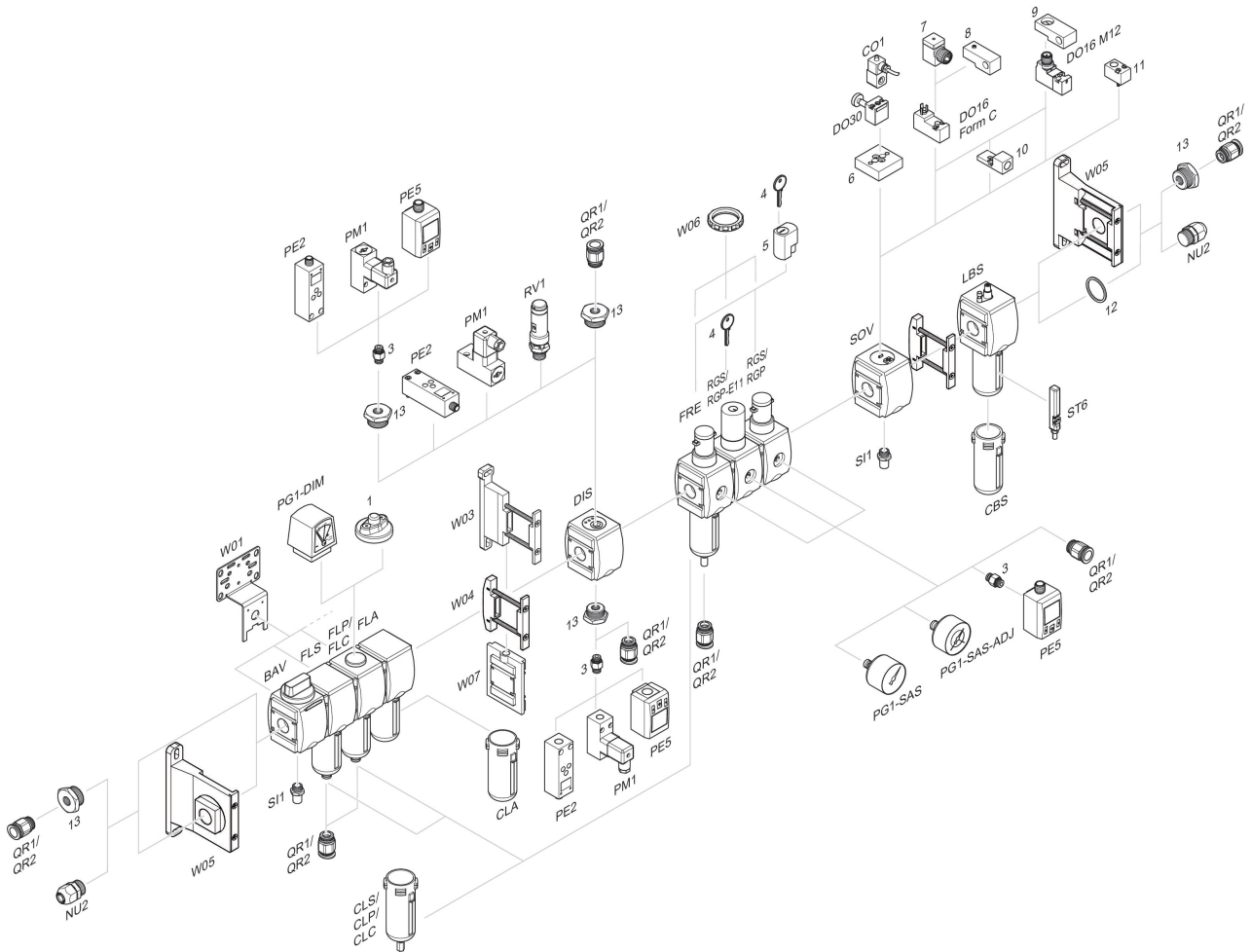
p1 = Working pressure
p2 = Secondary pressure
qn = Nominal flow
* starting point

Pressure regulator, Series AS5-RGS

2024-03-20

R412009113

Accessories overview



1 = contamination display 3 = Double nipple 4 = Key for E11 locking 5 = mortise lock 6 = Transition plate DO30 7 = Adapter, Series CON-VP 8 = Mounting aid DO16, form C 9 = Mounting aid DO16, M12 10 = Adapter for external pilot air 11 = Adapter pneumatic operation 12 = Sealing ring 13 = Reducing nipple