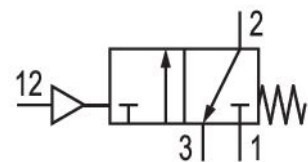


3/2-directional valve, pneumatically operated, Series AS5-SOV

R412009263

General series information Series AS5

- The AVENTICS Series AS5 is a modular, versatile maintenance unit for universal application. This Series offers compact dimensions, is highly efficient, lightweight and easy-to-use. The AVENTICS Series AS guarantees reliability, safety, and efficiency with a simplified assembly and maintenance efforts.



Technical data

Industry
Industrial

Activation
Pneumatically

Parts
3/2-directional valve

Nominal flow Qn
12500 l/min

Compressed air connection
G 1

Working pressure min.
0 bar

Working pressure max.
16 bar

Connection type
Pipe connection

Sealing principle
Soft Seal

Type
Poppet valve

Can be assembled into blocks
Can be assembled into blocks

Control pressure min.
2.5 bar

Control pressure max.
16 bar

Min. ambient temperature
-10 °C

Max. ambient temperature
50 °C

Medium
Compressed air

Neutral gases	Nominal flow Qn 1 to 2
Compressed air connection pilot exhaust G 1/8	12500 l/min
Compressed air connection, exhaust G 1/2	Nominal flow Qn 2 to 3 3700 l/min
	Weight 0.459 kg

Material

Housing material Polyamide	Material threaded bushing Die cast zinc
Seal material Acrylonitrile butadiene rubber	Part No. R412009263
Material, front cover Acrylonitrile butadiene styrene	

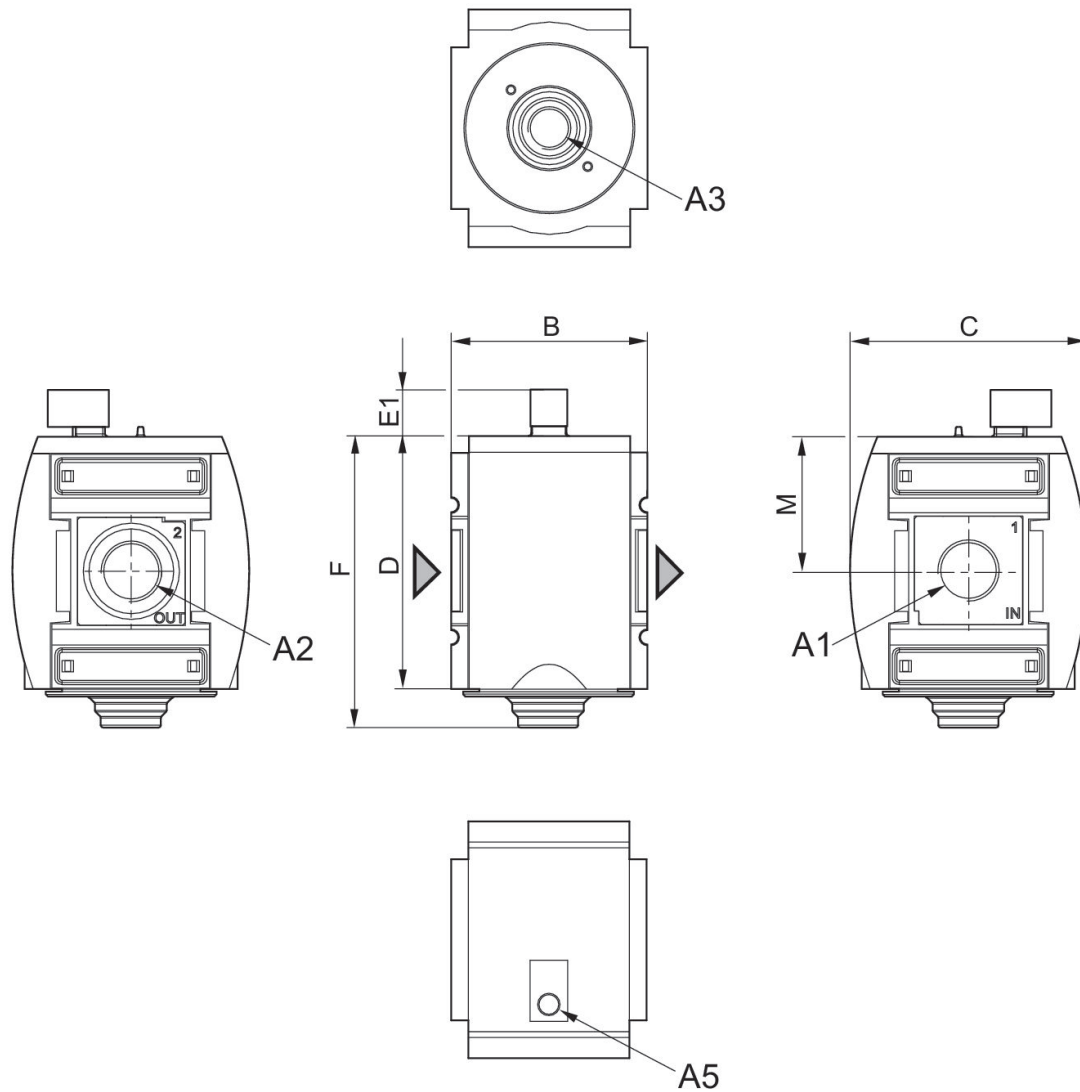
Technical information

The pressure dew point must be at least 15 °C under ambient and medium temperature and may not exceed 3 °C .

Nominal flow Qn with secondary pressure $p_2 = 6$ bar at $\Delta p = 1$ bar

A change in the flow direction (from air supply on the left to air supply on the right) occurs by rotating installation by 180° about the vertical axis. Please see the operating instructions for further details.

Dimensions



A1 = input A2 = output A3 = ventilation port A5 = control pressure connection

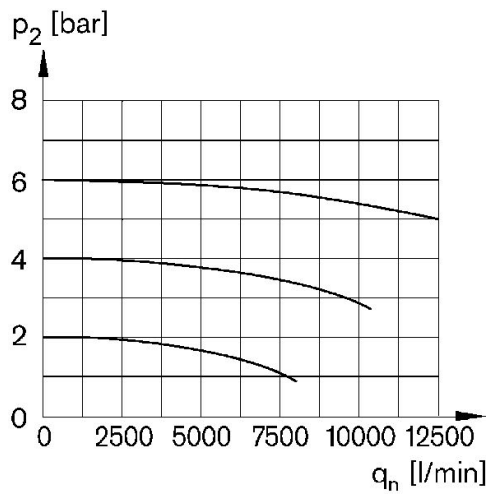
Dimensions in mm

Part No.	A1	A2	A3	A5	B	C	D	E1	F
R412009262	G 3/4	G 3/4	G 1/2	G 1/8	85	103	109	20.2	125
R412009263	G 1	G 1	G 1/2	G 1/8	85	103	109	20.2	125

Part No.	M				
R412009262	58				
R412009263	58				

Flow rate characteristic

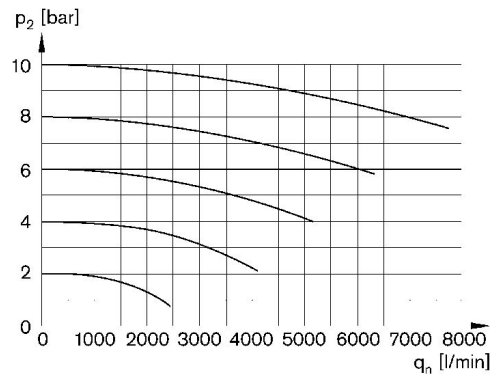
$p_2 = 0,05 - 7 \text{ bar}, 1 > 2$



p2 = Secondary pressure
qn = Nominal flow

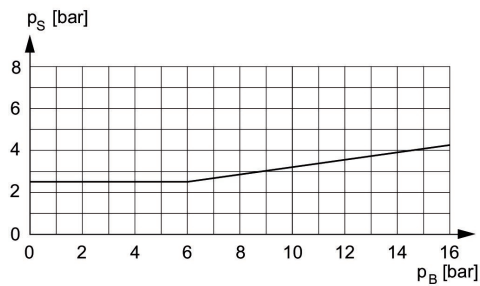
Rear exhaust

$2 > 3$



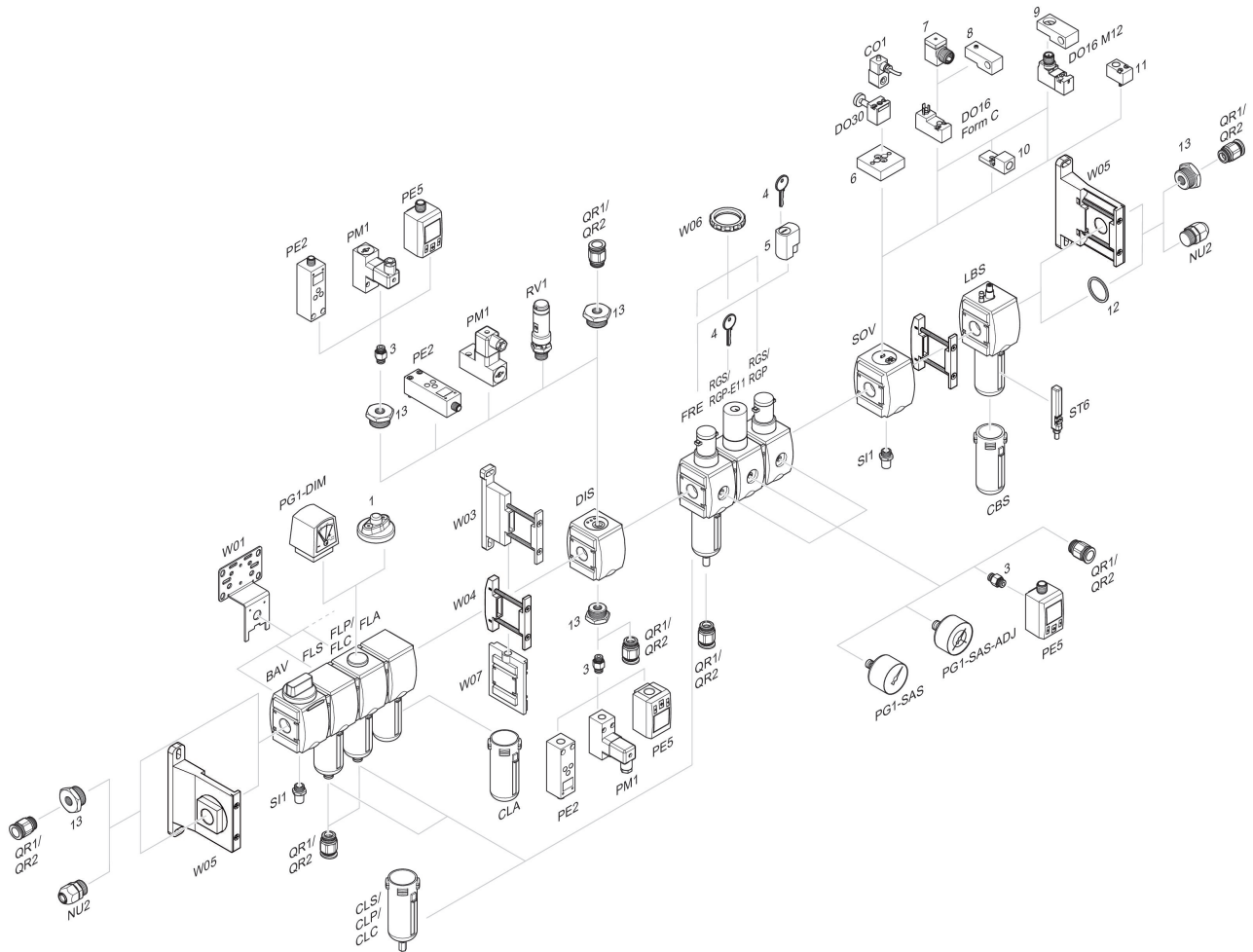
p2 = Secondary pressure
qn = Nominal flow

control pressure characteristic



minimum pilot pressure depending on working pressure
PS = control pressure
PB = Working pressure

Accessories overview



1 = contamination display 3 = Double nipple 4 = Key for E11 locking 5 = mortise lock 6 = Transition plate DO30 7 = Adapter, Series CON-VP 8 = Mounting aid DO16, form C 9 = Mounting aid DO16, M12 10 = Adapter for external pilot air 11 = Adapter pneumatic operation 12 = Sealing ring 13 = Reducing nipple