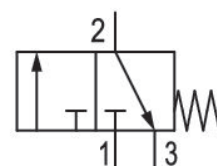


3/2-directional valve, electrically operated, Series AS5-SOV

R412009259

General series information Series AS5

- The AVENTICS Series AS5 is a modular, versatile maintenance unit for universal application. This Series offers compact dimensions, is highly efficient, lightweight and easy-to-use. The AVENTICS Series AS guarantees reliability, safety, and efficiency with a simplified assembly and maintenance efforts.



Technical data

Industry

Industrial

Activation

Electrically

Nominal flow Qn

12500 l/min

Compressed air connection

G 1

Working pressure min.

2.5 bar

Working pressure max

16 bar

Sealing principle

soft seal

Connection type

Pipe connection

Parts

3/2-directional valve

Can be assembled into blocks

Can be assembled into blocks

basic valve with electrical connector

Basic valve without pilot valve, with CNOMO subbase

Type

Poppet valve

Min. ambient temperature	-10 °C
Max. ambient temperature	50 °C
Medium	Compressed air Neutral gases
Max. particle size	5 µm
Compressed air connection, exhaust	G 1/2
Nominal flow Qn 1 to 2	12500 l/min
Nominal flow Qn 2 to 3	3700 l/min
Weight	0.62 kg

Material

Housing material	Polyamide
Seal material	Acrylonitrile butadiene rubber
Material threaded bushing	Die cast zinc
Material front plate	Acrylonitrile butadiene styrene
Part No.	R412009259

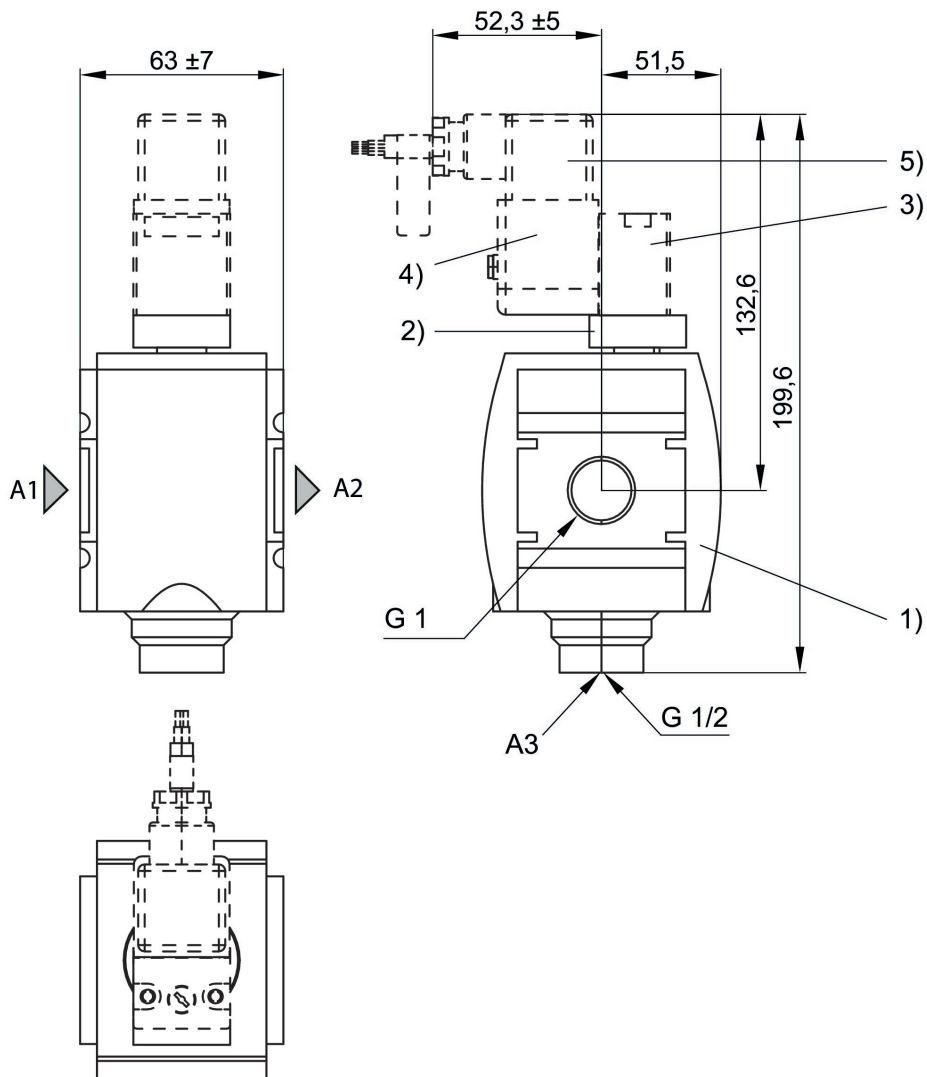
Technical information

The pressure dew point must be at least 15 °C less than ambient and medium temperature and may not exceed 3 °C.

Nominal flow Qn with secondary pressure p2 = 6 bar at $\Delta p = 1$ bar

A change in the flow direction (from air supply on the left to air supply on the right) occurs by rotating installation by 180° about the vertical axis. Please see the operating instructions for further details.

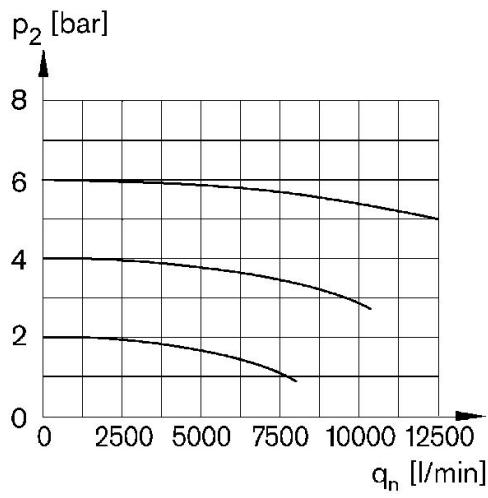
Dimensions in mm



- A1 = input A2 = output
A3 = ventilation port
1) Shut-off valve
2) Transition plate
3) Pilot valve
4) Coil
5) Valve plug connector
See accessories for pilot valve and coil

Flow rate characteristic

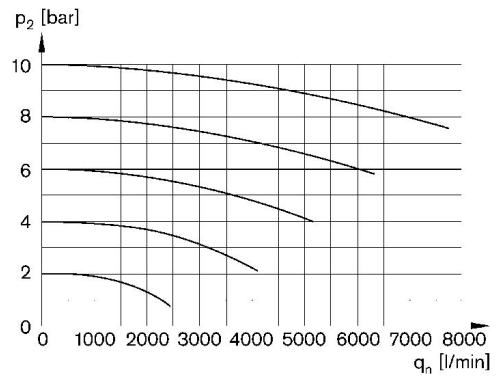
$p_2 = 0,05 - 7 \text{ bar}, 1 > 2$



p_2 = Secondary pressure
 q_n = Nominal flow

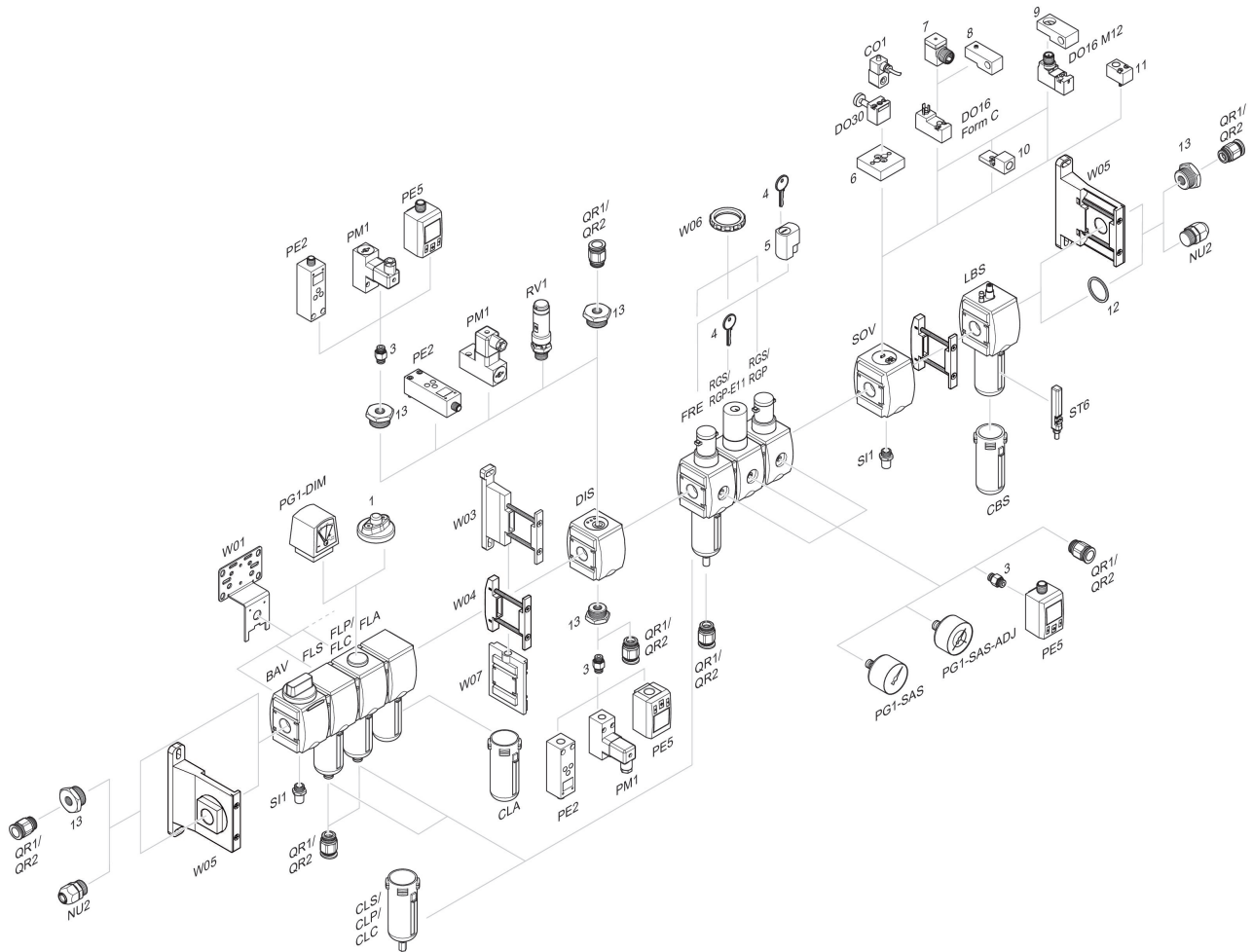
Rear exhaust

$2 > 3$



p_2 = Secondary pressure
 q_n = Nominal flow

Accessories overview



1 = contamination display 3 = Double nipple 4 = Key for E11 locking 5 = mortise lock 6 = Transition plate DO30 7 = Adapter, Series CON-VP 8 = Mounting aid DO16, form C 9 = Mounting aid DO16, M12 10 = Adapter for external pilot air 11 = Adapter pneumatic operation 12 = Sealing ring 13 = Reducing nipple