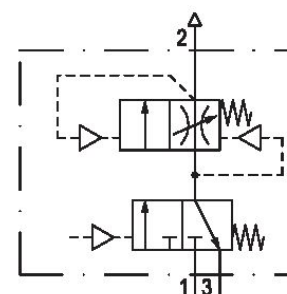


Filling unit, pneumatically operated, Series AS5-SSU

R412009281

General series information Series AS5

- The AVENTICS Series AS5 is a modular, versatile maintenance unit for universal application. This Series offers compact dimensions, is highly efficient, lightweight and easy-to-use. The AVENTICS Series AS guarantees reliability, safety, and efficiency with a simplified assembly and maintenance efforts.



Technical data

Industry
Industrial

Type
adjustable filling time

Activation
Pneumatically

Parts
3/2-directional valve
Filling valve

Nominal flow Qn
8750 l/min

Compressed air connection
G 1

Working pressure min.
0 bar

Working pressure max
16 bar

Connection type
Pipe connection

Sealing principle
Soft Seal

Type
Poppet valve

Pilot
Internal

| | |
|--|--|
| Can be assembled into blocks Can be assembled into blocks | Max. particle size 40 µm |
| Control pressure min. 2.5 bar | Compressed air connection pilot exhaust G 1/8 |
| Control pressure max. 16 bar | Compressed air connection, exhaust G 1/2 |
| Min. ambient temperature -10 °C | Nominal flow Qn 1 to 2 8750 l/min |
| Max. ambient temperature 50 °C | Nominal flow Qn 2 to 3 3700 l/min |
| Medium Compressed air Neutral gases | Weight 0.924 kg |

Material

| | |
|--|--|
| Housing material Polyamide | Material threaded bushing Die cast zinc |
| Seal material Acrylonitrile butadiene rubber | Part No. R412009281 |
| Material, front cover Acrylonitrile butadiene styrene | |

Technical information

The pressure dew point must be at least 15 °C under ambient and medium temperature and may not exceed 3 °C .

Nominal flow Qn with secondary pressure $p_2 = 6$ bar at $\Delta p = 1$ bar

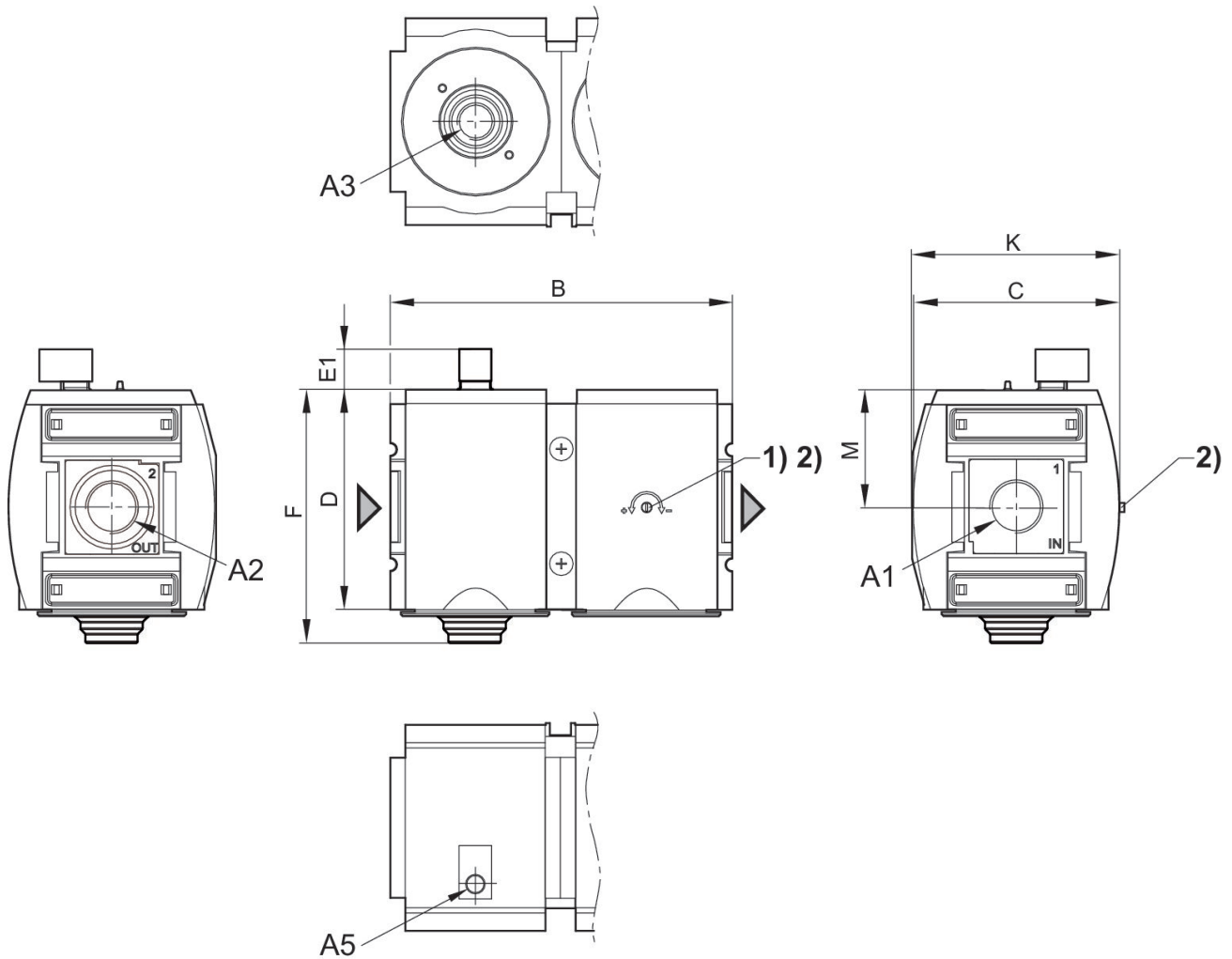
A change in the flow direction (from air supply on the left to air supply on the right) occurs by rotating installation by 180° about the vertical axis. Please see the operating instructions for further details.

The filling valve builds up pressure slowly in the pneumatic systems, i.e. prevents a sudden pressure build-up during a recommissioning after a mains pressure failure or avoids emergency OFF switching. This allows dangerous abrupt cylinder motions to be avoided.

Do not position filling valves or filling units upstream of open consumers, such as nozzles, air barriers, air curtains, since these may prevent through connection of components.

adjustable filling time

Dimensions



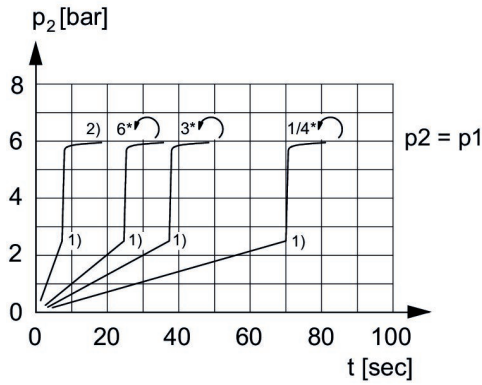
A1 = input A2 = output A3 = ventilation port A5 = control pressure connection
1) Adjustment screw for filling time
2) Adjustment screw lock

Dimensions in mm

| Part No. | A1 | A2 | A3 | A5 | B | C | D | E1 | F |
|------------|-------|-------|-------|-------|-----|-----|-----|------|-----|
| R412009276 | G 3/4 | G 3/4 | G 1/2 | G 1/8 | 170 | 103 | 109 | 20.2 | 125 |
| R412009281 | G 1 | G 1 | G 1/2 | G 1/8 | 170 | 103 | 109 | 20.2 | 125 |
| R412009289 | G 1 | G 1 | G 1/2 | G 1/8 | 170 | 103 | 109 | 20.2 | 125 |

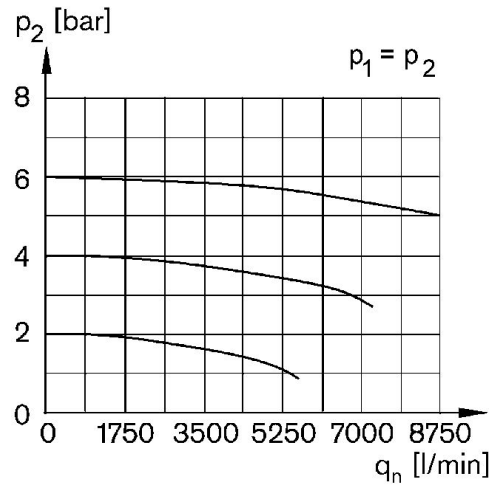
| Part No. | K | M |
|------------|-------|----|
| R412009276 | 103.5 | 58 |
| R412009281 | 103.5 | 58 |
| R412009289 | 103.5 | 58 |

Secondary pressure while filling



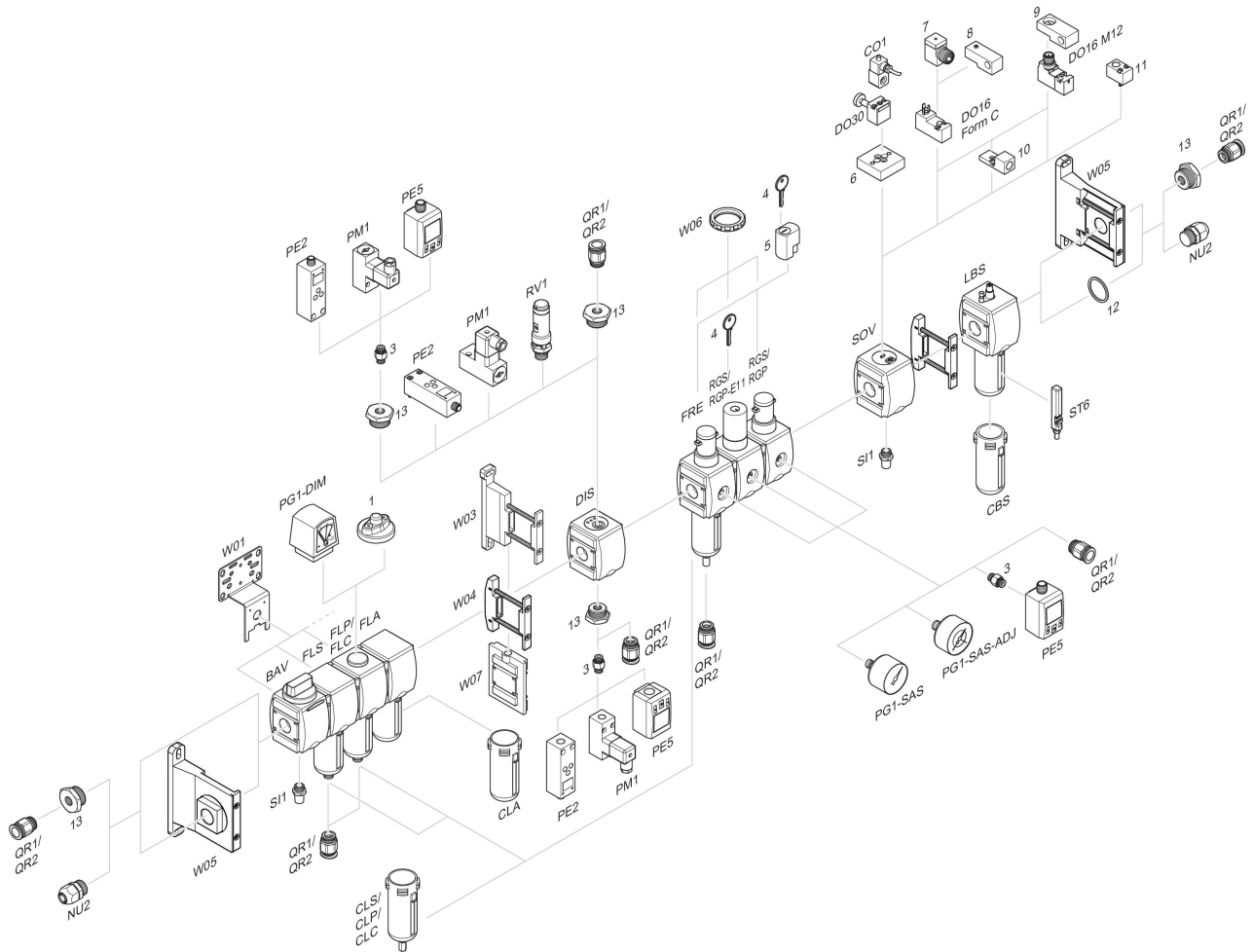
- p1 = Working pressure
- p2 = Secondary pressure
- t = filling time, adjustable via adjustment screw (throttle)
- 1) Switching point: adjustable filling time, fixed change-over pressure $\approx 0.5 \times p_1$ (50%)
- 2) Throttle fully opened
- * Adjustment screw rotations

Flow rate characteristic, $p_2 = 0,05 - 7$ bar



p1 = Working pressure p2 = Secondary pressure qn = Nominal flow

Accessories overview



1 = contamination display 3 = Double nipple 4 = Key for E11 locking 5 = mortise lock 6 = Transition plate DO30 7 = Adapter, Series CON-VP 8 = Mounting aid DO16, form C 9 = Mounting aid DO16, M12 10 = Adapter for external pilot air 11 = Adapter pneumatic operation 12 = Sealing ring 13 = Reducing nipple