

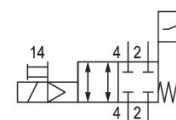
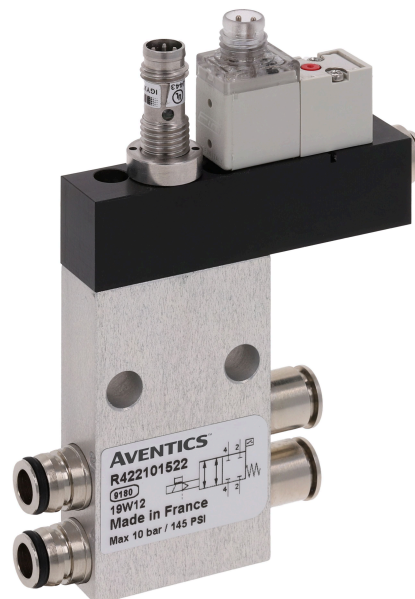
Shut-off module, Series AV

R422101518

blocking
valves

2024-05-28

Shut-off module, Series AV



Technical data

Industry	Industrial
Activation	Electrically
Min. control pressure	3.5 bar
Max. control pressure	7 bar
Min. operating voltage DC	10 V DC
Max. operating voltage DC	30 V DC
Type sensor	PNP
Sensor connection	M8x1
Voltage drop U at I _{max}	≤ 2,5 V
Protection class sensor	IP65
Operational voltage pilot valve	24 V DC
Voltage tolerance DC	-10 % / +10 %
Power consumption	1.3 W
Display: LED	Yellow
Protection class pilot valve	IP67
Compressed air connection type input	push-in fitting
Nominal flow Q _n	400 l/min
Type	Spool valve, positive overlapping
Port 2 / 4	Ø 6

Shut-off module, Series AV

R422101518

blocking
valves

2024-05-28

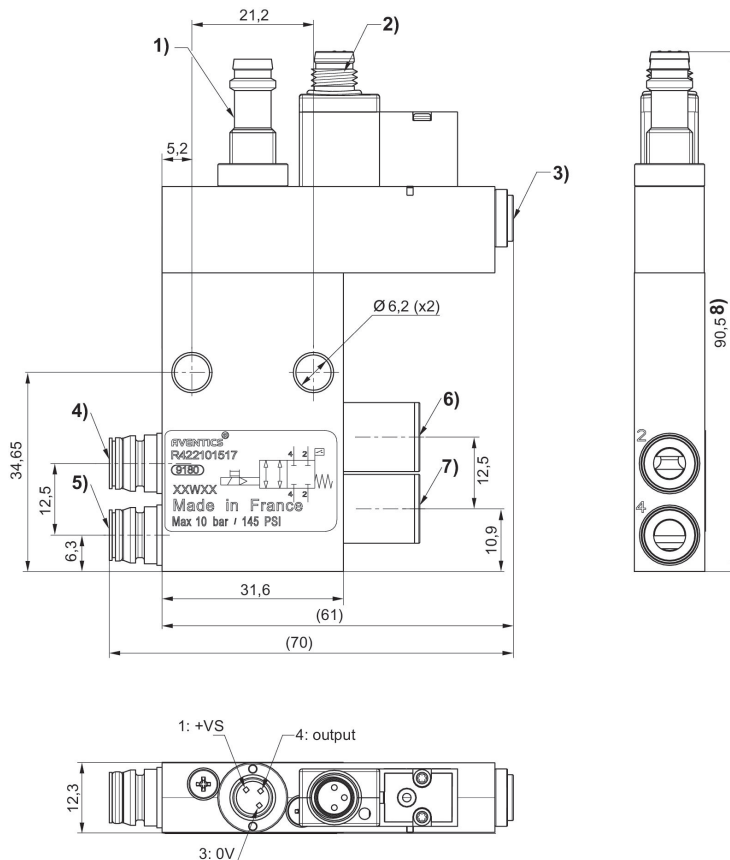
Compressed air connection 12 (Exhaust)	Ø 4
Min. working pressure	0 bar
Max. working pressure	10 bar
Min. ambient temperature	0 °C
Max. ambient temperature	50 °C
Min. medium temperature	0 °C
Max. medium temperature	50 °C
Medium	Compressed air
Weight	0.111 kg
Housing material	Aluminum
Seal material	Nitrile butadiene rubber
Part No.	R422101518

Technical information

A duty cycle of 100% is only valid for valves mounted separately.

In the non-actuated state, the sensor signal is “high”

Dimensions



1) Sensor plug M8, 3-pin

Shut-off module, Series AV

R422101518

blocking
valves

2024-05-28

electronic PNP

The orientation of the pins depends on the angular position of the sensor, which is random.

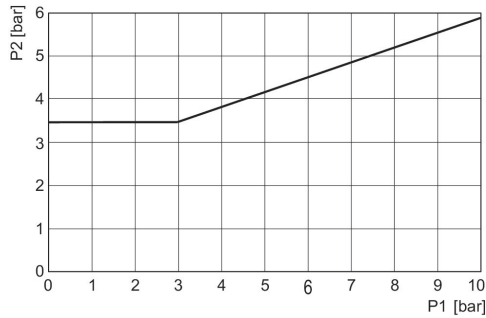
2) Pilot valve connection

3) Pilot air supply

4) Connection 2, valve side 5) Connection 4, valve side 6) Operating line 2 7) Operating line 4

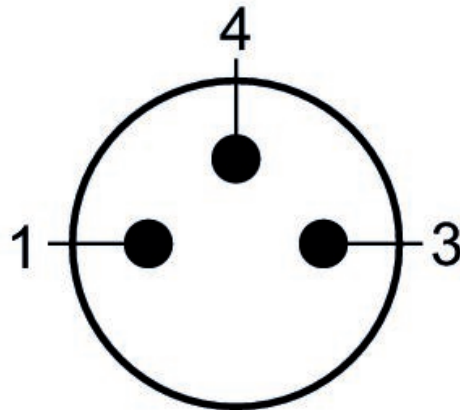
Pneumatic connection to base plate valves, suitable for all sizes in the AV03 and AV05 series

Minimum control pressure (depending on operating pressure)



p1 = pressure on connections 2 and 4, p2 = control pressure

Pilot valve pin assignment M8x1 (3-pin)



(1) BN=brown (3) BU=blue (4) BK=black

Sensor circuit diagram

