

# Shut-off module, stand-alone

## R422101522

Shut-off module, Series AV



### Technical data

Industry  
Industrial

Activation  
Electrically

Control pressure min.  
3.5 bar

Control pressure max.  
7 bar

Operating voltage DC, min.  
10 V DC

Operating voltage DC, max.  
30 V DC

Type sensor  
PNP

Sensor connection  
M8x1

Voltage drop U at I<sub>max</sub>  
≤ 2,5 V

Protection class sensor  
IP65

Operational voltage pilot valve  
24 V DC

Voltage tolerance DC  
-10% / +10%

Power consumption  
1.3 W

Display: LED  
Yellow

Protection class pilot valve  
IP67

Compressed air connection input  
Ø 6

Nominal flow Q<sub>n</sub>  
400 l/min

Type  
Spool valve, positive overlapping

Port 2 / 4  
Ø 6

Compressed air connection 12 (Exhaust)  
Ø 4

Working pressure min.  
0 bar

Working pressure max  
10 bar

Min. ambient temperature  
0 °C  
Max. ambient temperature  
50 °C  
Min. medium temperature  
0 °C  
Max. medium temperature  
50 °C

Medium  
Compressed air  
Housing material  
Aluminum  
Seal material  
Nitrile butadiene rubber  
Part No.  
R422101522

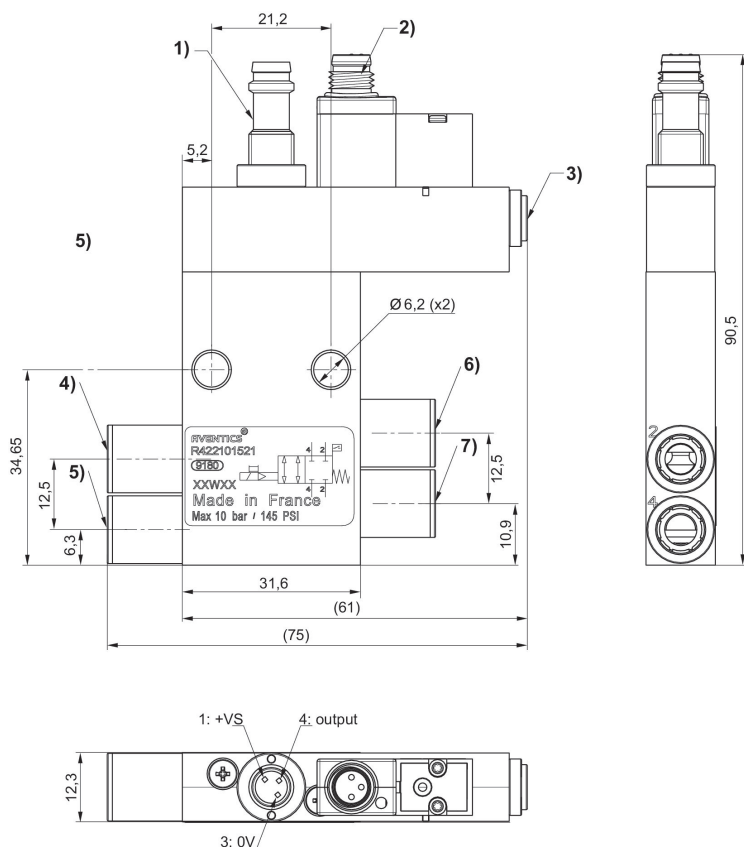
## Technical information

In the non-actuated state, the sensor signal is “high”

A duty cycle of 100% is only valid for valves mounted separately.

For push-in fittings, only use plug accessories made of plastic (polyamide) from our catalog.

## Dimensions



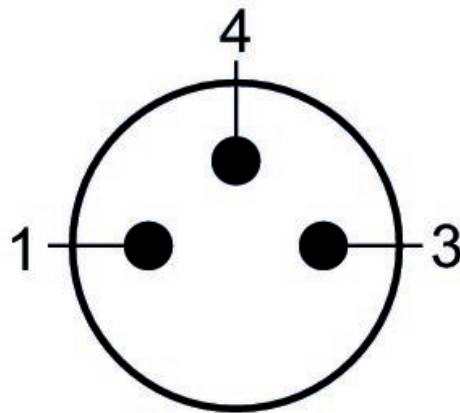
- 1) Sensor plug M8, 3-pin electronic PNP  
The orientation of the pins depends on the angular position of the sensor, which is random.  
4) Fittings  
5) Pilot air supply  
4) Connection 2, Input-side 5) Connection 4, Input-side 6) Operating line 2 7) Operating line 4

### Minimum control pressure (depending on operating pressure)



p1 = pressure on connections 2 and 4, p2 = control pressure

### Pilot valve pin assignment M8x1 (3-pin)



(1) BN=brown (3) BU=blue (4) BK=black

### Sensor circuit diagram

