

# Series BCC

R414000188

AVENTICS  
Series BCC  
Bellow  
actuators

2024-03-15

## AVENTICS Series BCC Bellow actuators

The AVENTICS Series BCC cylinders are bellow cylinders with removable mounting parts. Users have the option of replacing the rubber bellows themselves. Mounting via internal thread or threaded bolt.



## Technical data

Industry	Industrial
Bellows	double
Type	Bellow actuator with mounting ring and cover
Functional principle	Single-acting, retracted without pressure
Compressed air connection	G 3/8
Cover diameter	110 mm
Feature	4 1/2x2
Max. permissible angle of tilt	25 °
Max. effective stroke	75 mm
Min. radial installation space	140 mm
Min. installation height	65 mm
Max. installation height	140 mm
Min. force	2400 N
Max. force	5700 N
Min. working pressure	0 bar
Max. working pressure	8 bar
Min. ambient temperature	-30 °C
Max. ambient temperature	90 °C
Medium	Compressed air

# Series BCC

R414000188

AVENTICS  
Series BCC  
Bellow  
actuators

2024-03-15

Reduced service life at a temperature greater than 70 °C

Pressure for determining forces 6 bar

Weight 1 kg

## Material

Material bellow Chloroprene rubber

Material front cover Aluminum

Part No. R414000188

## Technical information

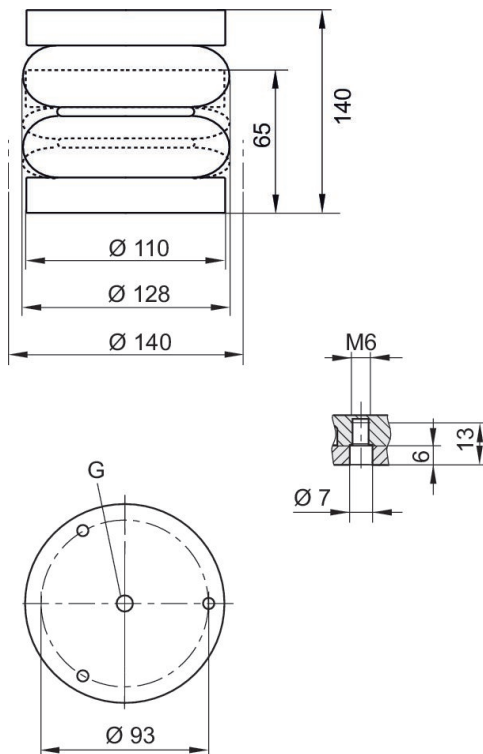
Compliance with the minimum height  $H_{min}$ . as well as the maximum height  $H_{max}$ . must be ensured with end stops.

Use at operating height  $\geq H_{max}$ : only permitted upon approval by AVENTICS

Further information on vibration isolation can be found in the "Technical information" document (available in the MediaCentre).

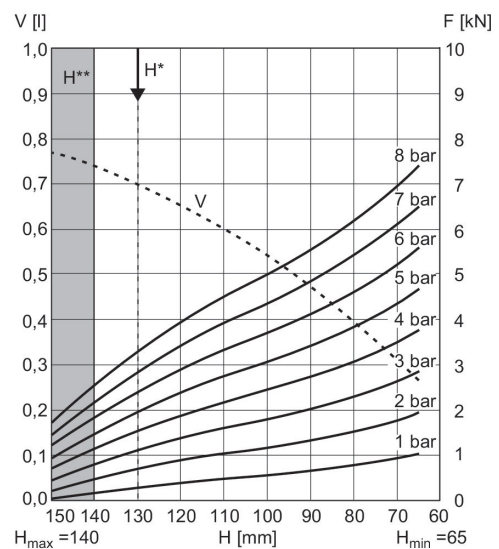
The bellow can be exchanged.

## Dimensions



## Force-displacement diagram

R414000188



$V$  = volume  $H$  = height  $H^*$  = recommended operating height for vibration isolation  $H^{**}$  = use permitted only upon approval by AVENTICS  
1 kN = 1000 N