

# Series BCC

R412020585

AVENTICS  
Series BCC  
Bellow  
actuators

2024-03-15

## AVENTICS Series BCC Bellow actuators

The AVENTICS Series BCC cylinders are bellow cylinders with removable mounting parts. Users have the option of replacing the rubber bellows themselves. Mounting via internal thread or threaded bolt.



## Technical data

|                                |  |
|--------------------------------|--|
| Industry                       | Industrial                                   |
| Bellows                        | single                                       |
| Type                           | Bellow actuator with mounting ring and cover |
| Functional principle           | Single-acting, retracted without pressure    |
| Compressed air connection      | G 1/2  |
| Cover diameter                 | 153.5 mm                                     |
| Feature                        | 6x1  |
| Max. permissible angle of tilt | 20 °   |
| Max. effective stroke          | 45 mm  |
| Min. radial installation space | 190 mm                                       |
| Min. installation height       | 50 mm  |
| Max. installation height       | 95 mm  |
| Min. force                     | 4900 N                                       |
| Max. force                     | 11200 N                                      |
| Min. working pressure          | 0 bar  |
| Max. working pressure          | 8 bar  |
| Min. ambient temperature       | -30 °C                                       |
| Max. ambient temperature       | 90 °C  |
| Medium                         | Compressed air                               |

# Series BCC

R412020585

AVENTICS  
Series BCC  
Bellow  
actuators

2024-03-15

Reduced service life at a temperature greater than 70 °C

---

Pressure for determining forces 6 bar  
Weight 2.5 kg

## Material

Material bellow Chloroprene rubber  
Material front cover Steel, chrome-plated  
Surface cover galvanized  
Part No. R412020585

## Technical information

Compliance with the minimum height H min. as well as the maximum height H max. must be ensured with end stops.

Use at operating height  $\geq H_{max}$ : only permitted upon approval by AVENTICS

Further information on vibration isolation can be found in the "Technical information" document (available in the MediaCentre).

The bellow can be exchanged.

The pressure dew point must be at least 15 °C less than ambient and medium temperature and may not exceed 3 °C.

The oil content of compressed air must remain constant during the life cycle.

Use only the approved oils from AVENTICS. Further information can be found in the "Technical information" document (available in <https://www.emerson.com/en-us/support>).

## Dimensions

# Series BCC

R412020585

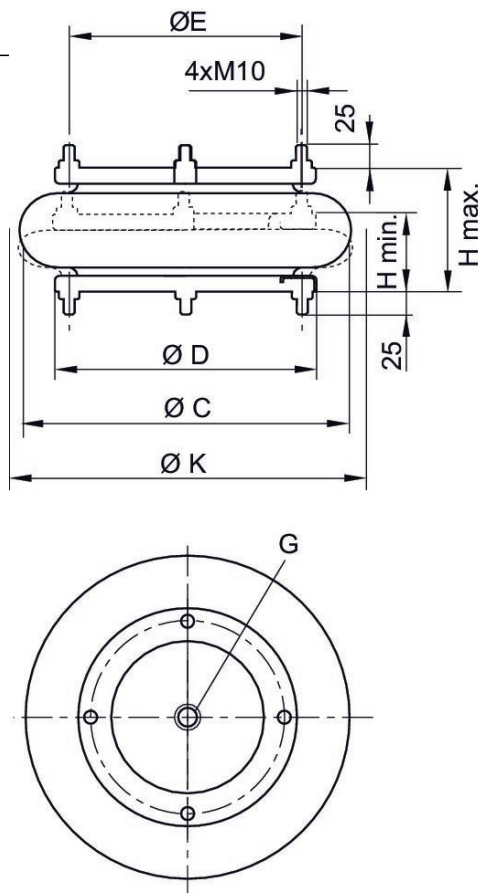
AVENTICS

Series BCC

Bellow

actuators

2024-03-15



| Part No.   | Compressed air connection | H min. | H max. | C   | D   | E     | K   | Min. re-<br>turn force |
|------------|---------------------------|--------|--------|-----|-----|-------|-----|------------------------|
| R412020590 | G 1/2                     | 50     | 175    | 420 | 310 | 282.5 | 445 | 30                     |

| Part No.   | Compressed air connection | H min. | H max. | C   | D   | E     | K   | Min. re-<br>turn force |
|------------|---------------------------|--------|--------|-----|-----|-------|-----|------------------------|
| R412020589 | G 1/2                     | 50     | 150    | 400 | 310 | 282.5 | 425 | 230                    |

| Part No.   | Compressed air connection | H min. | H max. | C   | D   | E   | K   | Min. re-<br>turn force |
|------------|---------------------------|--------|--------|-----|-----|-----|-----|------------------------|
| R412020588 | G 1/2                     | 50     | 135    | 330 | 260 | 232 | 350 | 200                    |

| Part No.   | Compressed air connection | H min. | H max. | C   | D   | E   | K   | Min. re-<br>turn force |
|------------|---------------------------|--------|--------|-----|-----|-----|-----|------------------------|
| R412020587 | G 1/2                     | 50     | 135    | 270 | 210 | 181 | 300 | 150                    |

# Series BCC

R412020585

AVENTICS  
Series BCC  
Bellow  
actuators

2024-03-15

---

| Part No.   | Compressed air connection | H min. | H max. | C   | D   | E     | K   | Min. re-<br>turn force |
|------------|---------------------------|--------|--------|-----|-----|-------|-----|------------------------|
| R412020586 | G 1/2                     | 50     | 115    | 230 | 184 | 155.5 | 245 | 290                    |

| Part No.   | Compressed air connection G | H min. | H max. | C   | D     | E   | K   | Min. re-<br>turn force |
|------------|-----------------------------|--------|--------|-----|-------|-----|-----|------------------------|
| R412020585 | G 1/2                       | 50     | 95     | 175 | 153,5 | 127 | 190 | 320                    |