

Series BCC

R414000177

AVENTICS
Series BCC
Bellow
actuators

2024-03-15

AVENTICS Series BCC Bellow actuators

The AVENTICS Series BCC cylinders are bellow cylinders with removable mounting parts. Users have the option of replacing the rubber bellows themselves. Mounting via internal thread or threaded bolt.



Technical data

Industry	Industrial
Bellows	single
Type	Bellow actuator with mounting ring and cover
Functional principle	Single-acting, retracted without pressure
Compressed air connection	G 1/2
Cover diameter	152.5 mm
Feature	6x1
Max. permissible angle of tilt	20 °
Max. effective stroke	50 mm
Min. radial installation space	190 mm
Min. installation height	55 mm
Max. installation height	105 mm
Min. force	4900 N
Max. force	11900 N
Min. working pressure	0 bar
Max. working pressure	8 bar
Min. ambient temperature	-30 °C
Max. ambient temperature	90 °C
Medium	Compressed air

Series BCC

R414000177

AVENTICS
Series BCC
Bellow
actuators

2024-03-15

Reduced service life at a temperature greater than 70 °C

Pressure for determining forces 6 bar
Weight 1.6 kg

Material

Material bellow Chloroprene rubber
Material front cover Aluminum
Part No. R414000177

Technical information

Compliance with the minimum height H min. as well as the maximum height H max. must be ensured with end stops.

Use at operating height $\geq H_{max}$: only permitted upon approval by AVENTICS

Further information on vibration isolation can be found in the "Technical information" document (available in the MediaCentre).

The bellow can be exchanged.

The pressure dew point must be at least 15 °C less than ambient and medium temperature and may not exceed 3 °C.

The oil content of compressed air must remain constant during the life cycle.

Use only the approved oils from AVENTICS. Further information can be found in the "Technical information" document (available in <https://www.emerson.com/en-us/support>).

Series BCC

R414000177

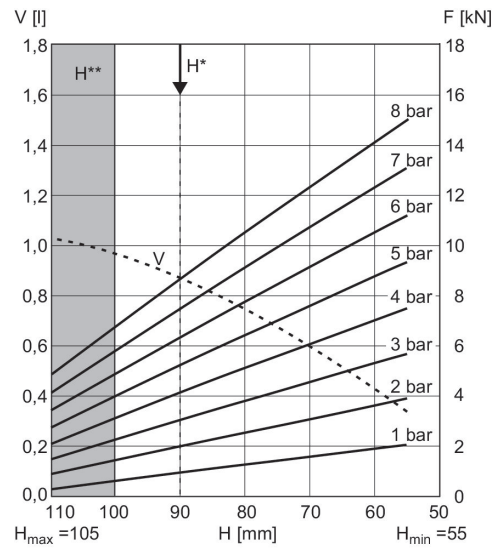
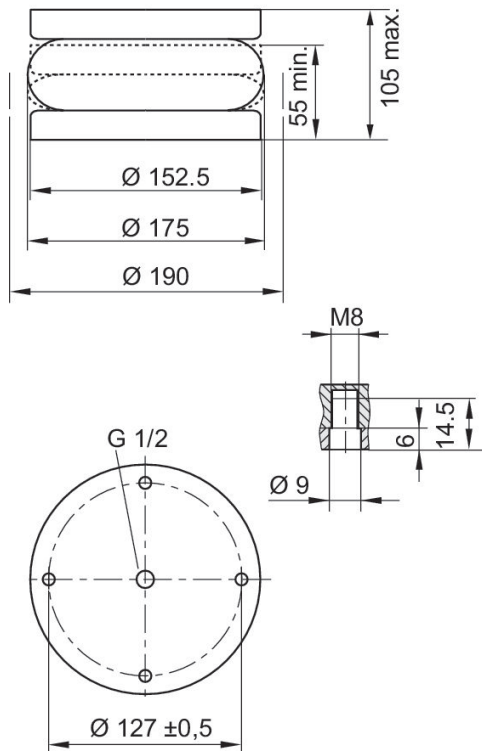
AVENTICS
Series BCC
Bellow
actuators

Dimensions

Force-displacement diagram

R414000177

2024-03-15



V = volume H = height H* = recommended operating height for vibration isolation H** = use permitted only upon approval by AVENTICS
1 kN = 1000 N